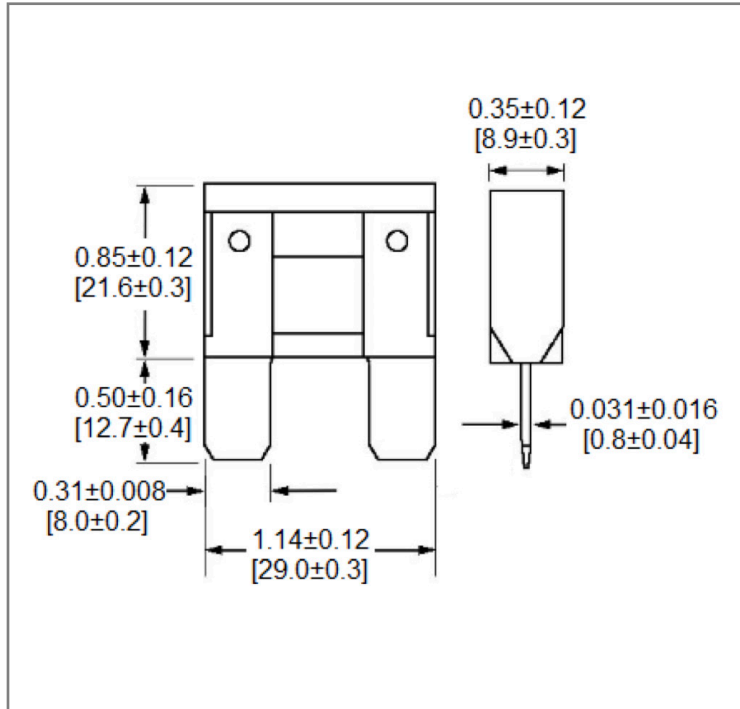
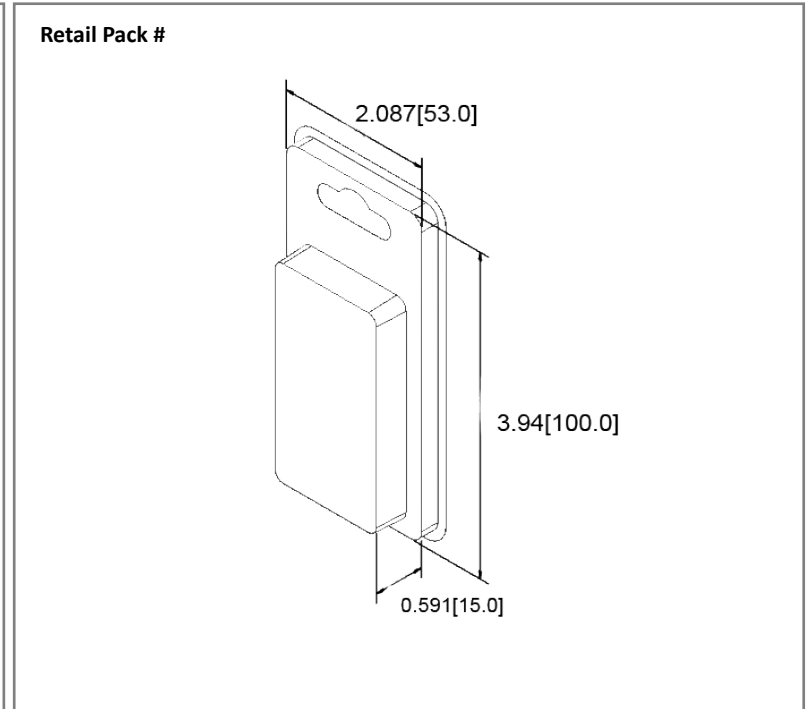


Mechanical Dimensions: Inches [mm]



Retail Pack: Inches [mm]



Part Numbers Information

Amperage	Body Color	Bulk Part #	Retail Pack # Blister Card	Pack Size
20A	Yellow	ANX-20A	ANX-20A-BP	1
30A	Green	ANX-30A	ANX-30A-BP	1
40A	Orange	ANX-40A	ANX-40A-BP	1
50A	Red	ANX-50A	ANX-50A-BP	1
60A	Blue	ANX-60A	ANX-60A-BP	1
70A	Tan	ANX-70A	ANX-70A-BP	1
80A	Clear	ANX-80A	ANX-80A-BP	1
100A	Violet	ANX-100A	-	-

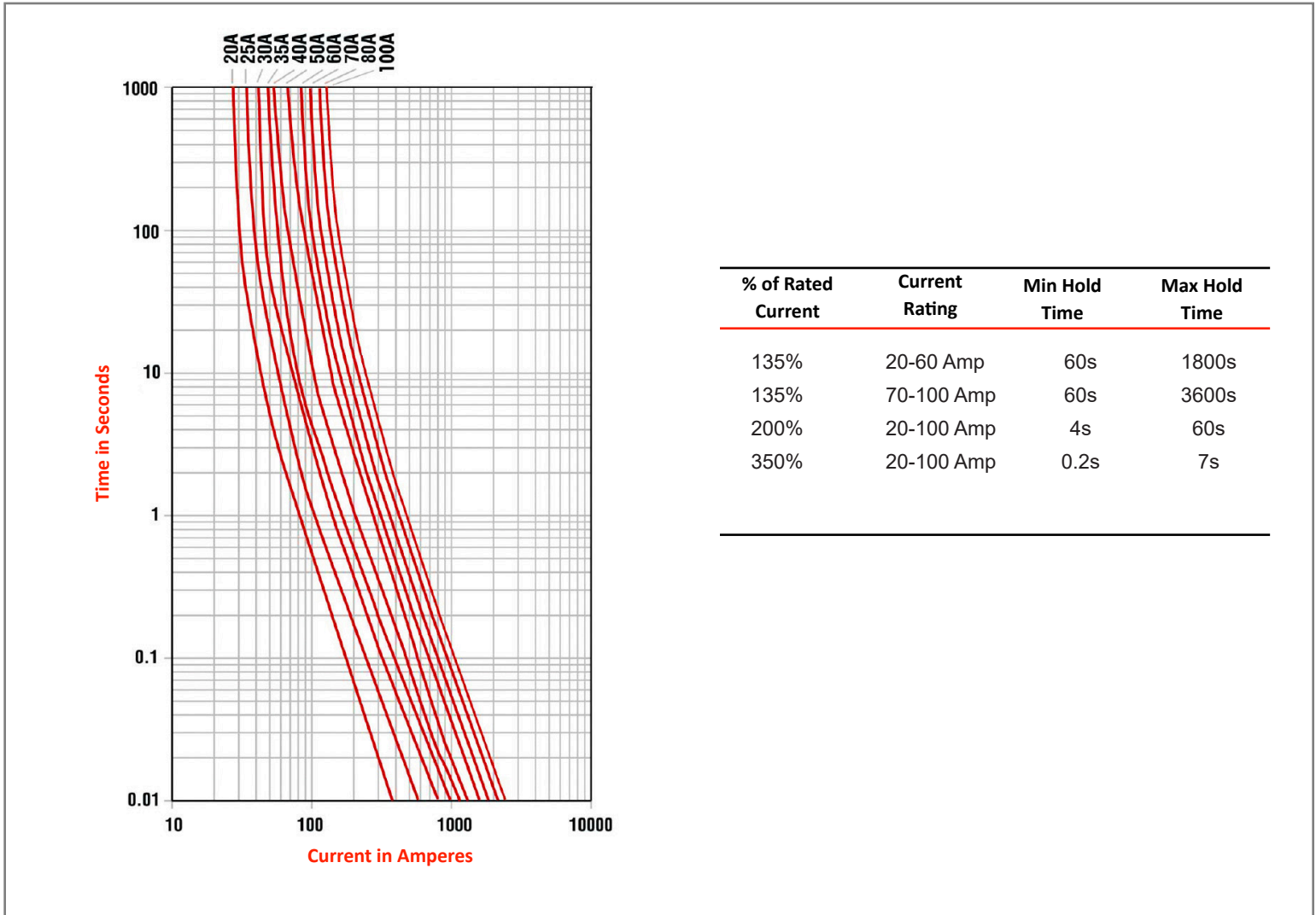
Electrical Specifications

Voltage Rating	32V DC
Interrupting Rating	1000A @ 32 VDC
Testing	SAE, ISO 8820

Material Specifications

Body	PA 66
Terminals	Zinc Alloy

Time vs. Percent of Rated Current



Rev Date of issue Revision Notes

Designed Approved

C	05-22-2023	Initial Drawing	RC	OF
---	------------	-----------------	----	----