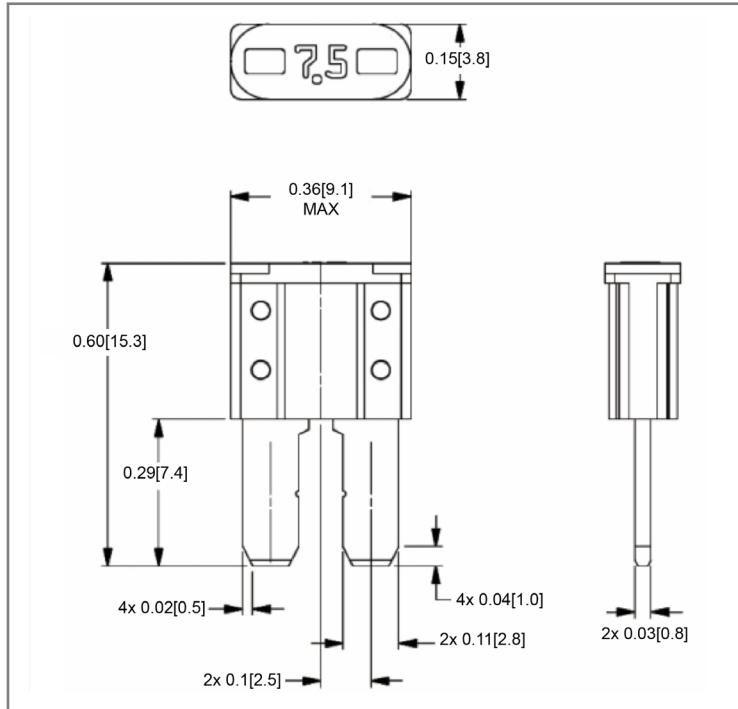
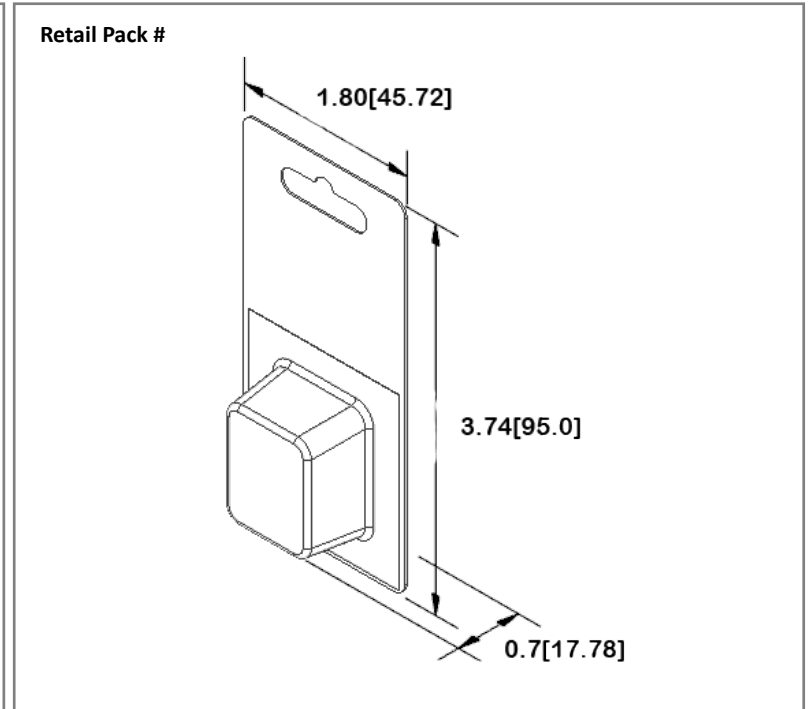


Mechanical Dimensions: Inches [mm]



Retail Pack: Inches [mm]



Part Numbers Information

Amperage	Body Color	Bulk Part #	Retail Pack # Blister Card	Pack Size
3A	Violet	ANT-I-3A	-	-
4A	Pink	ANT-I-4A	-	-
5A	Tan	ANT-I-5A	ANT-I-5A-BP	2
7.5A	Brown	ANT-I-7.5A	ANT-I-7.5A-BP	2
10A	Red	ANT-I-10A	ANT-I-10A-BP	2
15A	Blue	ANT-I-15A	ANT-I-15A-BP	2
20A	Yellow	ANT-I-20A	ANT-I-20A-BP	2
25A	Clear	ANT-I-25A	ANT-I-25A-BP	2
30A	Green	ANT-I-30A	ANT-I-30A-BP	2

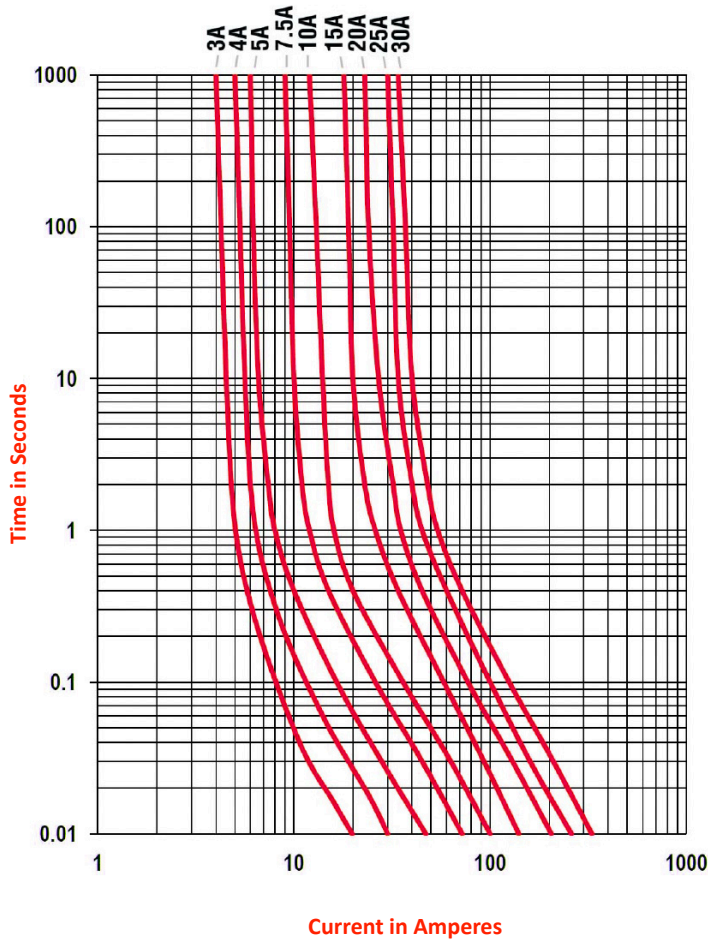
Electrical Specifications

Voltage Rating	32V DC
Interrupting Rating	1000A @ 32 VDC
Testing	SAE, ISO 8820

Material Specifications

Body	PA 66
Terminals	Zinc Alloy
Indicating LED when fuse is opened	

Time vs. Percent of Rated Current



% of Rated Current	Current Rating	Min Hold Time	Max Hold Time
110%	3-30 Amp	100hr	-
135%	5-30 Amp	0.75s	120s
160%	3-30 Amp	0.3s	50s
200%	3-30 Amp	0.15s	5s
350%	5-30 Amp	0.04s	0.5s

Rev Date of issue Revision Notes

Designed Approved

C	05-22-2023	Initial Drawing	RC	OF
---	------------	-----------------	----	----