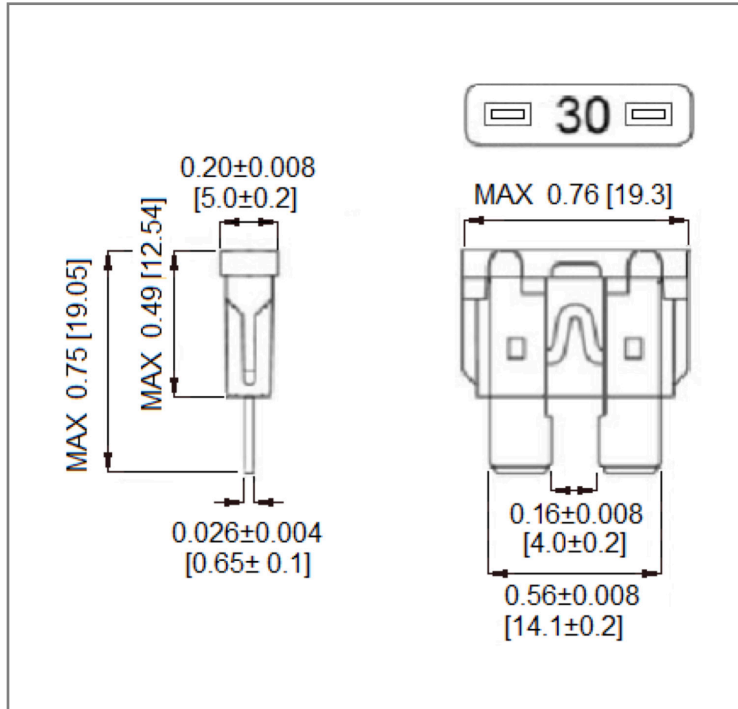
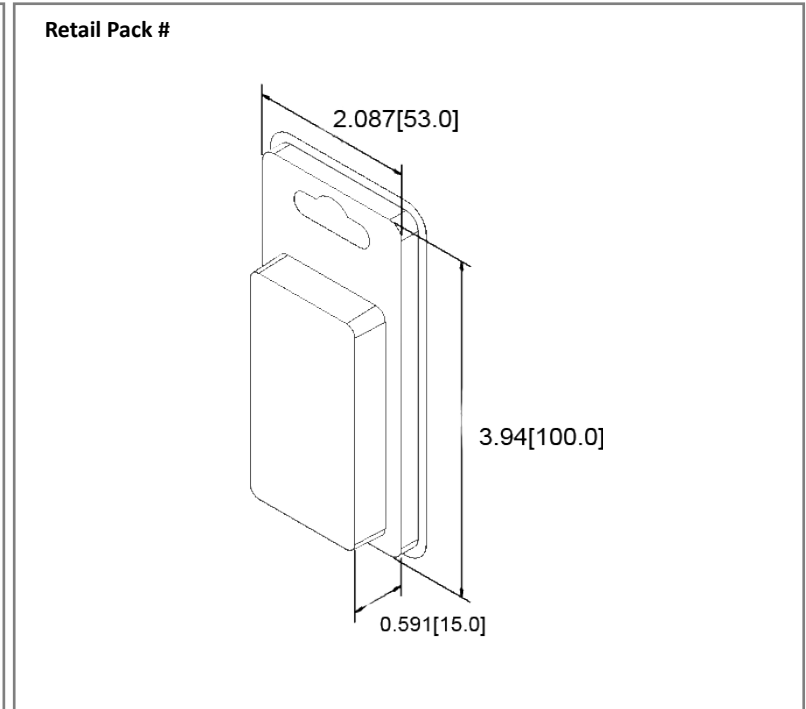


## Mechanical Dimensions: Inches [mm]



## Retail Pack: Inches [mm]



## Part Numbers Information

Amperage	Body Color	Bulk Part #	Retail Pack # Blister Card	Pack Size
2A	Gray	ANR-I-2A	-	-
3A	Violet	ANR-I-3A	ANR-I-3A-BP	2
4A	Pink	ANR-I-4A	-	-
5A	Tan	ANR-I-5A	ANR-I-5A-BP	2
7.5A	Brown	ANR-I-7.5A	ANR-I-7.5A-BP	2
10A	Red	ANR-I-10A	ANR-I-10A-BP	2
15A	Blue	ANR-I-15A	ANR-I-15A-BP	2
20A	Yellow	ANR-I-20A	ANR-I-20A-BP	2
25A	Clear	ANR-I-25A	ANR-I-25A-BP	2
30A	Green	ANR-I-30A	ANR-I-30A-BP	2
35A	Blue Green	ANR-I-35A	-	-
40A	Orange	ANR-I-40A	ANR-I-40A-BP	2

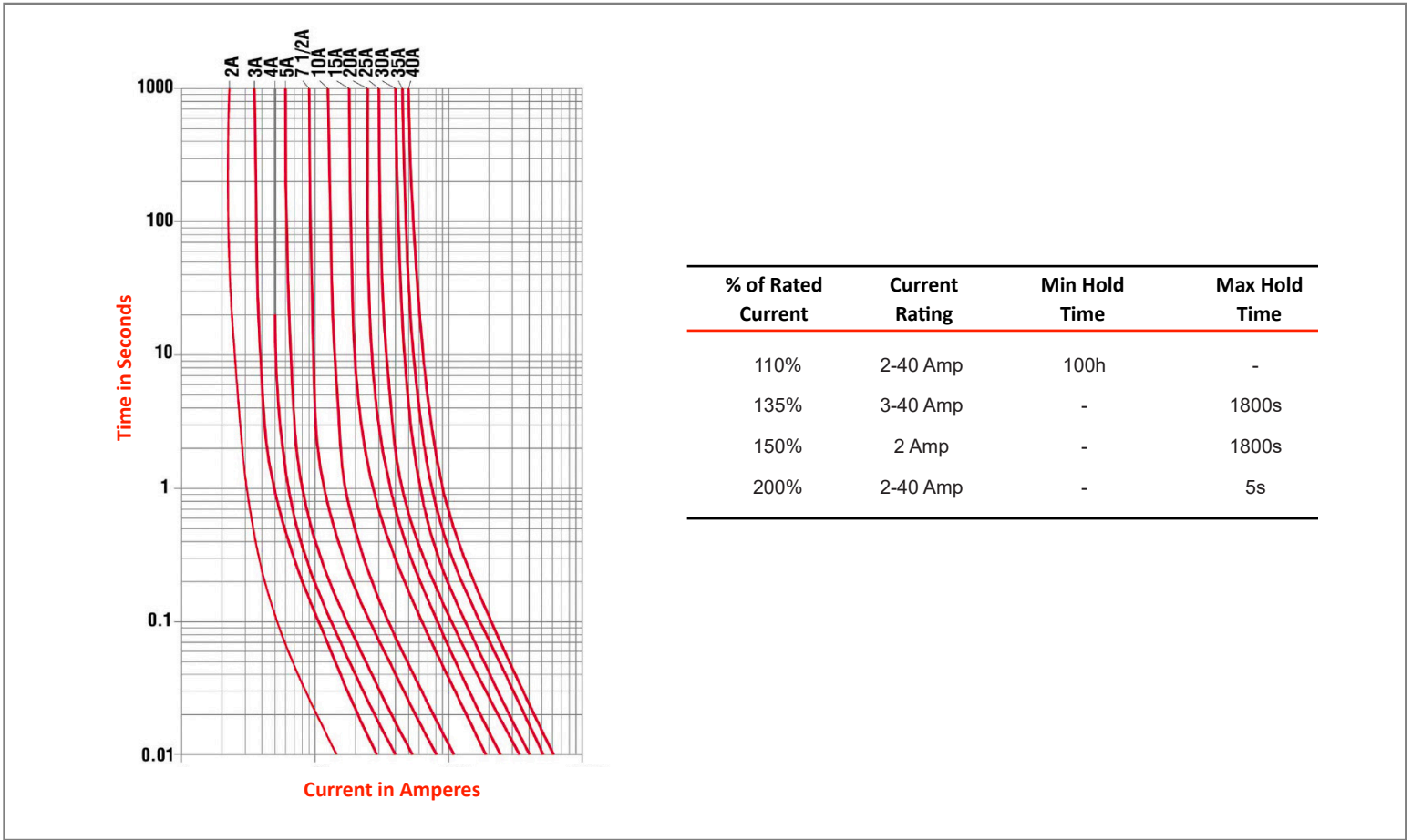
## Electrical Specifications

<b>Voltage Rating</b>	32V DC
<b>Interrupting Rating</b>	1000A @ 32 VDC
<b>Testing</b>	SAE, ISO 8820

## Material Specifications

Indicating LED when fuse is opened	
<b>Body</b>	PA 66
<b>Terminals</b>	Zinc Alloy

Time vs. Percent of Rated Current



Rev Date of issue Revision Notes

Designed Approved

B	04-04-2023	Initial Drawing	RC	OF
---	------------	-----------------	----	----