

ANN-MB series

Multi-band, high precision GNSS antennas

Data Sheet



Abstract

This technical data sheet describes the ANN-MB Multi-band (L1, L2/E5b) active GNSS antennas that support GPS, GLONASS, Galileo, and BeiDou. The antennas provide a fast and easy solution for high precision applications with an excellent price to performance ratio. The antennas variants offer versatile mounting and connector options.

www.u-blox.com

UBX-18049862 - R02

Document Information

Title	ANN-MB series	
Subtitle	Multi-band, high precision GNSS antennas	
Document type	Data Sheet	
Document number	UBX-18049862	
Revision and date	R02	10-Dec-2018
Disclosure Restriction	Advance Information	

Product status	Corresponding content status	
In Development / Prototype	Objective Specification	Target values. Revised and supplementary data will be published later.
Engineering Sample	Advance Information	Data based on early testing. Revised and supplementary data will be published later.
Initial Production	Early Production Information	Data from product verification. Revised and supplementary data may be published later.
Mass Production / End of Life	Production Information	Document contains the final product specification.

This document applies to the following products:

Product name	Type number	Connector type	PCN reference	Product status
ANN-MB (SMA)	ANN-MB-00-00	SMA	N/A	Engineering Sample
ANN-MB (SMB)	ANN-MB-01-00	SMB	N/A	Engineering Sample
ANN-MB (MCX)	ANN-MB-02-00	MCX	N/A	Engineering Sample

u-blox or third parties may hold intellectual property rights in the products, names, logos and designs included in this document. Copying, reproduction, modification or disclosure to third parties of this document or any part thereof is only permitted with the express written permission of u-blox.

The information contained herein is provided "as is" and u-blox assumes no liability for its use. No warranty, either express or implied, is given, including but not limited to, with respect to the accuracy, correctness, reliability and fitness for a particular purpose of the information. This document may be revised by u-blox at any time without notice. For the most recent documents, visit www.u-blox.com.

Copyright © u-blox AG.

Contents

Document Information	2
Contents	3
1 Overview	4
2 Electrical specification	5
3 Mechanical specification	6
3.1 Mechanical drawing.....	6
3.2 Mechanical data	6
3.3 Connector types	7
4 Environmental information	8
5 Absolute maximum ratings	9
6 Antenna characteristics	10
6.1 Block diagram	10
6.2 Radiation pattern	11
7 Product labeling	12
7.1 Explanation of product codes.....	12
8 Ordering information	13
Revision history	14
Contact	15

Advance Information

1 Overview

The u-blox ANN-MB multi-band (L1, L2/E5b) active GNSS antennas are designed to reduce time to market for the next generation of high precision GNSS applications, which require highly accurate location information. The compact design, excellent price to performance ratio, and versatile mounting and connector choices provide customers with fast, easy, and reliable multi-band antenna solutions. The ANN-MB antenna is a perfect match to the latest u-blox F9 platform, including the ZED-F9P module, thus providing customers with a valuable antenna solution to minimize design-in efforts.

The ANN-MB series includes a high-performance multi-band RHCP dual-feed patch antenna element, a built-in high-gain LNA with SAW pre-filtering, and a 5 m antenna cable with three connector options (SMA, SMB, MCX).

Advance
Information

2 Electrical specification

Patch antenna specification

Parameter	L1 Band	L2/E5b Band
Frequency ¹	1559-1606 MHz	1197-1249 MHz
Impedance ¹	50 Ω	50 Ω
Gain ¹	Typ. 3.5 dBic (Zenith)	Typ. 0.0-2.0 dBic (Zenith)
Axial ratio ¹	Max. 2.0 dB (Zenith)	Max. 2.0 dB (Zenith)
Polarization ¹	RHCP	RHCP

Table 1: Patch antenna element specification

Amplifier specification

Parameter	L1 Band	L2/E5b Band
Frequency	1559-1606 MHz	1197-1249 MHz
Impedance	50 Ω	50 Ω
LNA Gain ^{2,3}	Typ. 28 ± 3.0 dB	Typ. 28 ± 3.0 dB
LNA Noise Figure ^{2,3}	Max. 2.8 dB	Max. 3.2 dB
Output VSWR	Max. 2.0	Max. 2.0
Cable Insertion Loss (RG-174, length 5 m)	Typ. 6.6 dB	Typ. 5.6 - 6.6 dB
Total Gain ^{2,4}	Typ. 21.4 dB	Typ. 21.4 - 22.4 dB
Out-of-band rejection min. 100 MHz from GNSS band edges at selected cellular bands	Typ. 65 dB (at <1459 MHz, >1706 MHz) Typ. 85 / 80 / 70 / 75 / 80 dB (at 698 / 960 / 1710 / 2170 / 2690 MHz)	Typ. 45 dB (at <1097 MHz, >1349 MHz) Typ. 65 / 45 / 45 / 75 / 80 dB (at 698 / 960 / 1710 / 2170 / 2690 MHz)
Supply voltage ⁵	3.0 - 5.0 V	
Supply current ^{2,5}	Typ. 15 mA	

Table 2: Amplifier specification

¹ Measured on a ø15 cm ground plane. Measured values include the antenna feed network (hybrid coupler).

² Measured using 5.0 V supply voltage

³ Includes LNA and SAW pre-filter section

⁴ Includes LNA Gain and Cable Insertion Loss

⁵ Single supply for L1 and L2/E5b bands

3 Mechanical specification

3.1 Mechanical drawing

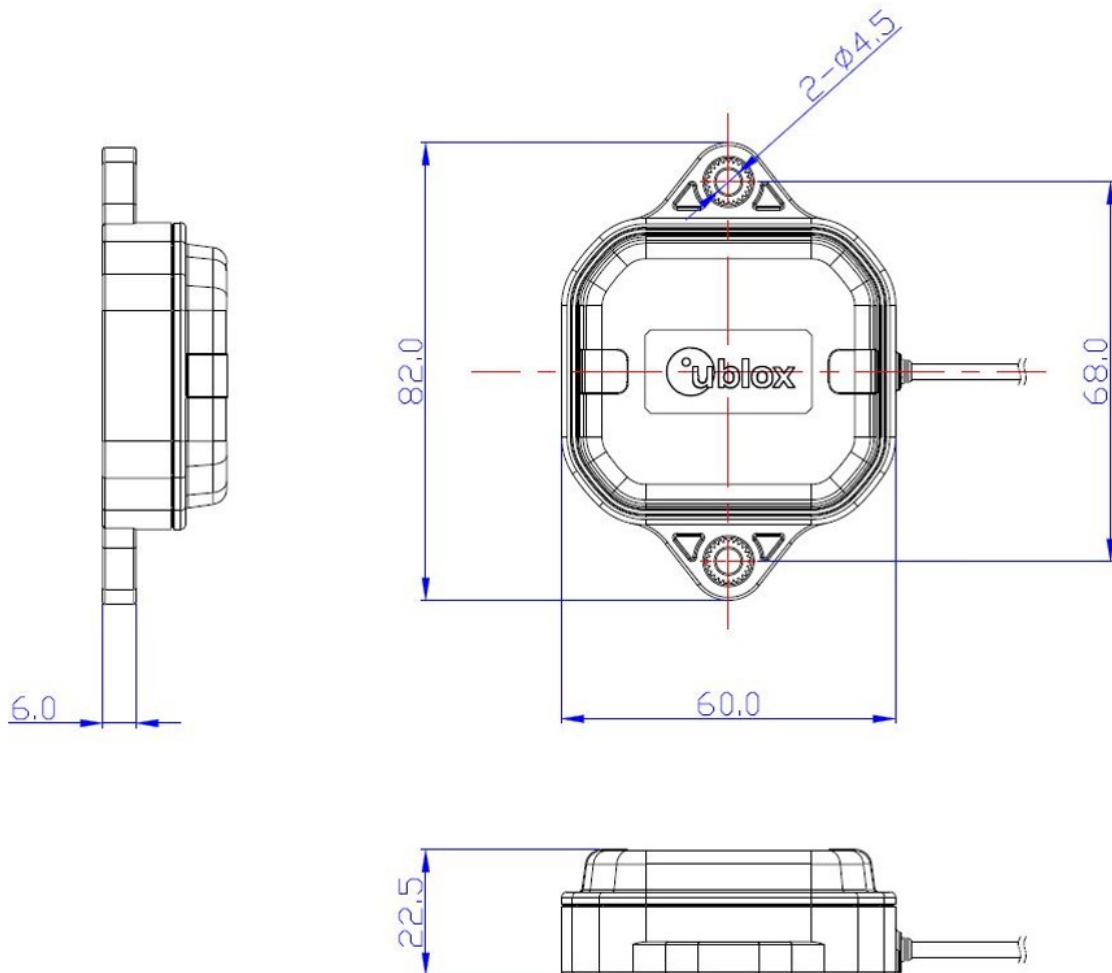


Figure 1: ANN-MB series mechanical drawing. Dimensions are given in mm.

3.2 Mechanical data

Parameter	Specification
Weight (incl. cable)	175 g
Size	82.0 x 60.0 x 22.5 mm
Connector options	SMA, SMB, MCX
Cable type, length	RG174, 5 m
Mounting	Magnetic base, fixed installation option (screw mount, 2 x M4 screws)
Housing Color	Black

Table 3: Mechanical specification

3.3 Connector types

SMA (male) ANN-MB-00

SMB (male) ANN-MB-01

MCX (male) ANN-MB-02



Table 4: ANN-MB connector types

Advance
Information

4 Environmental information

Parameter	Specification
Operating temperature	-40 to +85 °C
Storage temperature	-40 to +85 °C
ESD circuit protection	±15 kV (IEC61000-4-2)
Ingress protection (IP) rating	IP67 (Protected from dust and temporary immersion in water up to 1 m depth)
Vibration	MIL-STD-810G, Method 514.7 Vibration


Table 5: Environmental information

Advance Information

5 Absolute maximum ratings

Parameter	Symbol	Condition	Min	Max	Units
Power supply voltage	VCC		0.0	10.0	V
Operating temperature	T _{GP}		-40	+85	°C
Storage temperature	T _{STG}		-40	+85	°C

Table 6: Absolute maximum ratings

-  Stressing the device beyond the “Absolute Maximum Ratings” may cause permanent damage. These are stress ratings only. The product is not protected against overvoltage or reversed voltages. If necessary, voltage spikes exceeding the power supply voltage specification, given in table above, must be limited to values within the specified boundaries by using appropriate protection diodes.

Advance Information

6 Antenna characteristics

6.1 Block diagram

A simplified block diagram for ANN-MB multi-band antenna series is shown in [Figure 2](#). The block diagram is divided into patch antenna element and amplifier sections. The patch antenna element section is specified in [Table 1](#) and the amplifier section in [Table 2](#). The 5 m coaxial cable is connected to the amplifier section output.

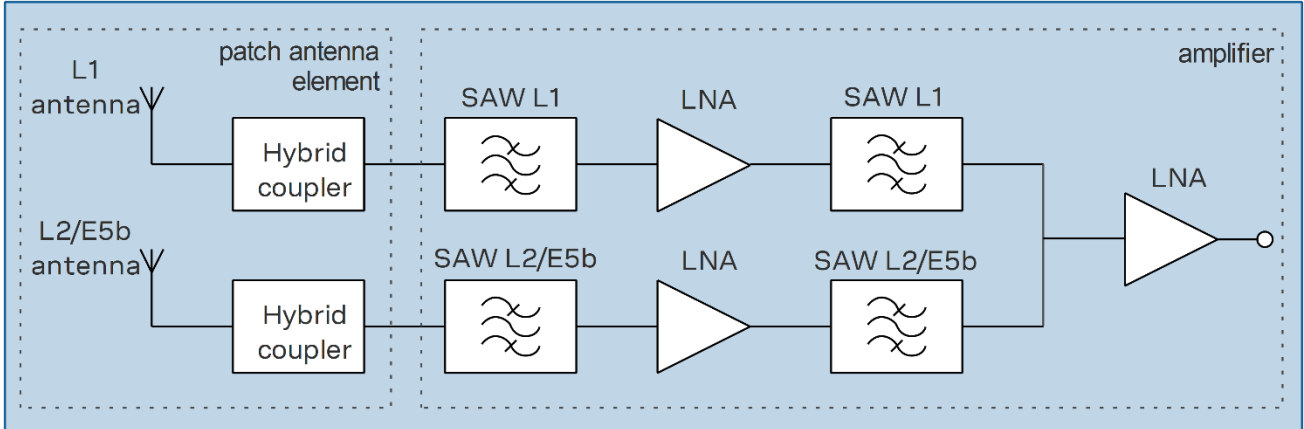


Figure 2: Simplified ANN-MB series block diagram

6.2 Radiation pattern

The radiation pattern at the L1 and L2/E5b bands are shown in [Figure 4](#) and [Figure 5](#), respectively. A 2-D cut measured at nine frequencies within the band are shown for $H(xy)$, $E1(xz)$ and $E2(yz)$ planes. The coordinate axes are defined in [Figure 3](#).

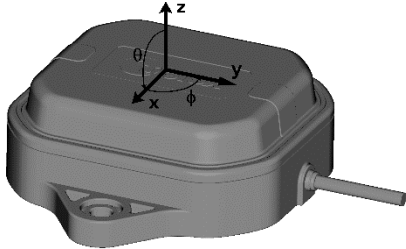


Figure 3: Definition of coordinate axes for radiation pattern plots.

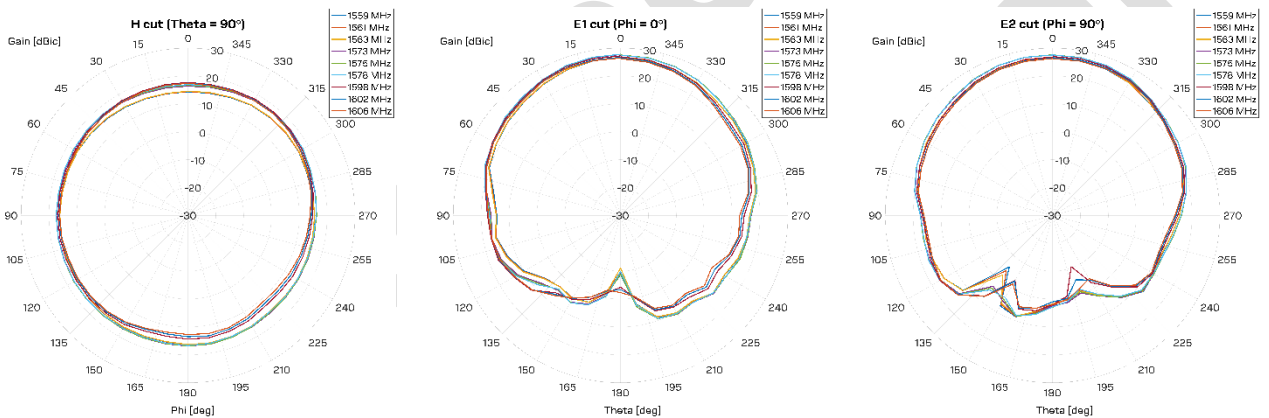


Figure 4: Radiation pattern at L1 band. The 2-D cuts are measured at 1559 - 1606 MHz (nine frequencies).

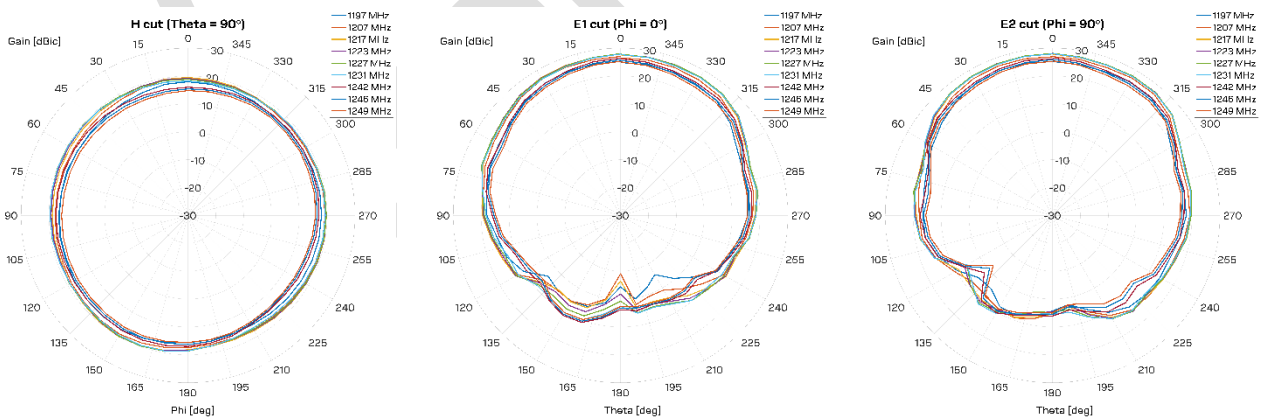


Figure 5: Radiation pattern at L2/E5b band. The 2-D cuts are measured at 1197 - 1249 MHz (nine frequencies).

7 Product labeling

The product information label is found on the underside of the ANN-MB multi-band GNSS antenna. The label includes the product type number, which provides important information on the product.

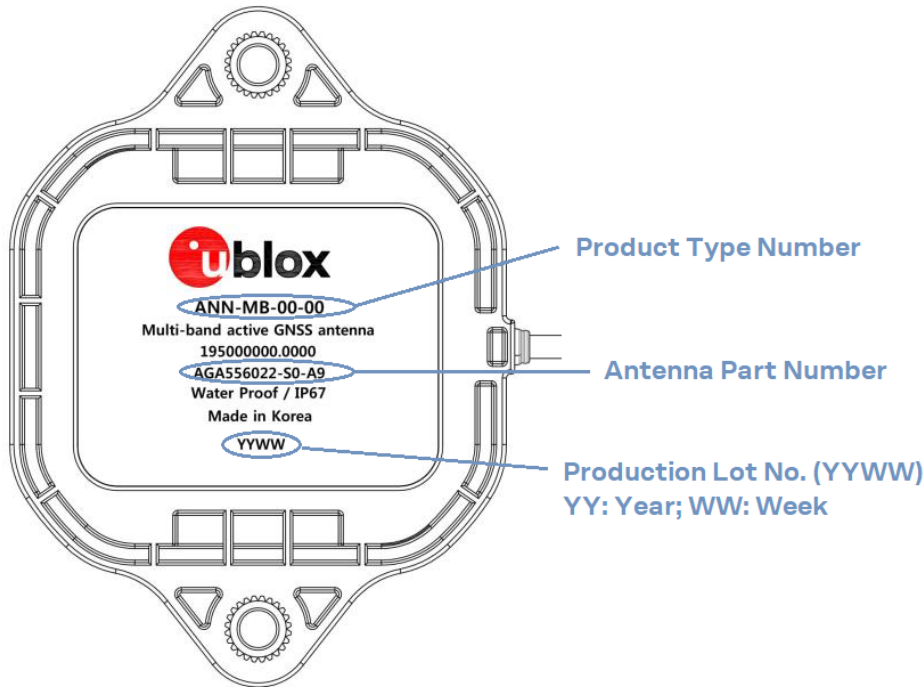


Figure 6: ANN-MB multi-band GNSS antenna product label.

7.1 Explanation of product codes

Three different product code formats are used. The **Product name** is used in general communications about product families and variants. The **Ordering code** includes options and quality, whereas the **Type number** includes information on the hardware version. The product code formats are described in [Table 6](#) and [Table 7](#).

Format	Structure
Product name	PPP-GV
Ordering number	PPP-GV-NN
Type number	PPP-GV-NN-XX

Table 7: Product code formats

Code	Meaning	Example
PPP	Product family	ANN
GV	Product generation	MB: Multi-band
NN	Option	Connector type: 00 = SMA connector 01 = SMB connector 02 = MCX connector
XX	Product revision	

Table 8: Explanation of product codes

8 Ordering information

Ordering No.	Product
ANN-MB-00	Multi-band active GNSS antenna, 5 m cable, SMA (male) connector Single units
ANN-MB-01	Multi-band active GNSS antenna, 5 m cable, SMB (male) connector Single units
ANN-MB-02	Multi-band active GNSS antenna, 5 m cable, MCX (male) connector Single units

Table 9: Ordering information

Advance
Information

Revision history

Revision	Date	Name	Status / Comments
R01	10-Sep-2018	rmak	Objective Specification.
R02	10-Dec-2018	rmak	Advance Information. Updated Figure 1 and Table 5 for added fix installation option. Updated Table 2 (outband rejection), Table 3 (antenna weight) and section 6.2 (Radiation Pattern). Adjusted temperature specification (Table 5). Added section 5 (absolute maximum ratings) and Figure 6 (product label information).

Advance Information

Contact

For complete contact information, visit us at www.u-blox.com.

u-blox Offices

North, Central and South America

u-blox America, Inc.

Phone: +1 703 483 3180
E-mail: info_us@u-blox.com

Regional Office West Coast:

Phone: +1 408 573 3640
E-mail: info_us@u-blox.com

Technical Support:

Phone: +1 703 483 3185
E-mail: support@u-blox.com

Headquarters

Europe, Middle East, Africa

u-blox AG

Phone: +41 44 722 74 44
E-mail: info@u-blox.com
Support: support@u-blox.com

Asia, Australia, Pacific

u-blox Singapore Pte. Ltd.

Phone: +65 6734 3811
E-mail: info_ap@u-blox.com
Support: support_ap@u-blox.com

Regional Office Australia:

Phone: +61 2 8448 2016
E-mail: info_anz@u-blox.com
Support: support_ap@u-blox.com

Regional Office China (Beijing):

Phone: +86 10 68 133 545
E-mail: info_cn@u-blox.com
Support: support_cn@u-blox.com

Regional Office China (Chongqing):

Phone: +86 23 6815 1588
E-mail: info_cn@u-blox.com
Support: support_cn@u-blox.com

Regional Office China (Shanghai):

Phone: +86 21 6090 4832
E-mail: info_cn@u-blox.com
Support: support_cn@u-blox.com

Regional Office China (Shenzhen):

Phone: +86 755 8627 1083
E-mail: info_cn@u-blox.com
Support: support_cn@u-blox.com

Regional Office India:

Phone: +91 80 405 092 00
E-mail: info_in@u-blox.com
Support: support_in@u-blox.com

Regional Office Japan (Osaka):

Phone: +81 6 6941 3660
E-mail: info_jp@u-blox.com
Support: support_jp@u-blox.com

Regional Office Japan (Tokyo):

Phone: +81 3 5775 3850
E-mail: info_jp@u-blox.com
Support: support_jp@u-blox.com

Regional Office Korea:

Phone: +82 2 542 0861
E-mail: info_kr@u-blox.com
Support: support_kr@u-blox.com

Regional Office Taiwan:

Phone: +886 2 2657 1090
E-mail: info_tw@u-blox.com
Support: support_tw@u-blox.com