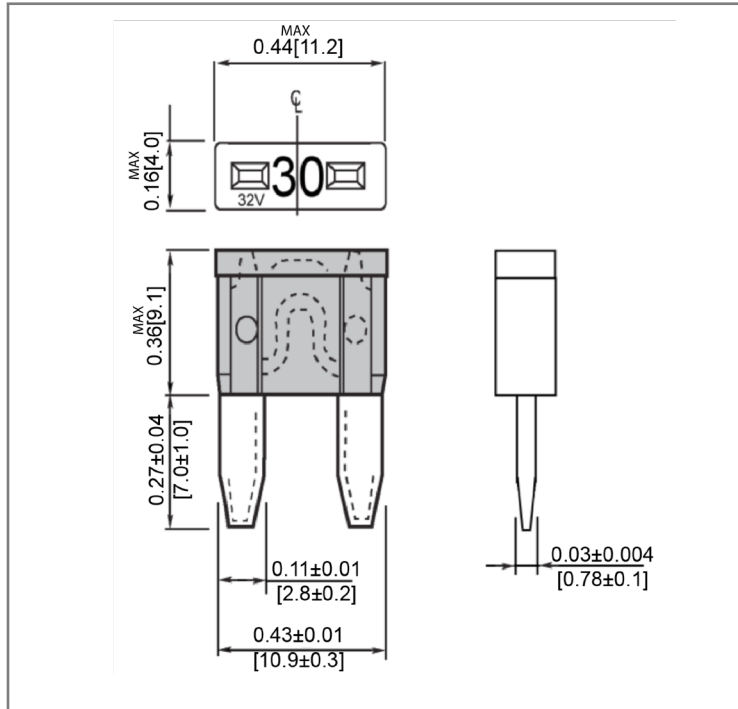
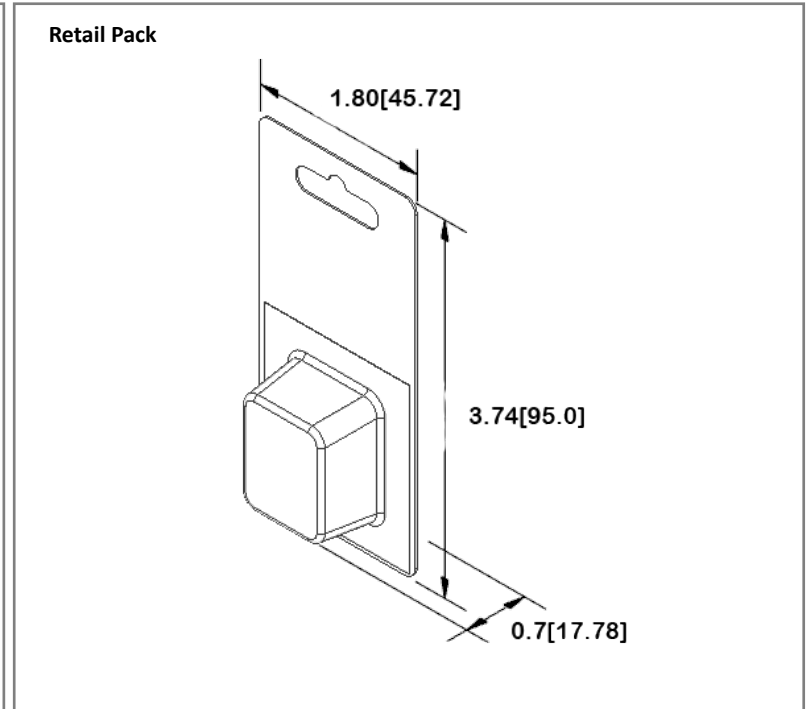


## Mechanical Dimensions: Inches [mm]



## Retail Pack: Inches [mm]



## Part Numbers Information

Amperage	Body Color	Bulk Part #	Retail Pack # Blister Card	Pack Size
2A	Gray	ANM-I-2A	-	-
3A	Violet	ANM-I-3A	ANM-I-3A-BP	2
4A	Pink	ANM-I-4A	-	-
5A	Tan	ANM-I-5A	ANM-I-5A-BP	2
7.5A	Brown	ANM-I-7.5A	ANM-I-7.5A-BP	2
10A	Red	ANM-I-10A	ANM-I-10A-BP	2
15A	Blue	ANM-I-15A	ANM-I-15A-BP	2
20A	Yellow	ANM-I-20A	ANM-I-20A-BP	2
25A	Clear	ANM-I-25A	ANM-I-25A-BP	2
30A	Green	ANM-I-30A	ANM-I-30A-BP	2

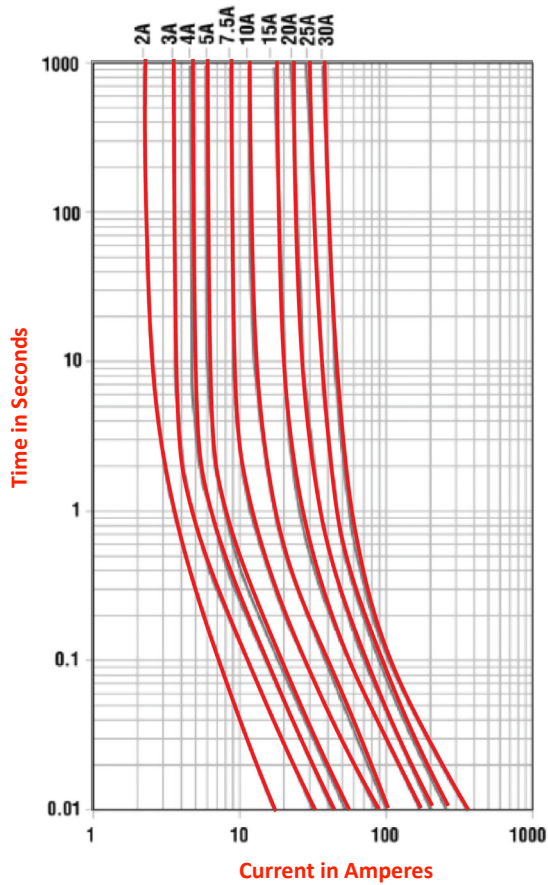
## Electrical Specifications

Voltage Rating	32V DC
Interrupting Rating	1000A @ 32 VDC
Testing	SAE, ISO 8820

## Material Specifications

Indicating LED when fuse is opened	
Body	PA 66
Terminals	Zinc Alloy

## Time vs. Percent of Rated Current



% of Rated Current	Min Hold Time	Max Hold Time
110%	100 hrs	-
135%	-	1800s
200%	-	5s

**Rev Date of issue Revision Notes**

**Designed Approved**

A	05-30-2023	Initial Drawing	RC	OF
---	------------	-----------------	----	----