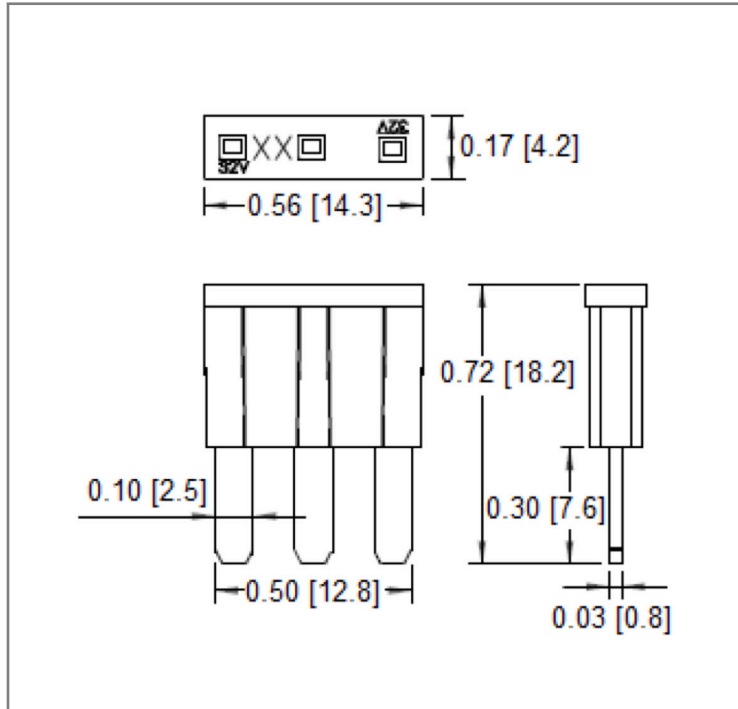
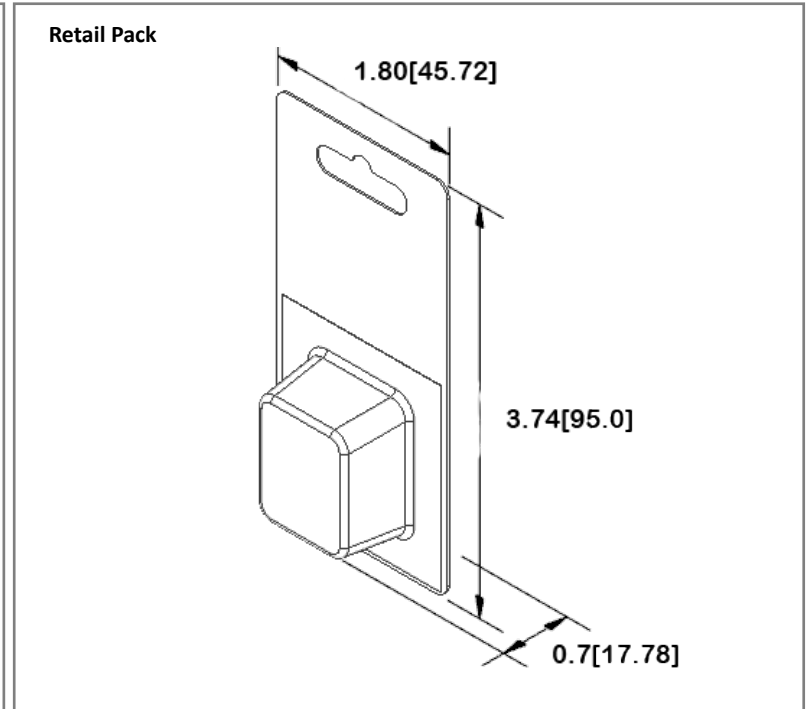


Mechanical Dimensions: Inches [mm]



Retail Pack: Inches [mm]



Part Numbers Information

Amperage	Body Color	Bulk Part #	Retail Pack # Blister Card	Pack Size
5A	Tan	ANK-5A	ANK-5A-BP	2
7.5A	Brown	ANK-7.5A	ANK-7.5A-BP	2
10A	Red	ANK-10A	ANK-10A-BP	2
15A	Blue	ANK-15A	ANK-15A-BP	2

Electrical Specifications

Voltage Rating	32V DC
Interrupting Rating	1000A @ 32 VDC
Testing	SAE-2741, ISO 8820-3

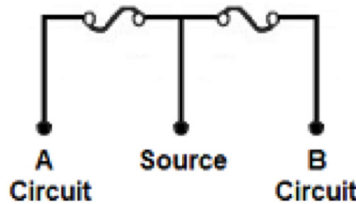
Material Specifications

Body	PA 66
Terminals	Zinc Alloy

Time vs. Percent of Rated Current Table

% of Rated Current	Min Hold Time	Max Hold Time
110%	100hrs	-
135%	0.75s	120s
160%	0.3s	50s
200%	0.15s	5s
350%	0.04s	0.5s
600%	0.02s	0.1s

Circuit Diagram



Rev Date of issue Revision Notes

Designed Approved

A	05-30-2023	Initial Drawing	RC	OF
---	------------	-----------------	----	----