

ANTENNA PRODUCT TECHNICAL SPECIFICATION

LION AN7200 RFID ANTENNA

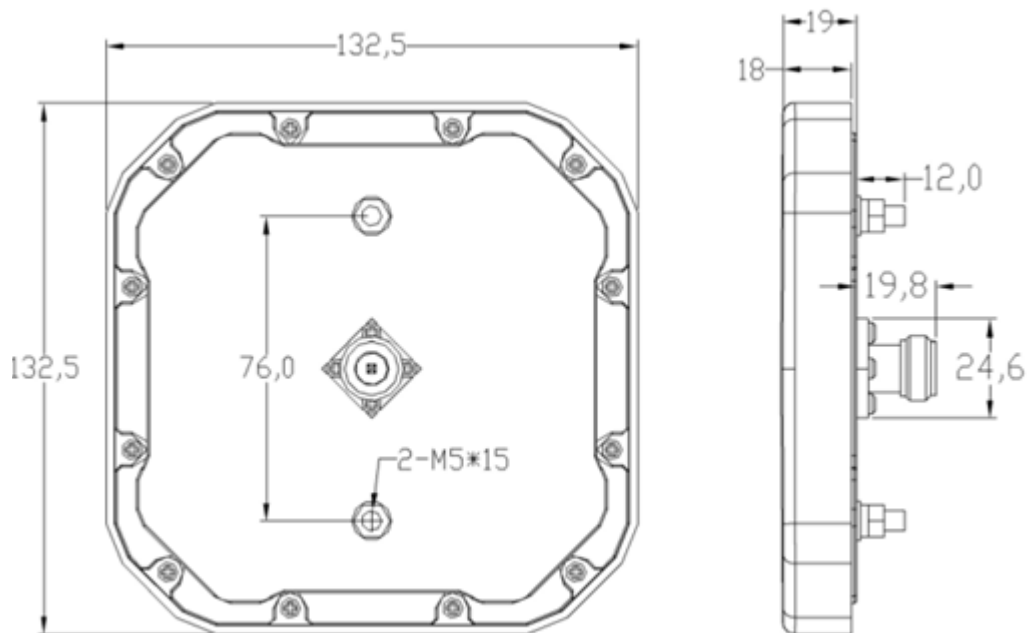
Electrical Specifications	
Frequency Range(MHz)	902-928 MHz
Gain(dBi)	5.5dBi
Beam Width(°)	Hor:105 Ver:105
VSWR	≤1.3
Impedance(Ω)	50
Polarization	Circular polarization
axial ratio(dB)	≤2
MAX.Power(W)	50
Lightning protection	DC grounding

Mechanical Specifications	
Connector	N-male
Connector position	Straight out the bottom
Dimension(mm)	132*132*18mm
Antenna weight(kg)	0.35
Reflector material	Aluminum
Radome material	PC+ABS
Radome color	White
International Protection	IP54
Operating temperature(°C)	-40 ~ 55
Mounting hardware(mm)	φ40 ~ φ50

Product Image :



Product size chart :



Radiation Patterns :

