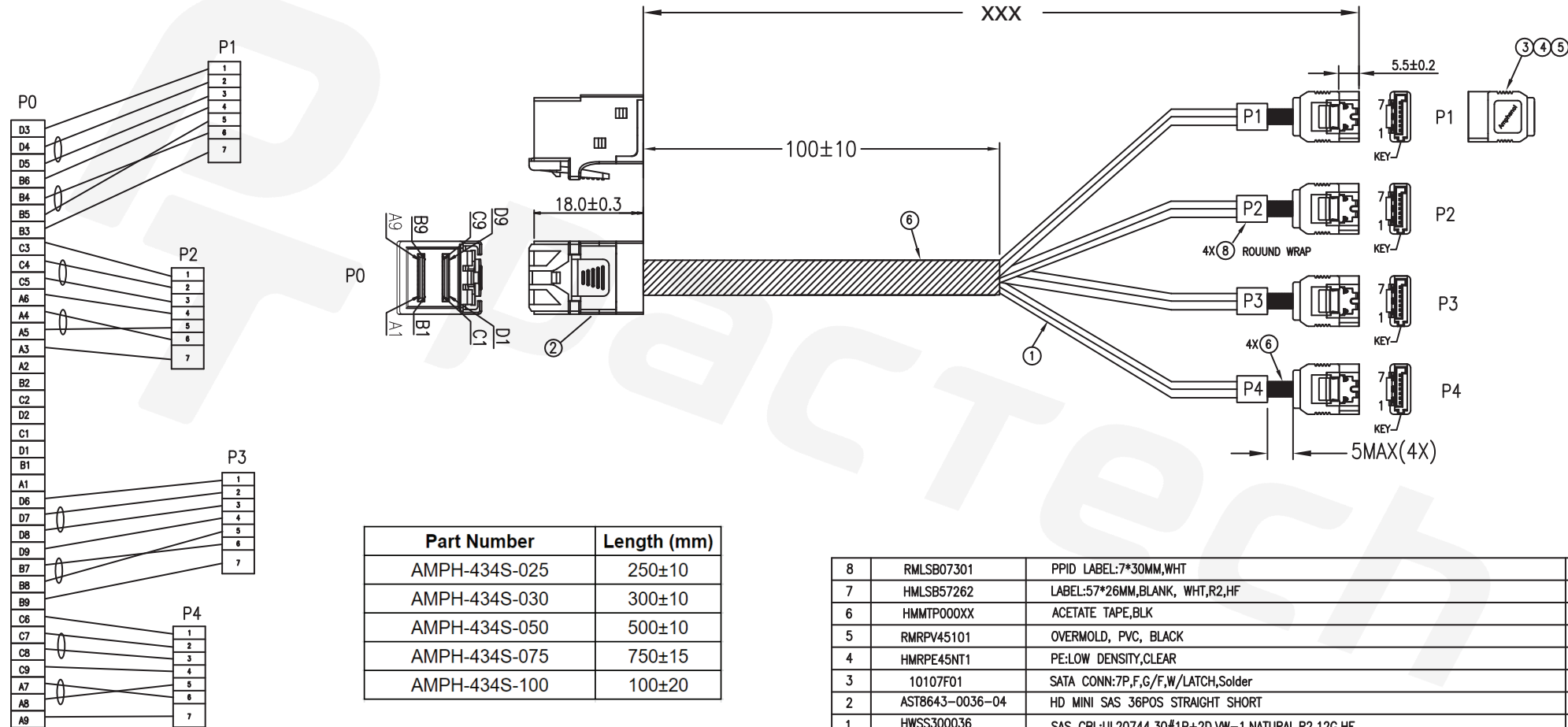


The marking on this product doesn't contain environmental hazardous materials per directive 2011/65/EU for RoHS compliance.

NOTE:  
 1.ELECTRICAL AND MECHANICAL PERFORMANCE SHOULD MEET THE SAS2.1 INDUSTRIAL STANDARD (6G).  
 2.THE CABLE ASSEMBLY SHOULD BE RoHS COMPLIANCE.



Part Number	Length (mm)
AMPH-434S-025	250±10
AMPH-434S-030	300±10
AMPH-434S-050	500±10
AMPH-434S-075	750±15
AMPH-434S-100	100±20

ITEM	P/N	DESCRIPTION	QTY
8	RMLSB07301	PPID LABEL:7*30MM,WHT	4
7	HMLSB57262	LABEL:57*26MM,BLANK, WHT,R2,HF	1
6	HMMTP000XX	ACETATE TAPE,BLK	A/R
5	RMRPV45101	OVERMOLD, PVC, BLACK	A/R
4	HMRPE45NT1	PE:LOW DENSITY,CLEAR	A/R
3	10107F01	SATA CONN:7P,F,G/F,W/LATCH,Solder	4
2	AST8643-0036-04	HD MINI SAS 36POS STRAIGHT SHORT	1
1	HWSS300036	SAS CBL:UL20744,30#1P+2D,VW-1,NATURAL,R2,12G,HF	A/R

WIRE DIAGRAM  
 CONTROLLER END TO DRIVE

For Customer Made Items Order:

- \* Minimum \$200 value
- \* NCNR (Non-cancelable & non-returnable)
- \* One time tooling charge, if any, must be approved with authorized signature & date.
- \* Turn around time counted ARO (After Received FA or drawing approval)

APPROVED BY  
 COMPANY: \_\_\_\_\_  
 PURCHASING/ENGINEER: \_\_\_\_\_  
 DATE: \_\_\_\_\_

GENERAL TOLERANCES	
.X:	± 0.5
.XX:	± 0.3
.XXX:	± 0.01
ANGULAR:	± 1°

**pactech**  
 Data Center & Custom Cable Solutions

DRAWN: D. Li      DATE: 08/23/2015  
 CHECKED: C. Du      DATE: 08/23/2015  
 APPROVED: A. Chui      DATE: 08/23/2015

**Amphenol**

TITLE: SFF8643 MINI SAS HD 36 POS STR TO 4XSATA 7P

PART NO.: AMPH-434S-XXX

SCALE: NONE      SHEET 1 OF 1  
 UNIT: MM      SIZE: A4      REV.: AX2