



751/782 MHz Ceramic Connectorized Duplexer



ANATECH ELECTRONICS INC
RF & Microwave Filters & Products

Part Number: AM751-782D1039-C

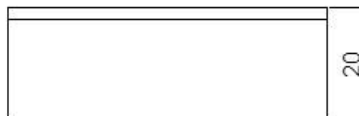
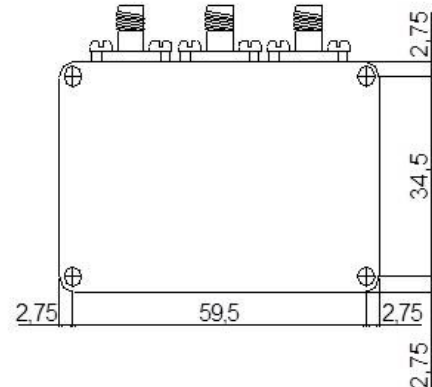
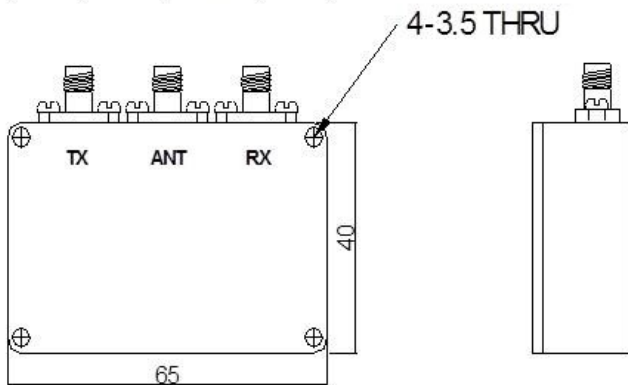
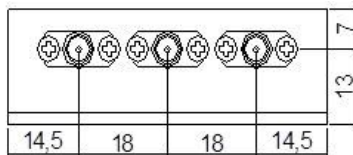
Characteristics	Band 1	Band 2
Passband:	746-756 MHz	777-787 MHz
Bandwidth:	Fo ± 5 MHz	Fo ± 5 MHz
VSWR:	1.5:1 Max	1.5:1 Max
Passband Insertion Loss:	3.8 dB max	3.8 dB max
Passband Ripple:	1.5 dB max	1.5 dB max
Input / Output Impedance:	50 Ohms	50 Ohms
Isolation:	50 dB min	55 dB min
Power Handling:	5 W	5 W

Mechanical	
Connector Type:	SMA (F)
Dimensions:	65 x 40 x 20 mm

Environmental	
Operating Temperature:	-45 to +85 deg.C
Storage Temperature:	-50 to +90 deg.C

This product is RoHs compliant.

Outline Drawing:



Unit : mm
Tolerance : ± 0.3