

1

2

3

4

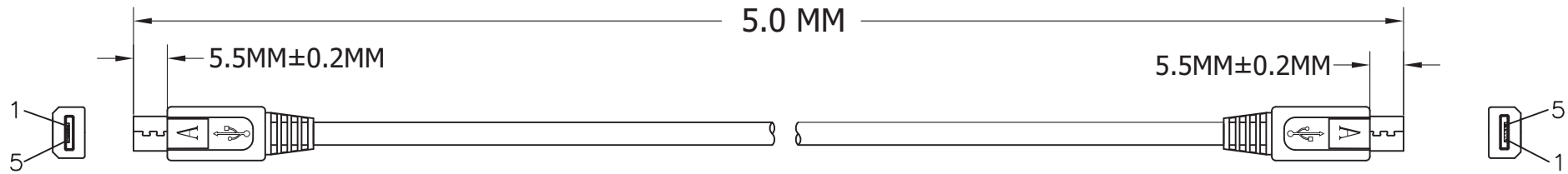
5

6

7

A

A

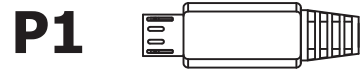


B

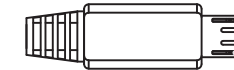
B

C

C



P1



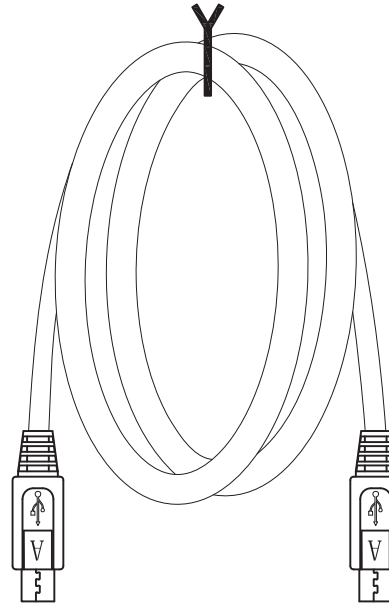
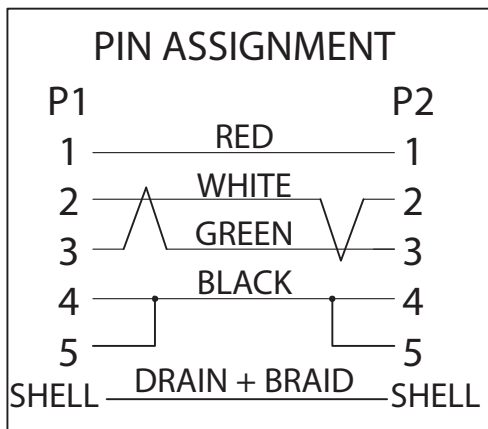
P2

D

D

E

E

**Material:**

- Cable: USB2.0 UL2725 [28AWG(7/0.12TC+AL):*1P+ 28AWG(7/0.12TC)*2C]+AEB(488 TC)
 - Jacket: Black
 - OD: 3.5MM
- Connectors: Micro USB 5P A/M Solder Type
 - Shell: Nickel
 - Pin: G/F
 - Insulator Color: Black
- Outer Jacket: Black PVC-50P

Electrical:

- 100% short, open, miswire test
- Conduct resistance: 2Ω Max.
- Insulation resistance: 5MΩ Min.
- Hi-Pot test: 300V DC

G

G

H

H

RoHS
Compliant

Scale	1:1					Name	Item No.
TOLERANCE					Drawn	10.19.11	Chappell
X.X	±0.40				Approved		AK67301-5-R
X.XX	±0.25						Title
X.XXX	±0.15						USB2.0 Micro Connection Cable, 5 Meters USB A Micro Male <=> USB A Micro Male
Angle	±3°						Drawing No.
							rev00
							Replace
							Sheet

ASSMANN
WVSW components

Modification

Date

Name

1

2

3

4

5

6

7