

# Extreme Low Profile Power Inductors



## AISC-060302F Series

Request Samples



Check Inventory



1.6 x 0.9 x 0.5 mm  
**RoHS/RoHS II Compliant**  
 MSL Level = 1

### Features

- Semi-shielded magnetics, low radiation
- High Power Density
- Extreme Low Profile of 0.5mm Max
- Very small package for medium current applications.
- High Inductance /mm<sup>3</sup>
- High self-resonant Frequency

### Applications

- Smartphones
- Wearable exercise monitors
- Textile Applications
- Diagnostics patches
- Hearing Aids
- Glasses, Cameras
- Highly dense power circuitry

### Electrical Specifications

Part Number	Inductance	DCR Max	SRF Typ.	Rated DC Current	
	( $\mu$ H)	( $\Omega$ )	(MHz)	Irms Max (mA)	Isat Typ. (mA)
AISC-060302F-100M-T	10	5.0	40	100	150

**Isat:** Based on Inductance change ( $\Delta L/L_0 \leq 30\%$ )

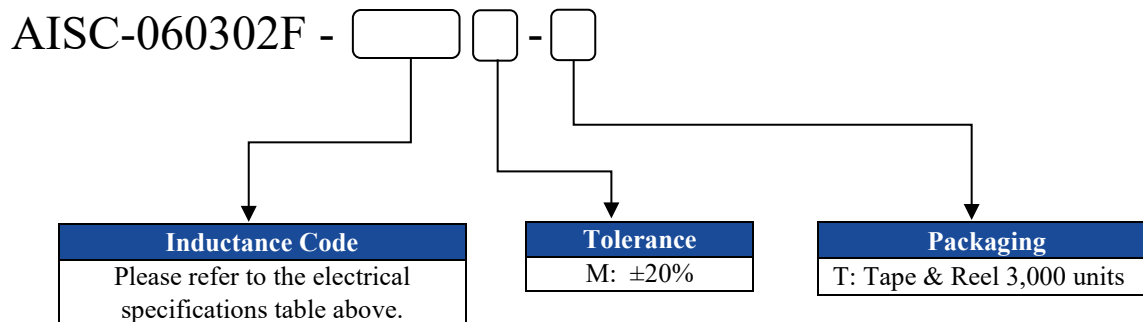
**Irms:** Based on Temperature change ( $T = \Delta 40^\circ\text{C}$ )

**Test Freq. :** 1MHz, 0.1V

**Operating Temperature:**  $-40^\circ\text{C} \sim +125^\circ\text{C}$  (including self-heating)

**Storage Temperature:**  $-10^\circ\text{C} \sim 40^\circ\text{C}$  (with packaging) and RH 70% max

### Part Identification

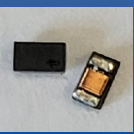


5101 Hidden Creek Ln, Spicewood TX 78669  
 Phone: 512-371-6159 Fax: 512-351-8858  
 For terms and conditions of sales, please visit:  
[www.abracon.com](http://www.abracon.com)

**REVISION Initial Release :**  
 5/9/2023

ABRACON IS  
 ISO9001-2015  
 CERTIFIED

# Extreme Low Profile Power Inductors



**AISC-060302F Series**

Request Samples

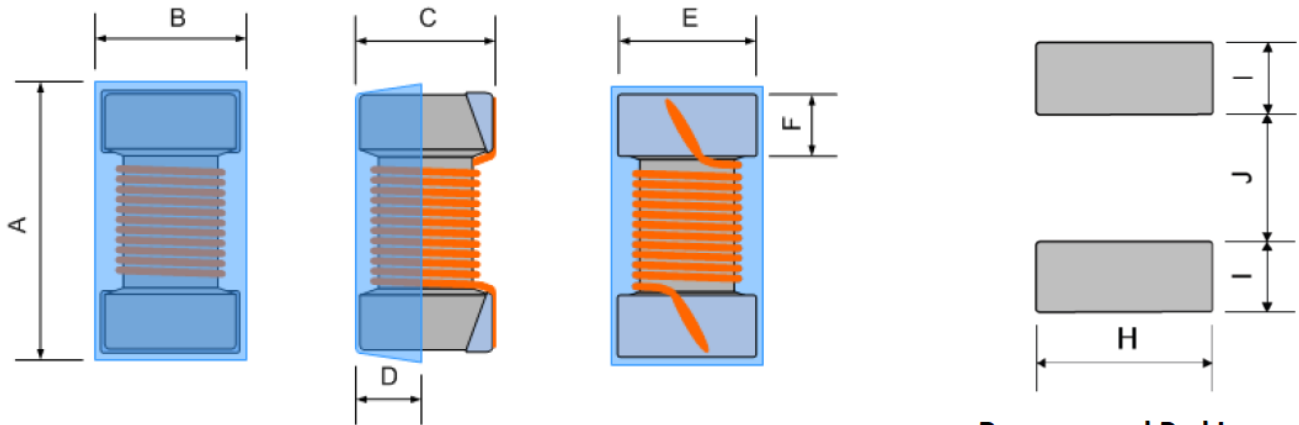


Check Inventory



**1.6 x 0.9 x 0.5 mm**  
**RoHS/RoHS II Compliant**  
**MSL Level = 1**

## Mechanical Specifications

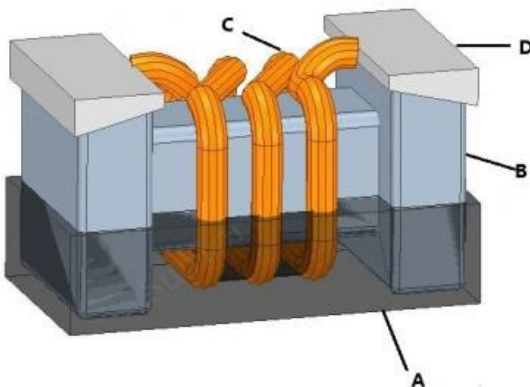


**Recommend Pad Layout**

A	B	C	D (typ.)	E (ref)	F (ref)	H (ref)	I (ref)	J (ref)
1.60 ±0.20	0.90 ±0.20	0.50 MAX	0.16	0.85	0.30	1.10	0.64	0.64

Dimensions: mm

## Materials List



Ref	Component	Material
A	Coating	Magnetic Resin
B	Core	Ferrite
C	Wire	Polyurethane enameled copper wire
D	Electrodes	Ag/Ag-Pd with Ni and Sn plating

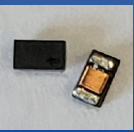


5101 Hidden Creek Ln, Spicewood TX 78669  
 Phone: 512-371-6159 Fax: 512-351-8858  
 For terms and conditions of sales, please visit:  
[www.abracon.com](http://www.abracon.com)

**REVISION Initial Release :**  
**5/9/2023**

ABRACON IS  
 ISO9001-2015  
 CERTIFIED

# Extreme Low Profile Power Inductors



**AISC-060302F Series**

Request Samples



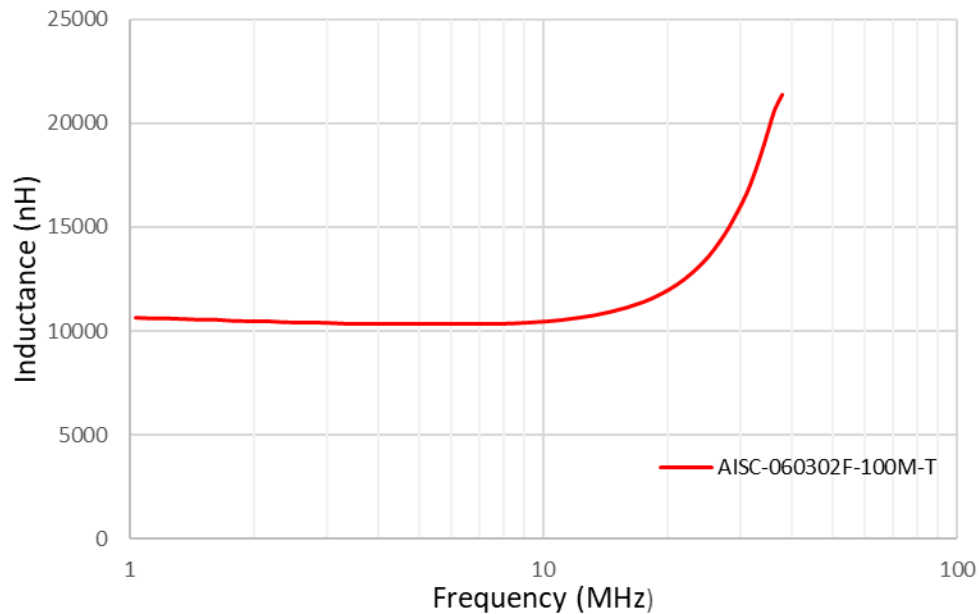
Check Inventory



1.6 x 0.9 x 0.5 mm  
RoHS/RoHS II Compliant  
MSL Level = 1

## Performance Graphs

### AISC-060302F Series Inductance vs. Frequency



5101 Hidden Creek Ln, Spicewood TX 78669  
Phone: 512-371-6159 Fax: 512-351-8858  
For terms and conditions of sales, please visit:  
[www.abracon.com](http://www.abracon.com)

REVISION Initial Release :  
5/9/2023

ABRACON IS  
ISO9001-2015  
CERTIFIED

# Extreme Low Profile Power Inductors



AISC-060302F Series

Request Samples

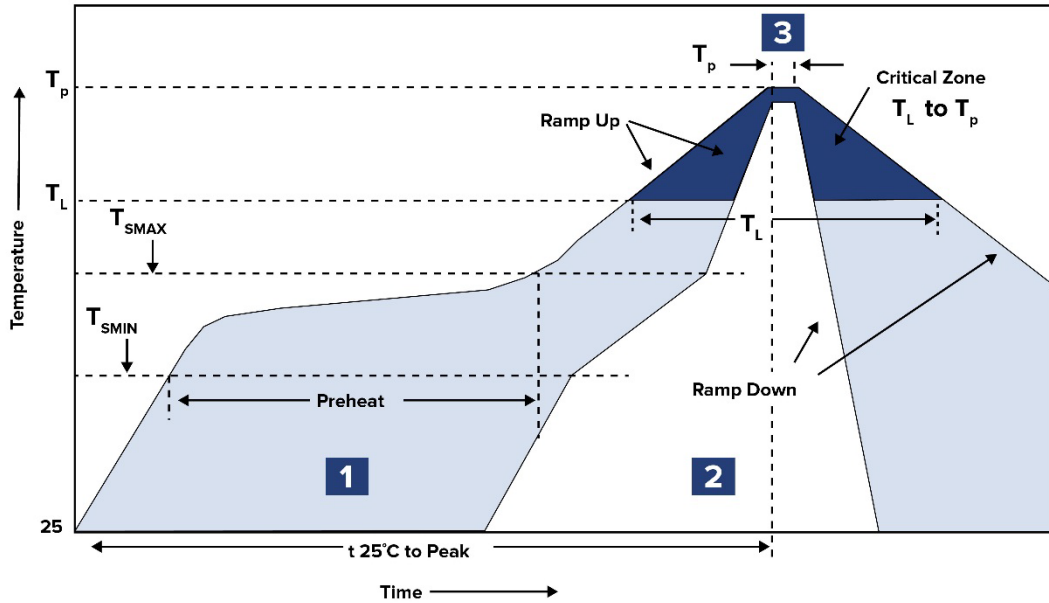


Check Inventory



1.6 x 0.9 x 0.5 mm  
RoHS/RoHS II Compliant  
MSL Level = 1

## Reflow Profile



Zone	Description	Temperature	Times
1	Preheat	$T_{SMIN} \sim T_{SMAX}$ 150°C ~ 200°C	60 ~ 120 sec.
2	Reflow	$T_L$ 217°C	60 ~ 90 sec.
3	Peak heat	$T_P$ 260°C Max	10 sec. Max

# Extreme Low Profile Power Inductors



**AISC-060302F Series**

Request Samples



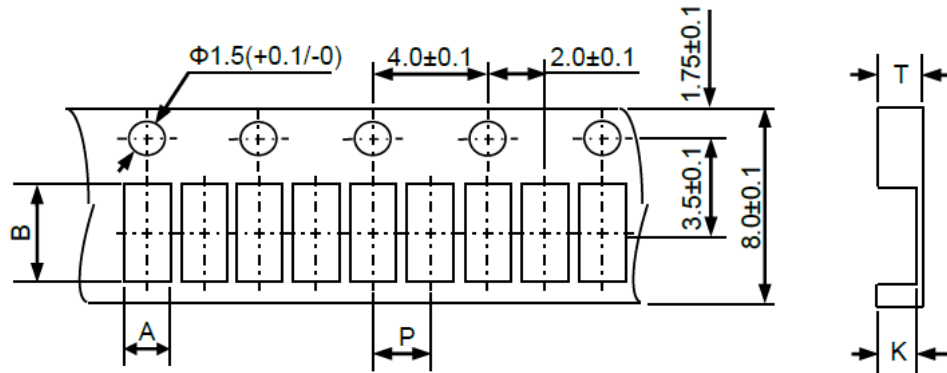
Check Inventory



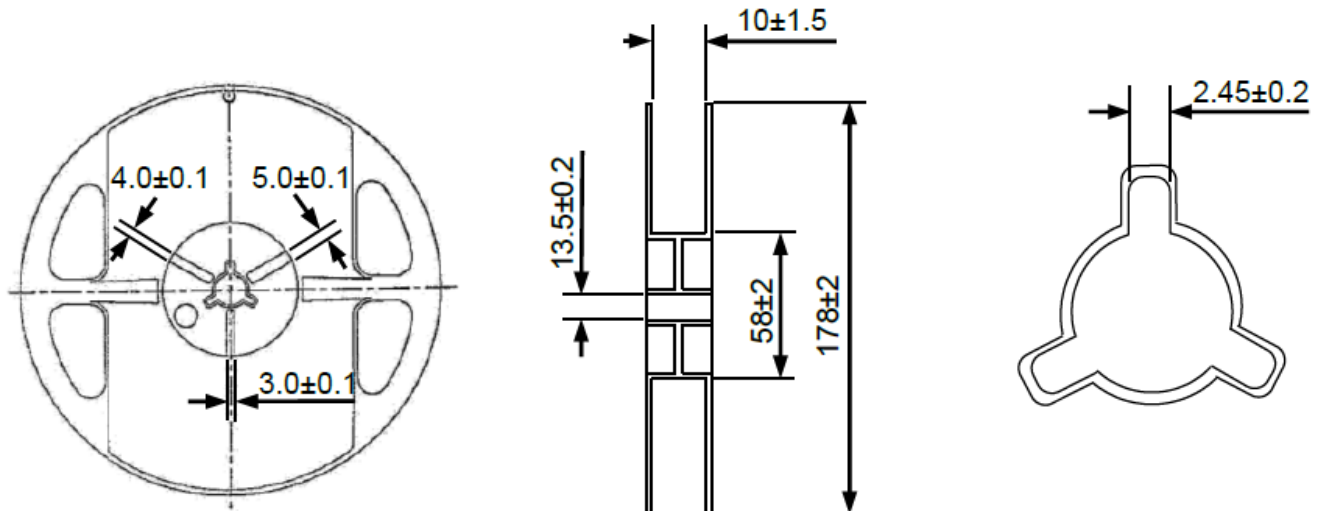
1.6 x 0.9 x 0.5 mm  
**RoHS/RoHS II Compliant**  
 MSL Level = 1

## Packaging

**Tape & Reel: 3K pcs/ reel**



Series	A	B	P	K	T
AISC-060302F	$1.10 \pm 0.10$	$1.90 \pm 0.10$	$4.0 \pm 0.10$	$0.75 \pm 0.10$	$0.80 \pm 0.10$



Dimensions: mm

**ATTENTION:** Abracon LLC's products are COTS – Commercial-Off-The-Shelf products; suitable for Commercial, Industrial and, where designated, Automotive Applications. Abracon's products are not specifically designed for Military, Aviation, Aerospace, Life-dependent Medical applications or any application requiring high reliability where component failure could result in loss of life and/or property. For applications requiring high reliability and/or presenting an extreme operating environment, written consent and authorization from Abracon LLC is required. Please contact Abracon LLC for more information.



5101 Hidden Creek Ln, Spicewood TX 78669  
 Phone: 512-371-6159 Fax: 512-351-8858  
 For terms and conditions of sales, please visit:  
[www.abracon.com](http://www.abracon.com)

**REVISION Initial Release :**  
 5/9/2023

ABRACON IS  
 ISO9001-2015  
 CERTIFIED