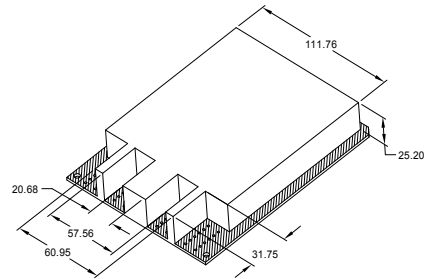
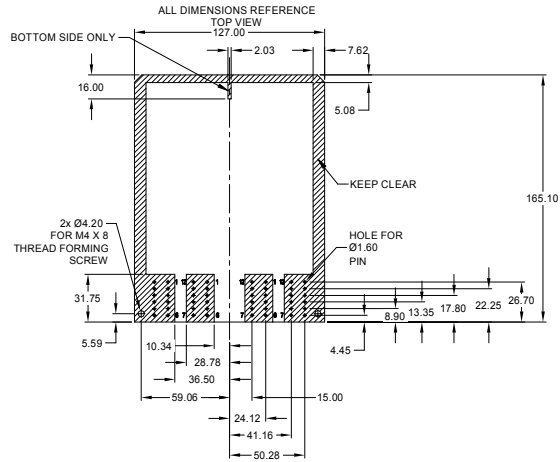


CIRCUIT BOARD HOLE LOCATIONS
LOCATIONS AND KEEP CLEAR AREAS FOR
AREAS FOR

AT13-12PA-R015, AT13-12PA-GR02
 AT13-24PAB-BM03, AT13-24PAB-BM01
 AT13-36PABC-BM03, AT13-36PABC-BM01
 AT13-48PABCD-BM03, AT13-48PABCD-BM01
 BOARD THICKNESS IN KEEP CLEAR ARE TO BE 2.36±0.1

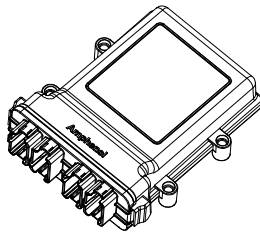
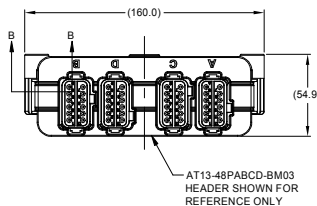
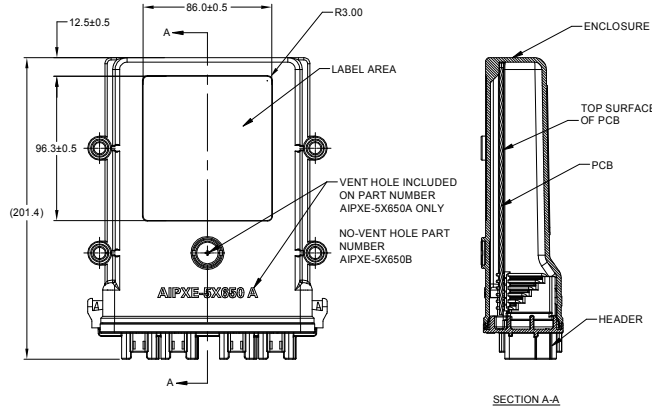
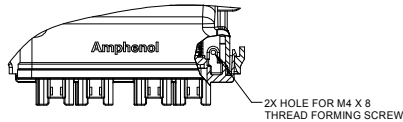


THREE DIMENSIONAL SPACE LIMIT
 APPROXIMATE INTERNAL SPACE
 FOR COMPONENT SPACE LAYOUT
 MAX. COMPONENT HEIGHT UNDER BOARD 4.00 mm.

NOTES: UNLESS OTHERWISE SPECIFIED

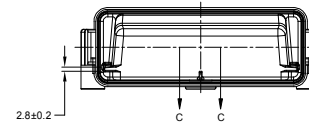
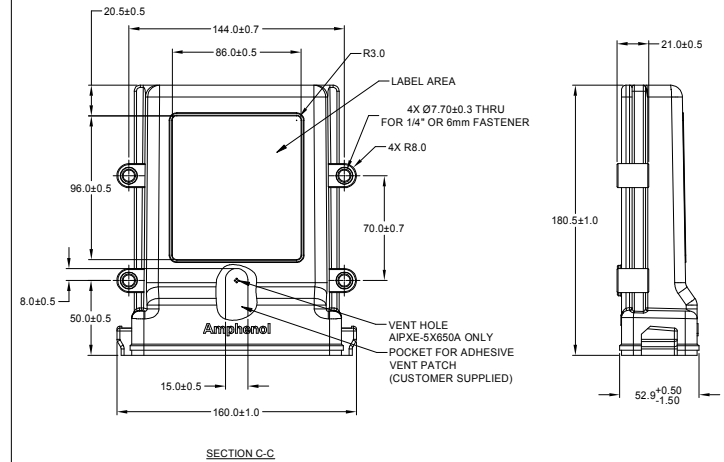
- MATERIAL: NATURAL POLYCARBONATE
- THIS ENCLOSURE MATES WITH AT13-ⁿP^m-XXXX (EXCEPT AT13-12Pⁿ-BMXX) HEADERS (ⁿ=PIN ARR. 12, 24, 36, 48; ^m=KEY ARR. A, B, C, D).
- RoHS COMPLIANT
- ALL DIMENSIONS ARE FOR REFERENCE USE ONLY.

ASSEMBLED HEADER SHOWN FOR REFERENCE



3D VIEW
 AT13-48PABCD-BM03 AND AT13-48PABCD-BM01
 HEADER AND MOUNTING
 HARDWARE SHOWN FOR REFERENCE ONLY

REVISIONS					
REV	ECO	DESCRIPTION	DATE	BY	APPR
A1	-	NEW RELEASE	12DEC2019	ZENIN	TOMMY



PART NUMBER CHART	
VENT HOLE	PART NUMBER
WITH VENT HOLES	AIPXE-5X650A-E017
WITHOUT VENT HOLES	AIPXE-5X650B-E017

SEE PART NUMBER CHART		DESCRIPTION		ITEM
QUANTITY	PART NUMBER	MATERIALS LIST		
UNLESS OTHERWISE SPECIFIED		SIGNATURES		DATE
1) All dimensions are in metric (mm).		DRAWN: ZENIN DENG	12DEC19	
2) Tolerances are as follows:		CHECKED: ORION LI	12DEC19	
1 PL DEC ±0.30		ENGINEER:		
2 PL DEC ±0.15		APPROVAL: TOMMY XIE	12DEC19	
3 PL DEC ±0.08		CUSTOMER:		
3) Note reference =		THIS DRAWING IS SUPPLIED FOR INFORMATION ONLY. DESIGN FEATURES, SPECIFICATIONS AND PERFORMANCE DATA SHOWN HEREON ARE THE PROPERTY OF THE AMPHENOL CORPORATION. NO RIGHTS OF REPRODUCTION ARE IMPLIED. ALL DIMENSIONS ARE SUBJECT TO NORMAL MANUFACTURING VARIATIONS.		
MATERIAL SPECIFICATIONS:		ARMOR IPX PCB ENCLOSURE, 127x165mm PCB, SHOWN WITH 48 PIN HEADER		
PROCESS SPECIFICATIONS:		SIZE	TYPE	DWG NO.
NEXT ASSY:		B	C-	AIPXE-5X650x-E017
		SCALE	NONE	REVISION A1
		SHEET 1 OF 1		

Amphenol

Sine Systems - www.amphenol-sine.com
 44724 Morley Drive
 Clinton Township, MI 48036

TITLE: ARMOR IPX PCB ENCLOSURE, 127x165mm PCB SHOWN WITH 48 PIN HEADER
 DWG NO.: AIPXE-5X650X-E017
 REV: A1
 SH: 1
 OF: 1