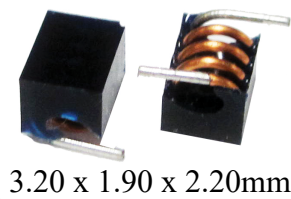


SMT Air Coil Inductor

AIAC-1008C



RoHS
Compliant



3.20 x 1.90 x 2.20mm

FEATURES:

- High current design
- Wide Range Frequency Response
- Excellent Q & SRF
- Standard flat cap top suitable for automatic placement.

APPLICATIONS:

- Widely used in Cordless Phones, High Frequency Communication Equipments, Intercom, CATV,RFID
- Suitable for metal sensors and proximity sensors
- Noise suppression for RF power supply/bias
- I/O filtering, frequency selection for audio devices such as Loudspeakers,Hifi
- Impedance Matching for transceivers
- Improves switch isolation for RF circuit

STANDARD SPECIFICATIONS:

| | |
|------------------------|------------------|
| ABRACON P/N: | AIAC-1008C |
| Operating temperature: | -40 °C ~ +125 °C |
| Storage temperature: | -25°C to + 60°C |

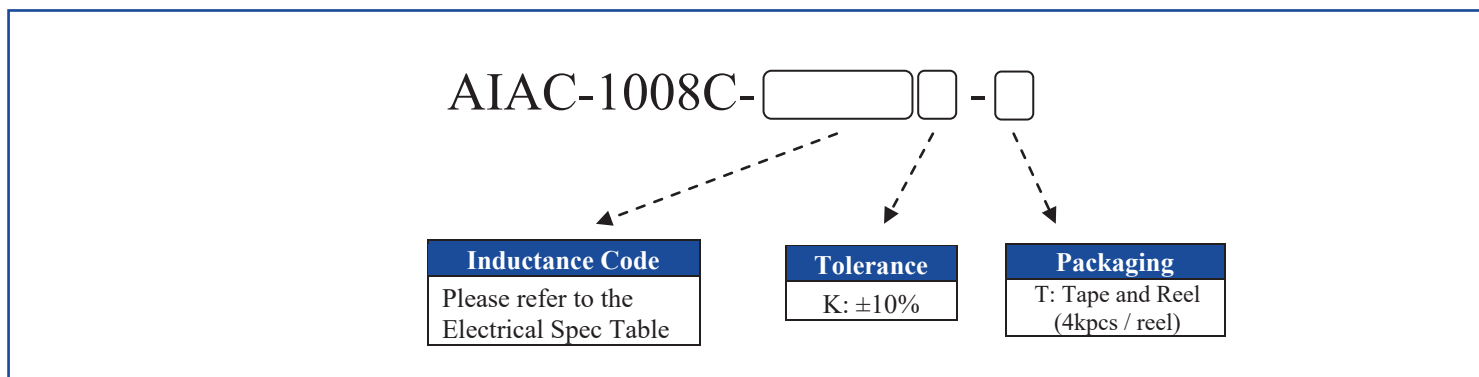
| Part Number | Inductance | Tolerance | DCR (Max) | Q(Min) | SRF(Min) | Rated Current (Max) | Inductance Code |
|----------------|------------|-----------|-----------|--------|----------|---------------------|-----------------|
| Units | nH | % | mΩ | | MHz | mA | |
| Symbol | L | K | DCR | | | IDC | |
| AIAC-1008C-6N8 | 6.8 | K | 4.0 | 80 | >3000 | 1200 | 6N8 |
| AIAC-1008C-8N2 | 8.2 | K | 5.0 | 80 | >3000 | 950 | 8N2 |
| AIAC-1008C-10N | 10 | K | 6.0 | 70 | >3000 | 950 | 10N |
| AIAC-1008C-12N | 12 | K | 6.5 | 70 | >3000 | 900 | 12N |
| AIAC-1008C-15N | 15 | K | 7.3 | 70 | 2500 | 900 | 15N |
| AIAC-1008C-18N | 18 | K | 9.6 | 70 | 2500 | 840 | 18N |
| AIAC-1008C-22N | 22 | K | 10.8 | 70 | 2400 | 840 | 22N |
| AIAC-1008C-27N | 27 | K | 13.9 | 70 | 1600 | 600 | 27N |
| AIAC-1008C-33N | 33 | K | 19.5 | 70 | 1600 | 500 | 33N |
| AIAC-1008C-39N | 39 | K | 21.6 | 70 | 1500 | 500 | 39N |

Test Conditions and equipments

Test frequency: 300MHz

Equipment: HP4286A/HP16191A

PART IDENTIFICATION:

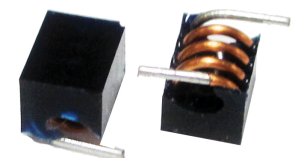


SMT Air Coil Inductor

AIAC-1008C

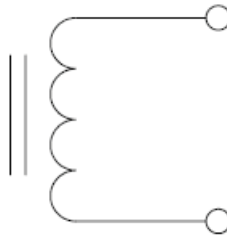
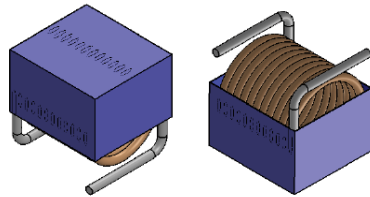
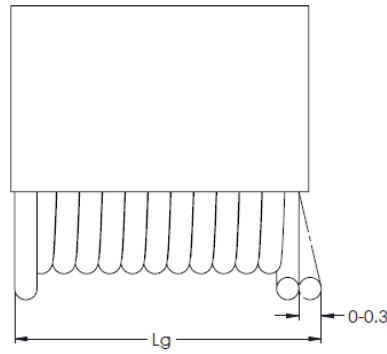
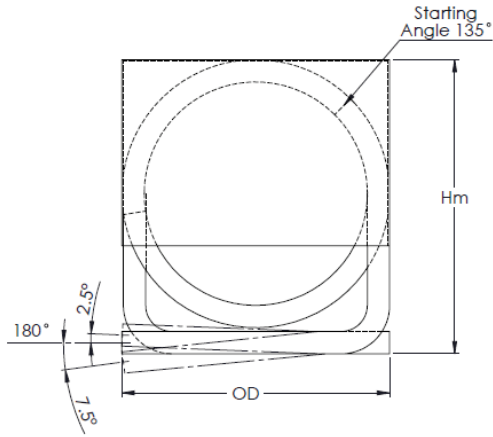


RoHS
Compliant



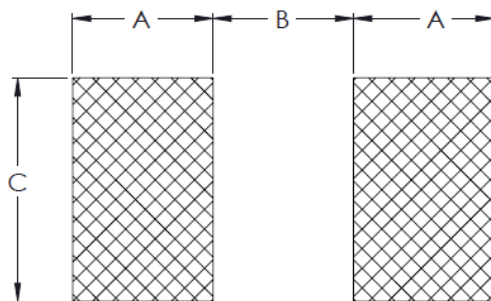
3.20 x 1.90 x 2.20mm

OUTLINE DRAWING:



| | |
|-----------|----------|
| Hm | 2.20 Max |
| OD | 1.90 Max |
| Lg | 3.20 Max |

Recommended Land Pattern



| | |
|----------|----------|
| A | 1.02 Min |
| B | 1.27 Min |
| C | 2.54 Min |

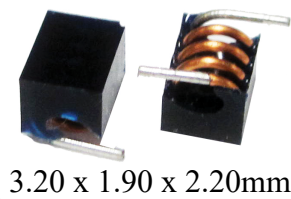
Dimension: mm

SMT Air Coil Inductor

AIAC-1008C

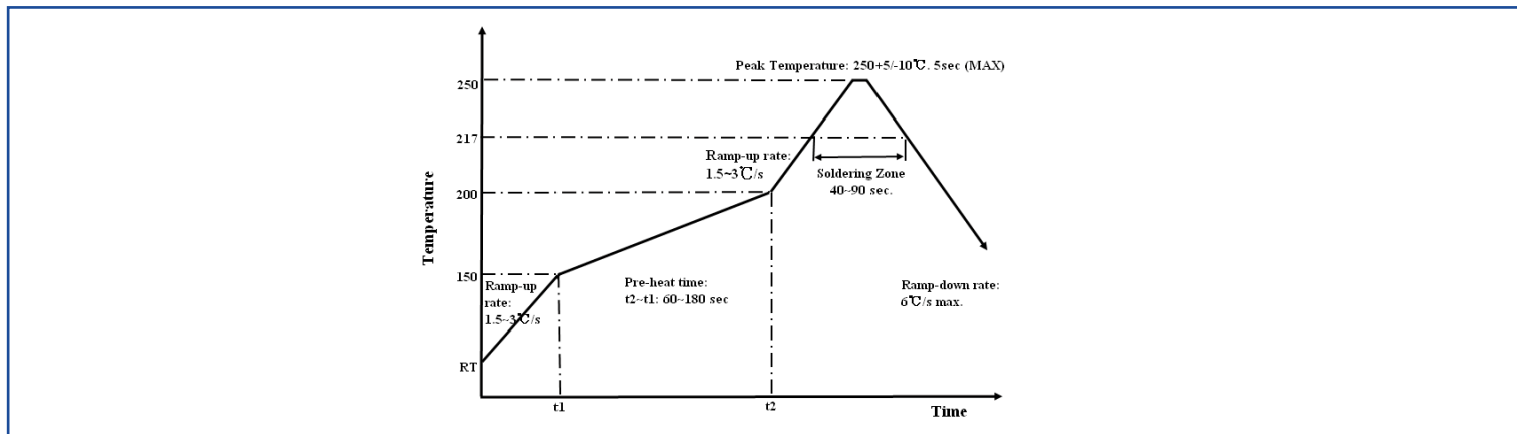


RoHS
Compliant



3.20 x 1.90 x 2.20mm

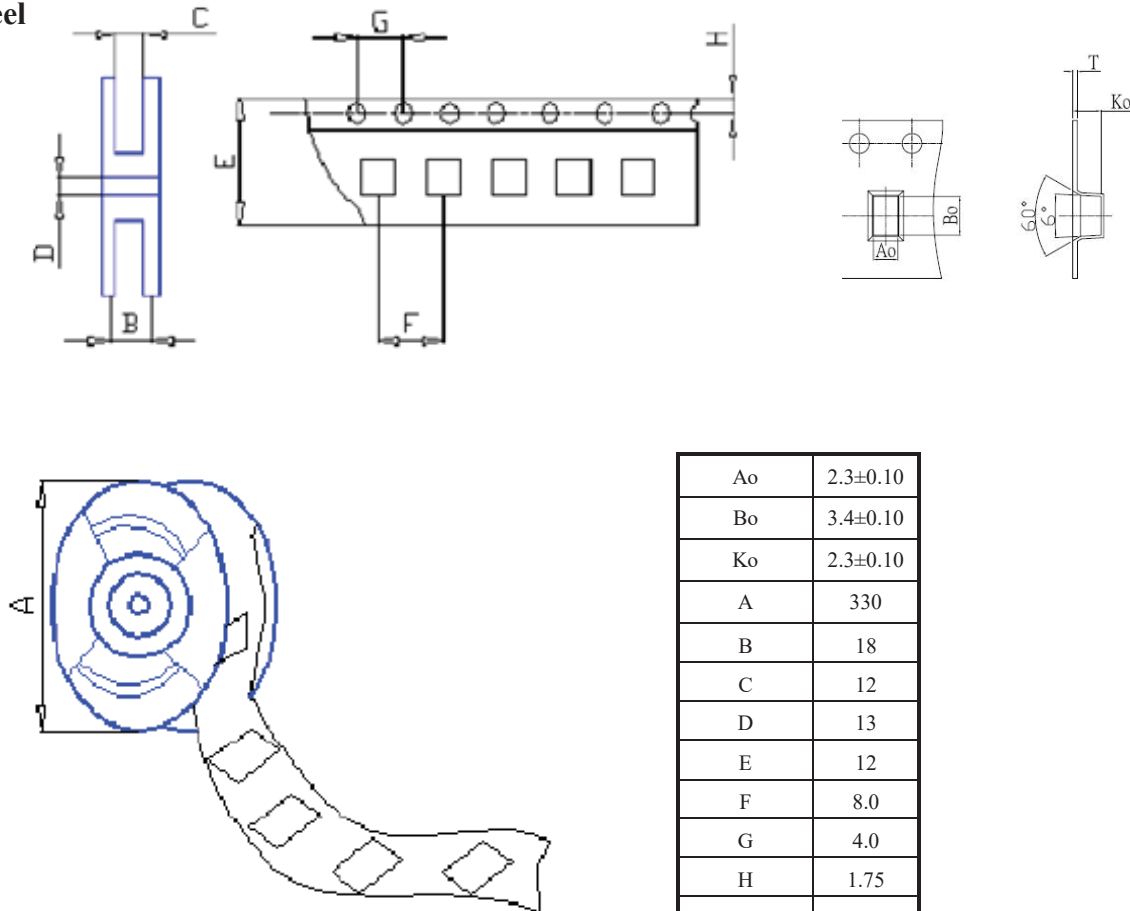
REFLOW PROFILE:



TAPE & REEL:

Packing

T: 4,000pcs / reel



Dimension: mm

ATTENTION: Abracon LLC's products are COTS – Commercial-Off-The-Shelf products; suitable for Commercial, Industrial and, where designated, Automotive Applications. Abracon's products are not specifically designed for Military, Aviation, Aerospace, Life-dependent Medical applications or any application requiring high reliability where component failure could result in loss of life and/or property. For applications requiring high reliability and/or presenting an extreme operating environment, written consent authorization from Abracon LLC is required. Please contact Abracon LLC for more information."



5101 Hidden Creek Ln Spicewood TX 78669
Phone: 512-371-6159 | Fax: 512-351-8858
For terms and conditions of sales, please visit:
www.abracon.com

REVISED: 05-26-21

ABRACON IS
ISO9001-2015
CERTIFIED