

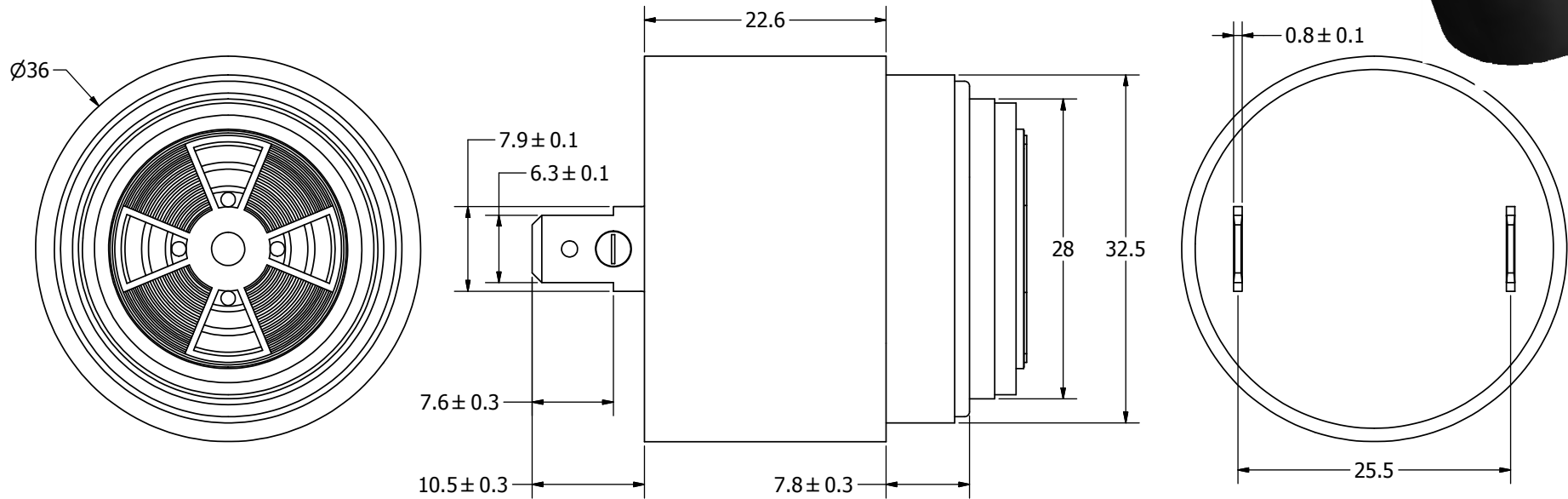
# SPECIFICATIONS

PARAMETERS	VALUES	UNITS
RATED VOLTAGE	110	Vdc
OPERATING VOLTAGE RANGE	25 ~ 130	Vdc
RATED CURRENT (MAX)	60	mA
MINIMUM SPL @ 10 CM	105	dBA
RESONANT FREQUENCY	2,900 ± 500	Hz
tone OR PULSE RATE	FAST PULSE	3 pulse /sec
OPERATING TEMPERATURE	-20 ~ +60	°C
STORAGE TEMPERATURE	-30 ~ +70	°C
HOUSING MATERIAL	PBT	-
TERMINAL MATERIAL	Sn PLATED PHOSPHOR BRONZE	-
WEIGHT	35	grams

THIS DOCUMENT CONTAINS DATA PROPRIETARY TO PROJECTS UNLIMITED, INC. ANY USE OR REPRODUCTION, IN ANY FORM, WITHOUT PRIOR WRITTEN PERMISSION OF PROJECTS UNLIMITED, INC. IS PROHIBITED.  
©2003, Projects Unlimited Inc.

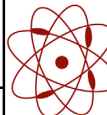
## REVISION HISTORY

LTR	DESCRIPTION	DATE	APPROVED
-	RELEASED FROM ENGINEERING	11/27/2006	
A	REVISED TO INVENTOR 3-D DRAWING TEMPLATE	2/22/2008	B.R.



### NOTES:

1. ALL DIMENSIONS ARE IN MILLIMETERS.
2. SPECIFICATIONS SUBJECT TO CHANGE OR WITHDRAWAL WITHOUT NOTICE.
3. THIS PART IS RoHS 2002/95/EC COMPLIANT.

UNLESS OTHERWISE SPECIFIED: DIMENSIONS ARE IN MILLIMETERS, TOLERANCES ARE ±0.5 AND ANGLES ARE ±3°.	SIZE <b>A3</b>	Designed by	Date	Checked by	Date	Approved by	Date	Drawn Date
		J.D.	11/27/2006	D.F.	11/28/2006	R.W.	11/28/2006	2/22/2008
AI-3629-P-FP-100V-R.idw		 <b>pui audio</b> a projects unlimited company				<b>AI-3629-P-FP-100V-R</b> Indicator		
						Edition	Sheet	
						-	1 / 1	