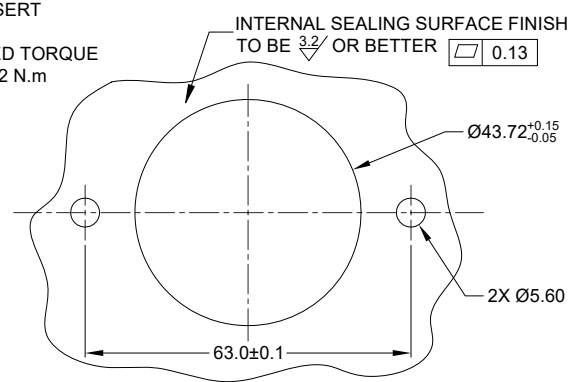
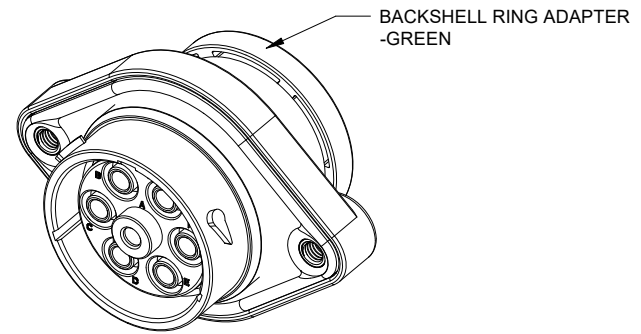


M5X0.8-6H 8mm(2X) DEEP
THREADED INSERT
RECOMMENDED TORQUE
VALUES: 1.9-2.2 N.m



RECOMMENDED PANEL
MOUNTING HOLE
RECOMMENDED PANEL
THICKNESS: 1.6 TO 4.7MM



NOTES: UNLESS OTHERWISE SPECIFIED

1. MATERIAL:
HOUSING: THERMOPLASTIC; BLACK
SEAL: SILICONE RUBBER
THREADED INSERT: STAINLESS STEEL
2. MODIFICATIONS: BACKSHELL RING ADAPTER (BRA);
STANDARD DIA. WIRE SEAL;
SEALED PANEL MOUNT
3. SPECIFICATIONS:
3.1 OPERATING TEMPERATURE: -55°C TO +125°C.
3.2 DIELECTRIC WITHSTANDING VOLTAGE: LESS THAN 2
MILLIAMPS CURRENT LEAKAGE @ 1500 VOLTS AC.
3.3 INSULATION RESISTANCE: 1000 MEGOHM MIN @ 25°C.
3.4 MOISTURE RESISTANCE:
IP68(IM OF WATER FOR A PERIOD OF 24 HOURS, MATED
CONDITION);
IP69K(MATED CONDITION)
3.5 MATING CYCLE DURABILITY: 100 CYCLES
3.6 RoHS COMPLIANT
4. MATING PART: AHDP06-24-07P* (* = SEAL TYPE)
5. ALL DIMENSIONS ARE FOR REFERENCE USE ONLY.
6. RECEPTACLE IS SUPPLIED WITH DUST CAP (NOT SHOW)

CONTACT SIZE AND WIRE RANGE:

CONTACT SIZE	MIN. INSUL O.D.	MAX. INSUL O.D.	TYPICAL WIRE RANGE	CURRENT RATING
8	4.83 mm (.190 in)	6.10 mm (.240 in)	7-10 AWG (10.0-5.0 mm ²)	80 AMPS
12	3.40 mm (.134in)	4.32 mm (.170in)	10-14 AWG (6.0-2.0mm ²)	25 AMPS

REVISIONS					
REV	ECO	DESCRIPTION	DATE	BY	APPR
A1	--	RELEASE NEW DRAWING	20/APR/22	MILO	TOMMY

QUANTITY	AHDP02-24-07SN-BRA	DESCRIPTION	ITEM
	PART NUMBER		
MATERIALS LIST			
UNLESS OTHERWISE SPECIFIED 1) All dimensions are in metric(mm). 2) Tolerance are as follows: 1 PL DEC ±0.30 Fractions ±1/64 2 PL DEC ±0.15 Angles ±1° 3 PL DEC ±0.08 3) Note reference =		SIGNATURES	DATE
MATERIAL SPECIFICATIONS: WEIGHT: 69.8g		DRAWN: MILO	20/APR/22
PROCESS SPECIFICATIONS:		CHECKED: SULLEN	21/APR/22
NEXT ASSY:		ENGINEER:	APPROVAL: TOMMY 22/APR/22
		CUSTOMER:	
		THIS DRAWING IS SUPPLIED FOR INFORMATION ONLY. DESIGN FEATURES, SPECIFICATIONS AND PERFORMANCE DATA SHOWN HEREON ARE THE PROPERTY OF THE AMPHENOL CORPORATION. NO RIGHTS OF REPRODUCTION ARE IMPLIED. ALL DIMENSIONS ARE SUBJECT TO NORMAL MANUFACTURING VARIATIONS.	
SIZE	TYPE	DWG NO.	REVISION
B	C-	AHDP02-24-07SN-BRA	A1
SCALE:	NONE	DURAMATE	SHEET 1 OF 1

TITLE: 7POS, RECEPT, SOCKET, PANELMATE AHDP SIZE 24, NORMAL SEAL, BRA
DWG NO.: AHDP02-24-07SN-BRA
REV: A1
SH: 1
OF: 1