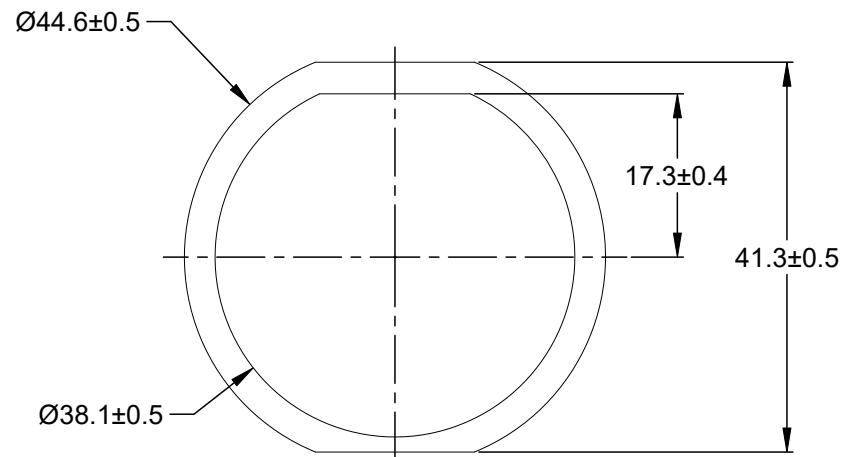
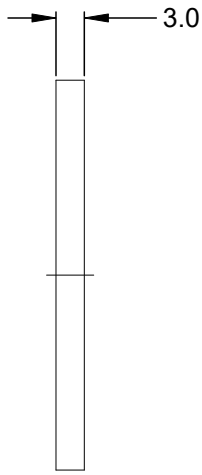


REVISIONS					
REV	ECO	DESCRIPTION	DATE	BY	APPR
01		PRELIMINARY DRAWING	01SEP16	SULLEN	TOMMY
A1		ADDED "AHDM" TO NOTE 4	14AUG23	JAH	DH



NOTES: UNLESS OTHERWISE SPECIFIED

1. MATERIAL: CLD CELL SPONGE
2. COLORS: BLACK
3. RoHS COMPLIANT
4. USE WITH AHDP & AHDM SERIES SIZE 18 RECEPTACLE
5. ALL DIMENSIONS ARE FOR REFERENCE USE ONLY.

AHDP-16-04978						
PART NUMBER		DESCRIPTION			ITEM	
QUANTITY	MATERIALS LIST					
<small>UNLESS OTHERWISE SPECIFIED</small> 1) All dimensions are in metric(mm). 2) Tolerances are as follows: 1 PL DEC ±0.30 2 PL DEC ±0.15 3 PL DEC ±0.08 Fractions ±1/64 Angles ±1° 3) Note reference =	SIGNATURES	DATE	<h1>Amphenol</h1> Sine Systems - www.amphenol-sine.com 44724 Morley Drive Clinton Township, MI 48036			
	DRAWN: SULEN.ZHANG	11ARP17				
	CHECKED: ORION.LI	11ARP17				
	ENGINEER:					
	APPROVAL: TOMMY.XIE	11ARP17				
MATERIAL SPECIFICATIONS:	CUSTOMER:		GASKET, RECEPTACLE, SIZE 18			
PROCESS SPECIFICATIONS:	THIS DRAWING IS SUPPLIED FOR INFORMATION ONLY. DESIGN FEATURES, SPECIFICATIONS AND PERFORMANCE DATA SHOWN HEREON ARE THE PROPERTY OF THE AMPHENOL CORPORATION. NO RIGHTS OF REPRODUCTION ARE IMPLIED. ALL DIMENSIONS ARE SUBJECT TO NORMAL MANUFACTURING VARIATIONS.		SIZE	TYPE	DWG NO:	REVISION
NEXT ASSY:			A	C-	AHDP-16-04978	A1
			SCALE: NONE	SHEET 1 OF 1		