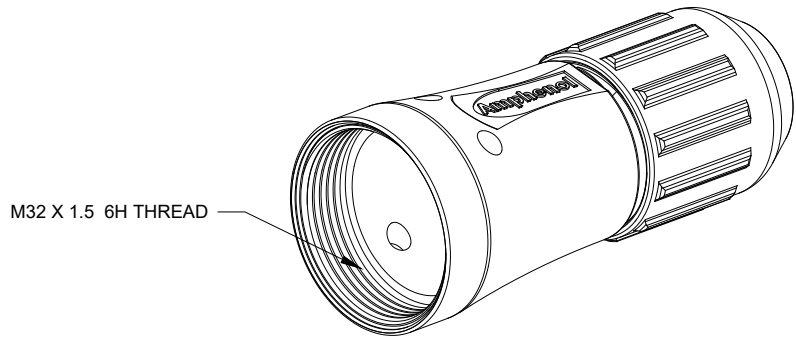
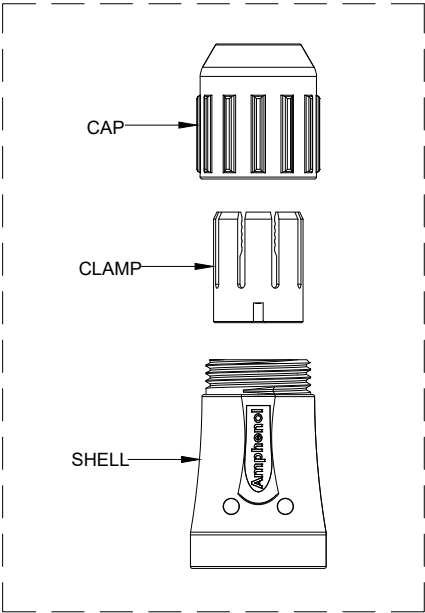
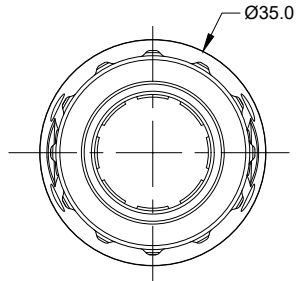
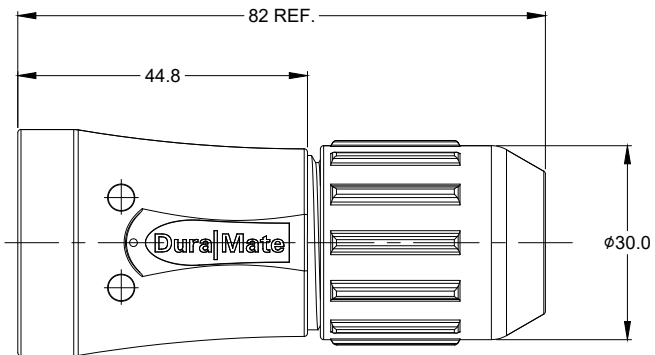


REVISIONS					
REV	ECO	DESCRIPTION	DATE	BY	APPR
A1	--	RELEASE NEW DRAWING	26/SEP/18	ROOKIE	TOMMY



NOTES: UNLESS OTHERWISE SPECIFIED

- MATERIAL:
SHELL: ALUMINIUM ALLOY, NICKEL PLATED;
CAP AND CLAMP: THERMOPLASTIC.
- USE WITH AHDM SERIES SIZE 18 MODIFICATION .
- APPLY TO CABLE OD SIZE: $\phi 14.5 \sim \phi 18.0$.
- RoHS COMPLIANT.
- ALL DIMENSIONS ARE FOR REFERENCE USE ONLY.

TITLE: BACKSHELL, 18 SZ, AHDM
DWG NO: AHDMBS-18-002
REV: A1
SH: 1
OF: 1

AHDMS-18-002		DESCRIPTION		ITEM
PART NUMBER		DESCRIPTION		ITEM
QUANTITY		MATERIALS LIST		
UNLESS OTHERWISE SPECIFIED: 1) All dimensions are in metric(mm). 2) Tolerances are as follows: 1 PL DEC ± 0.30 Fractions $\pm 1/64$ 2 PL DEC ± 0.15 Angles $\pm 1^\circ$ 3 PL DEC ± 0.08 3) Note reference = Δ		SIGNATURES		DATE
MATERIAL SPECIFICATIONS:		DRAWN: ROOKIE		26/SEP/18
PROCESS SPECIFICATIONS:		CHECKED: ORION		26/SEP/18
NEXT ASSY:		ENGINEER:		
		APPROVAL: TOMMY		26/SEP/18
		CUSTOMER:		
		THIS DRAWING IS SUPPLIED FOR INFORMATION ONLY. DESIGN FEATURES, SPECIFICATIONS AND PERFORMANCE DATA SHOWN HEREON ARE THE PROPERTY OF THE AMPHENOL CORPORATION. NO RIGHTS OF REPRODUCTION ARE IMPLIED. ALL DIMENSIONS ARE SUBJECT TO NORMAL MANUFACTURING VARIATIONS.		
		 Sine Systems - www.amphenol-sine.com 44724 Morley Drive Clinton Township, MI 48036		
		BACKSHELL, 18 SZ, AHDM		
SIZE	TYPE	DWG NO:	REVISION	
B	C-	AHDMS-18-002	A1	
SCALE: NONE		SHEET 1 OF 1		