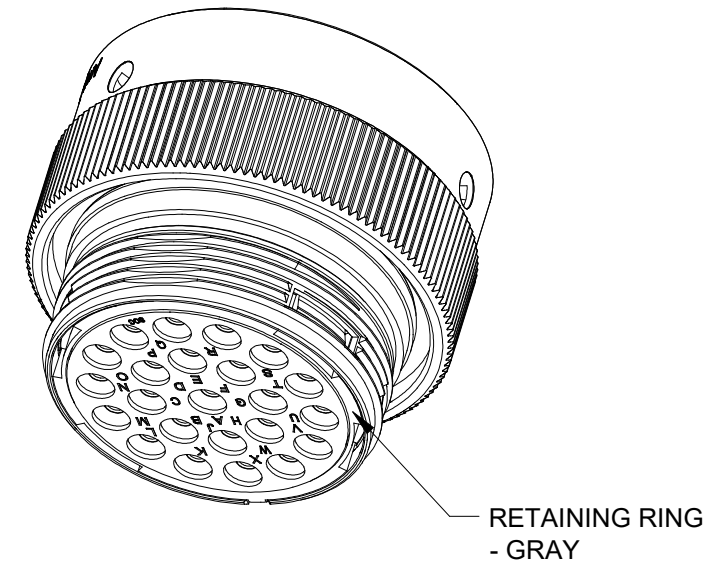
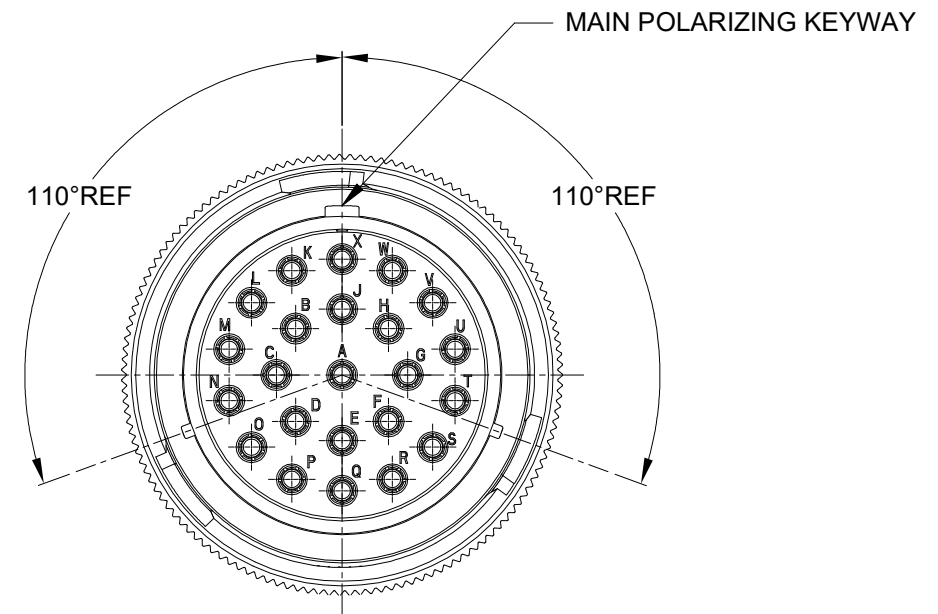
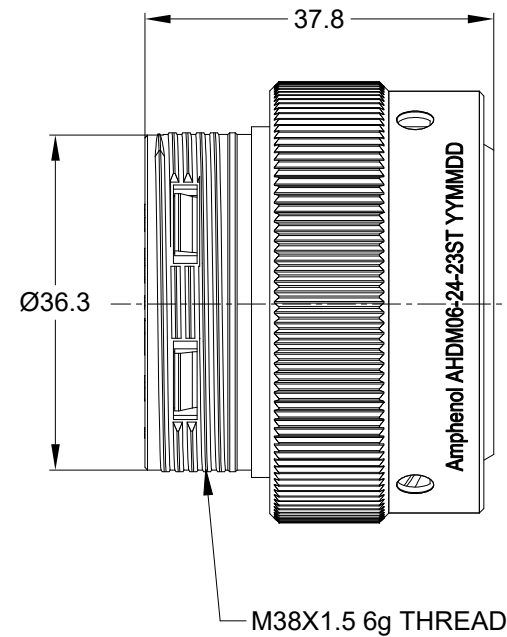
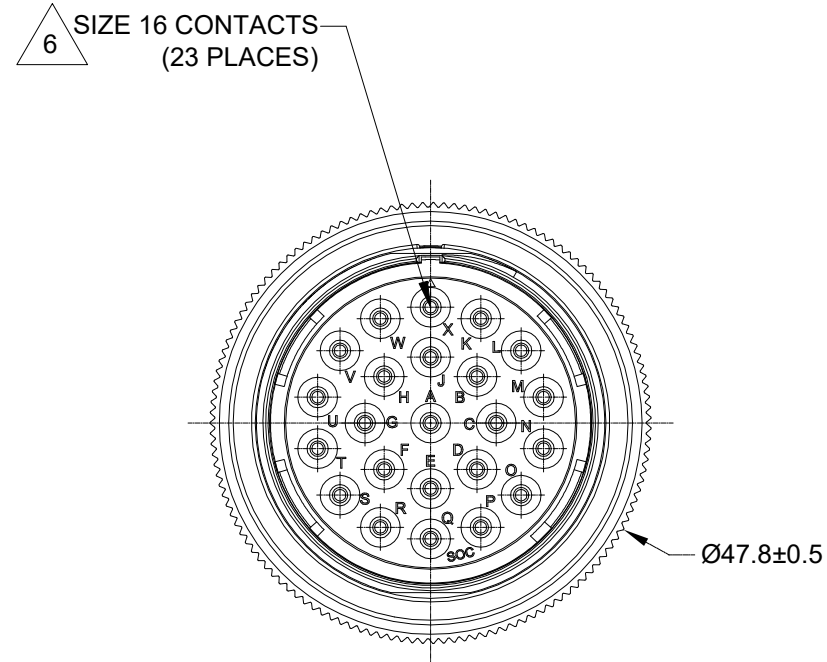


REVISIONS					
REV	ECO	DESCRIPTION	DATE	BY	APPR
A1	--	RELEASE NEW DRAWING	16/NOV/22	MILO	TOMMY



NOTES: UNLESS OTHERWISE SPECIFIED

- MATERIAL:
SHELL: ZINC ALLOY, NICKEL PLATED
COUPLING RING: ALUMINUM ALLOY, NICKEL PLATED
INSERT AND RETAINING RING: THERMOPLASTIC
SEAL: SILICONE RUBBER
- MODIFICATIONS: THREADED HOUSING; THIN WALL DIA. WIRE SEAL
- SPECIFICATIONS:
 - OPERATING TEMPERATURE: -55°C TO +125°C.
 - DIELECTRIC WITHSTANDING VOLTAGE: LESS THAN 2 MILLIAMPS CURRENT LEAKAGE @ 1500 VOLTS AC.
 - INSULATION RESISTANCE: 1000 MEGOHM MIN @ 25°C.
 - MOISTURE RESISTANCE:
IP68(IM OF WATER FOR A PERIOD OF 24 HOURS, MATED CONDITION);
IP69K(MATED CONDITION)
 - MATING CYCLE DURABILITY: 100 CYCLES
 - RoHS COMPLIANT
- MATING PART: AHDM04-24-23P* (* = SEAL TYPE)
- ALL DIMENSIONS ARE FOR REFERENCE USE ONLY.

6 CONTACT SIZE AND WIRE RANGE:

CONTACT SIZE	MIN.INSUL O.D	MAX.INSUL O.D	WIRE RANGE mm ²
16	2.23mm (.088in)	2.69mm (.106in)	14-20AWG (2.0-0.5mm ²)

TITLE: 23POS,PLUG,SOCKET,SZ24,THIN WIRE SEAL,AHDM
DWG NO: AHDM06-24-23ST
REV: A1
SH: 1
OF: 1

QUANTITY	PART NUMBER	DESCRIPTION	ITEM
	AHDM06-24-23ST	REF: HD36-24-23ST	
MATERIALS LIST			
UNLESS OTHERWISE SPECIFIED 1) All dimensions are in metric(mm). 2) Tolerances are as follows: 1 PL DEC ±0.30 2 PL DEC ±0.15 3 PL DEC ±0.08 3) Note reference = X		SIGNATURES DRAWN: MILO.DONG CHECKED: SULLENZHANG ENGINEER: APPROVAL: TOMMY.XIE CUSTOMER:	DATE 18/NOV/22 17/NOV/22 18/NOV/22
MATERIAL SPECIFICATIONS: WEIGHT: 89.0g		Amphenol Sine Systems - www.amphenol-sine.com 44724 Morley Drive Clinton Township, MI 48036	
PROCESS SPECIFICATIONS:		23POS,PLUG,SOCKET,SZ24, THIN WIRE SEAL,AHDM	
NEXT ASSY:		SIZE B C-	DWG NO: AHDM06-24-23ST
		SCALE: NONE	REVISION A1
		DURAMATE	SHEET 1 OF 1