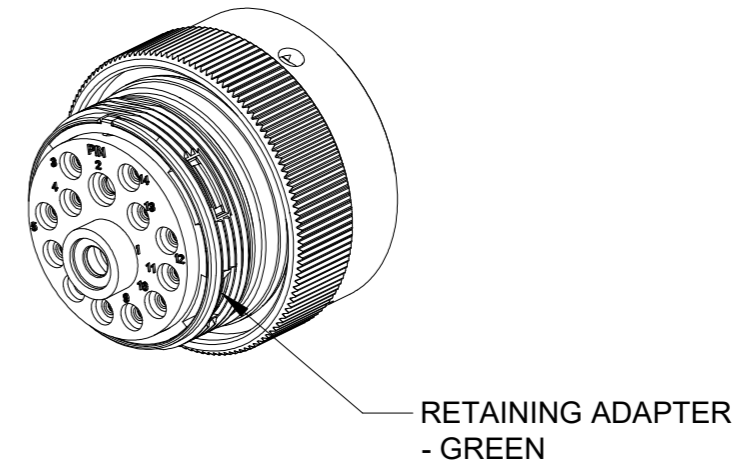
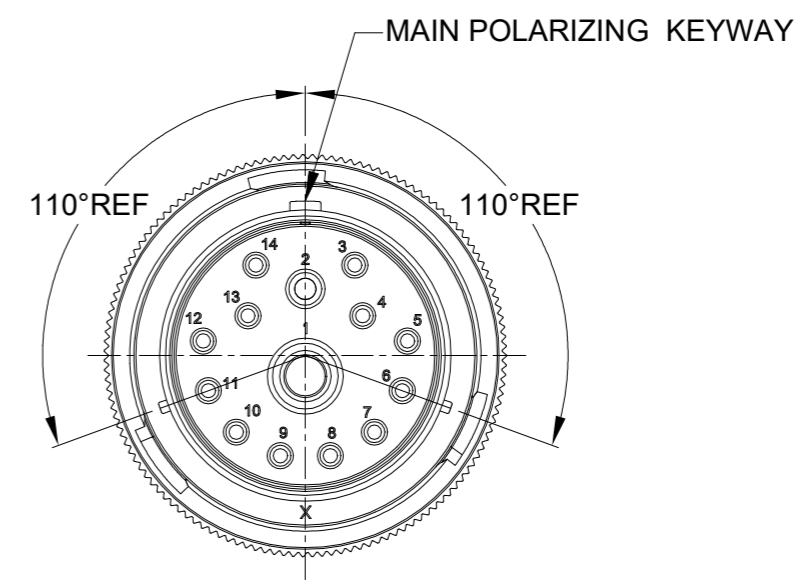
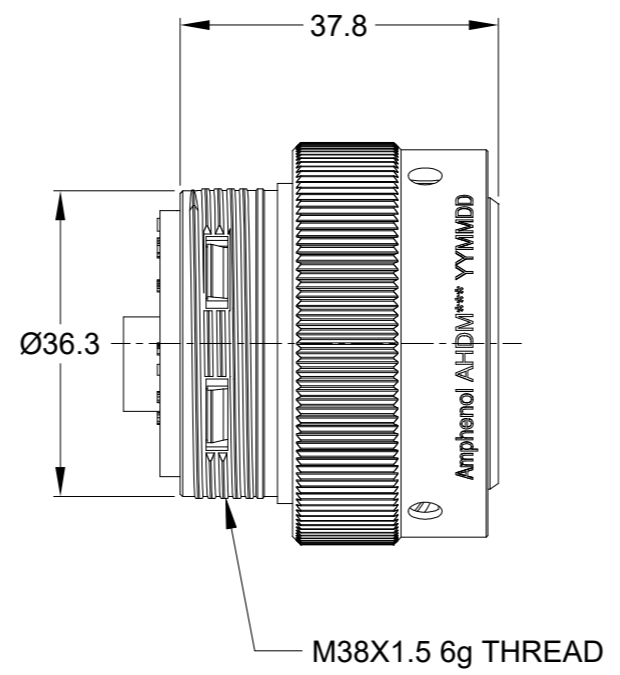
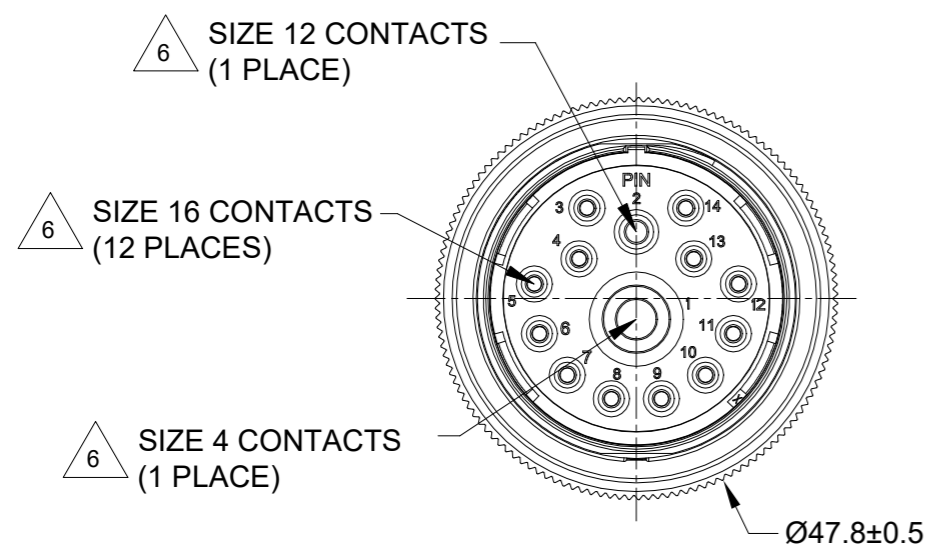


REVISIONS					
REV	ECO	DESCRIPTION	DATE	BY	APPR
A1	-	RELEASE NEW DRAWING	Nov/02/22	LUCAS	TOMMY



- NOTES: UNLESS OTHERWISE SPECIFIED
- MATERIAL:
    - SHELL: ZINC ALLOY, NICKEL PLATED
    - COUPLING RING: ALUMINUM ALLOY, NICKEL PLATED
    - INSERT AND RETAINING RING: THERMOPLASTIC
    - SEAL: SILICONE RUBBER
  - MODIFICATIONS: THREADED HOUSING; NORMAL DIA. WIRE SEAL.
  - SPECIFICATIONS:
    - 3.1 OPERATING TEMPERATURE: -55°C TO +125°C.
    - 3.2 DIELECTRIC WITHSTANDING VOLTAGE: LESS THAN 2 MILLIAMPS CURRENT LEAKAGE @ 1500 VOLTS AC.
    - 3.3 INSULATION RESISTANCE: 1000 MEGOHM MIN @ 25°C.
    - 3.4 MOISTURE RESISTANCE: IP67&IP69K ( MATED CONDITION ).
    - 3.5 MATING CYCLE DURABILITY: 100 CYCLES
    - 3.6 RoHS COMPLIANT
  - MATING PART: AHDM04-24-14S\* (\* = SEAL TYPE)
  - ALL DIMENSIONS ARE FOR REFERENCE USE ONLY.

△ CONTACT SIZE AND WIRE RANGE:

CONTACT SIZE	MIN. INSUL O.D.	MAX. INSUL O.D.	TYPICAL WIRE RANGE	CURRENT RATING
4	6.63 mm (.261 in)	7.41 mm (.292 in)	6 AWG (16.0-13.0mm <sup>2</sup> )	100 AMPS
12	3.43 mm (.135 in)	4.32 mm (.170 in)	10-14 AWG (6.0-2.0mm <sup>2</sup> )	25 AMPS
16	2.54 mm (.100 in)	3.40 mm (.134 in)	14-20 AWG (2.0-0.5mm <sup>2</sup> )	13 AMPS

AHDM06-24-14PN		REF:HD36-24-14PN		
PART NUMBER		DESCRIPTION		
QUANTITY	MATERIALS LIST			ITEM
UNLESS OTHERWISE SPECIFIED				
1) All dimensions are in metric(mm).				
2) Tolerances are as follows:				
1 PL DEC ±0.30				
2 PL DEC ±0.15				
3 PL DEC ±0.08				
Fractions ±1/64				
Angles ±1°				
3) Note reference = △				
SIGNATURES		DATE		
DRAWN: LUCAS,CHAI		Nov/02/22		
CHECKED: ORION,LI		Nov/04/22		
ENGINEER:				
APPROVAL: TOMMY,XIE		Nov/07/22		
MATERIAL SPECIFICATIONS:		CUSTOMER:		
PROCESS SPECIFICATIONS:		THIS DRAWING IS SUPPLIED FOR INFORMATION ONLY. DESIGN FEATURES, SPECIFICATIONS AND PERFORMANCE DATA SHOWN HEREON ARE THE PROPERTY OF THE AMPHENOL CORPORATION. NO RIGHTS OF REPRODUCTION ARE IMPLIED. ALL DIMENSIONS ARE SUBJECT TO NORMAL MANUFACTURING VARIATIONS.		
NEXT ASSY:				
SIZE B C-		DWG NO: AHDM06-24-14PN		
SCALE: NONE		REVISION A1		
		SHEET 1 OF 1		

TITLE: PLUG,24 SZ,14 PIN,NORMAL SEAL,DURAMATE-AHDM  
 DWG NO: AHDM06-24-14PN  
 REV: A1  
 SH: 1  
 OF: 1