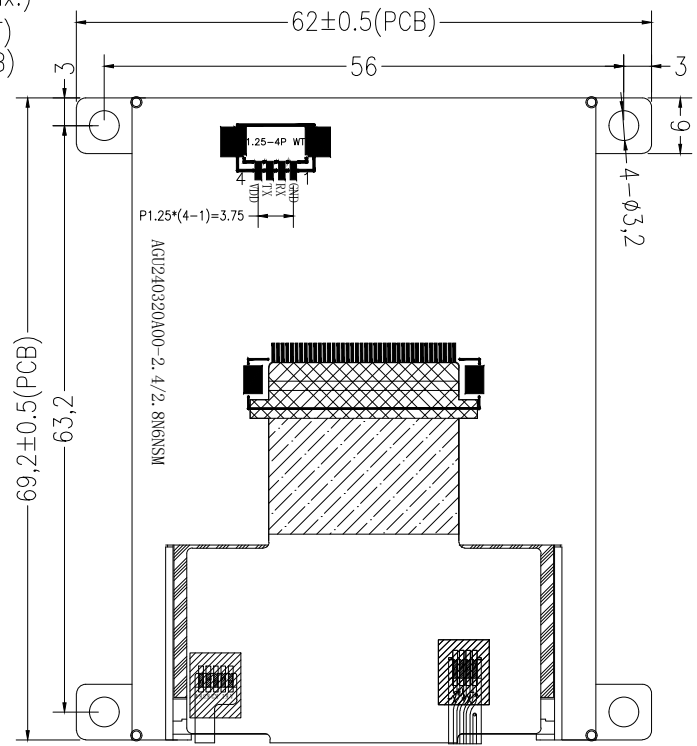
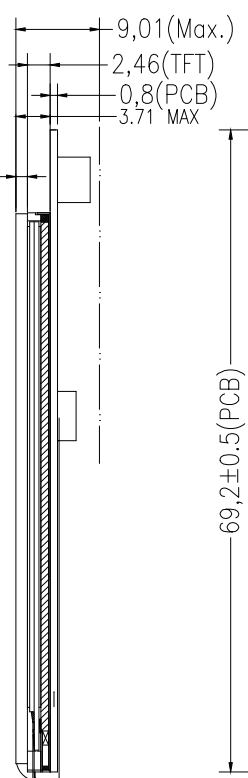
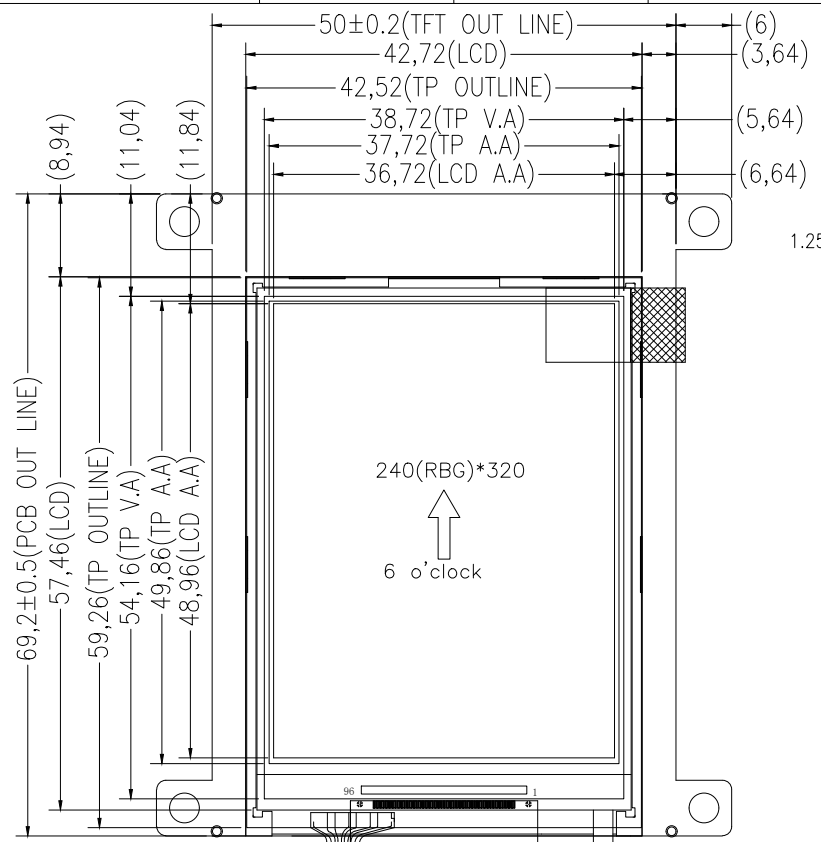


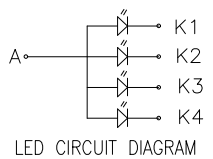
THIS DRAWING IS PROPERTY OF ORIENT DISPLAY. ALL RIGHTS RESERVED.

ITEM		PARAMETERS		ITEM		PARAMETERS		ITEM		PARAMETERS	
DISPLAY TYPE		TN TRANSMISSIVE POSITIVE		VIEWING DIRECTION		6 O'CLOCK		LCD OPERATING VOLTAGE		3.3V	
RESOLUTION (H*V)		2.4" 240*320 PIXELS		OPERATION TEMPERATURE		-20°C TO +70°C		LOGIC VOLTAGE		3.3V	
POLARIZER TYPE		TRANSMISSIVE		STORAGE TEMPERATURE		-30°C TO +80°C		GREYSCALE SUPPORT		/	
								BACKLIGHT		4-CHIP WHITE LED	
								CONNECTOR		ZIF	



PIN DEFINE

PIN NO.	SYMBOL
1	GND
2	RX
3	TX
4	VDD



V1	增加RTP,完善相关标注	2022-4-20
V0	FIRST ISSUE	2021-12-24
REV.	DESCRIPTION	DATE

TITLE	LCM	PART NO.	AGU240320A00-2.4N6NSM-R
REV.	V1	CUSTOMER NO.	AGU240320A00-2.4N6NSM-R
SCALE	FIT	UNIT	mm
ROHS/REACH COMPLIANT	YES	CUSTOMER'S APPROVAL	
UNMARKED TOLERANCE	±0.3		