

SMD 1575.420MHz SAW FILTER

AFS1575.42S4



**RoHS
Compliant**



3.0 x 3.0 x 1.5mm

FEATURES:

- Small package 3.0 x 3.0 x 1.5mm
- Low Insertion Loss
- Excellent Attenuation Bandwidth
- 50ohm termination impedance
- High input power rating 10dBm

APPLICATIONS:

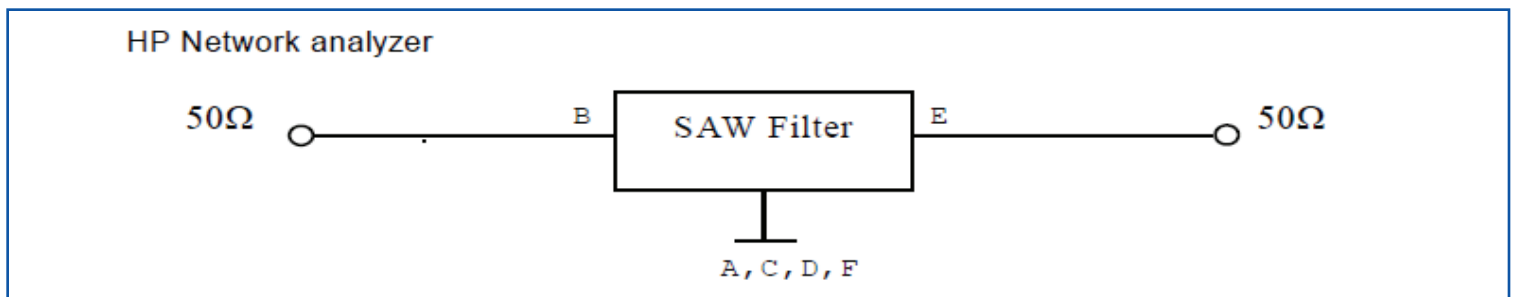
- GPS
- RF devices

ELECTRICAL SPECIFICATIONS:

Item	Value
Operating temperature range	-40°C to +85°C
Storage temperature range	-50°C to +100°C
DC Permissive Voltage	0V DC max.
Maximum Input Power	10 dBm

Item	Min	Typ	Max	Unit	
Center Frequency (F_c)	--	1575.42	--	MHz	
Insertion Loss (IL) 1574.22~1576.62MHz	--	1.5	2.0	dB	
Amplitude Ripple (p-p) 1574.22~1576.62MHz	--	0.15	1.0	dB	
Attenuation (reference level from 0dB)	DC ~ 1382 MHz	37	40	--	dB
	1382 ~ 397 MHz	40	47	--	
	1397 ~ 1478 MHz	40	45	--	
	1478 ~ 1487 MHz	40	47	--	
	1487 ~ 1500 MHz	30	52	--	
	1625 ~ 1640 MHz	30	49	--	
	1640 ~ 2000MHz	38	42	--	
	2000 ~ 3000 MHz	33	38.5	--	
VSWR within 1574.22~1576.62MHz	--	1.1	2.0		
Source Impedance Z_S	--	50	--	?	
Load Impedance Z_L	--	50	--		

TEST CIRCUIT



ABRACON IS
ISO9001:2008
CERTIFIED



**ABRACON
CORPORATION**

Visit www.abracon.com for Terms & Conditions of Sale **Revised: 11.18.10**
30332 Esperanza, Rancho Santa Margarita, California 92688
tel 949-546-8000 | fax 949-546-8001 | www.abracon.com

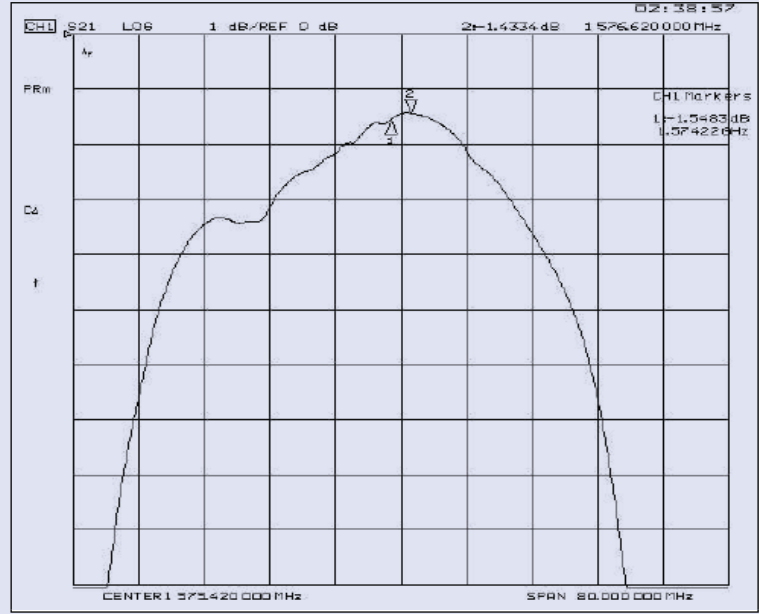
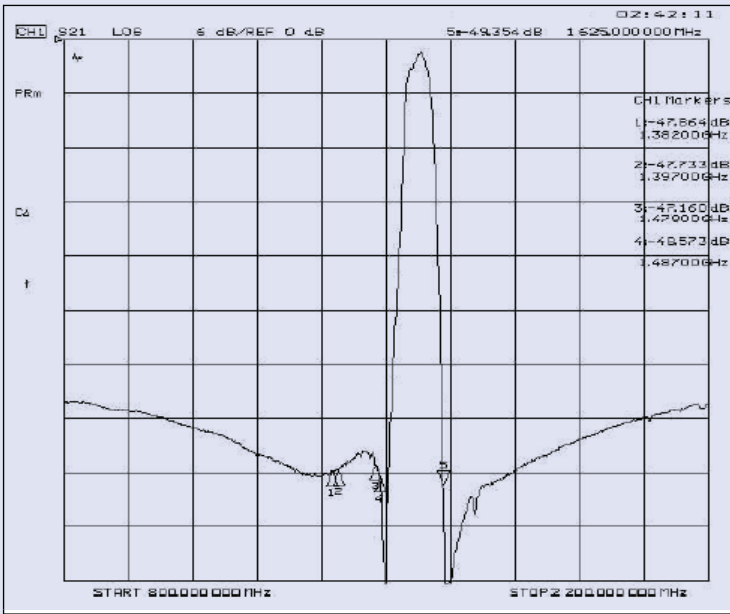
SMD 1575.420MHz SAW FILTER

AFS1575.42S4



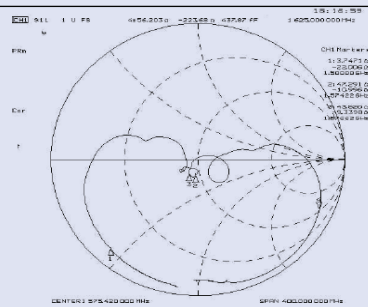
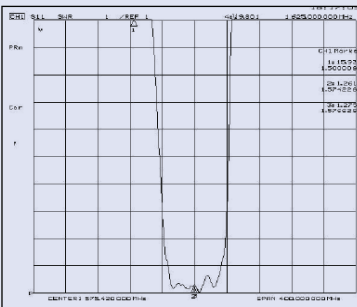
3.0 x 3.0 x 1.5mm

FREQUENCY CHARACTERISTICS:

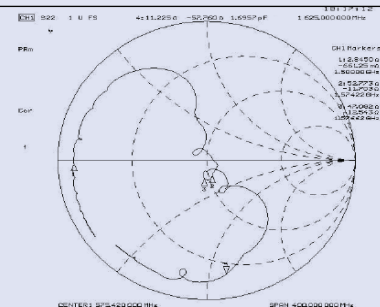
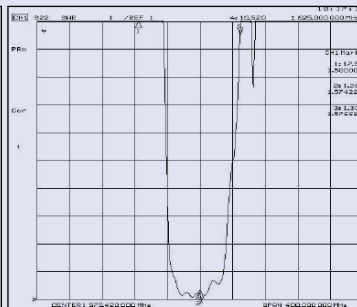


REFLECTIONS FUNCTIONS:

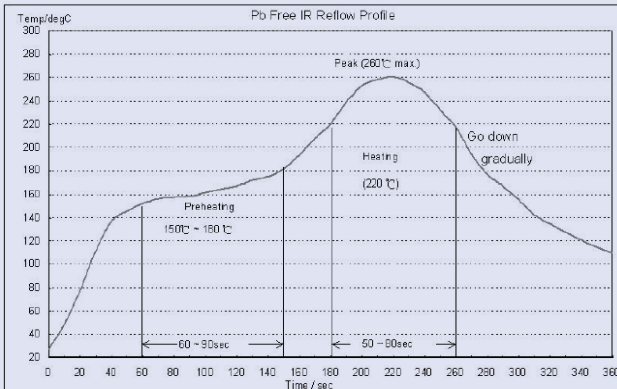
S11 VSWR



S22 VSWR



REFLOW PROFILE:



1. Preheating shall be fixed at 150~180°C for 60~90 seconds.
2. Ascending time to preheating temperature 150°C shall be 30 seconds min.
3. Heating shall be fixed at 220°C for 50~80 seconds and at 250±10°C peak (max. 10sec).



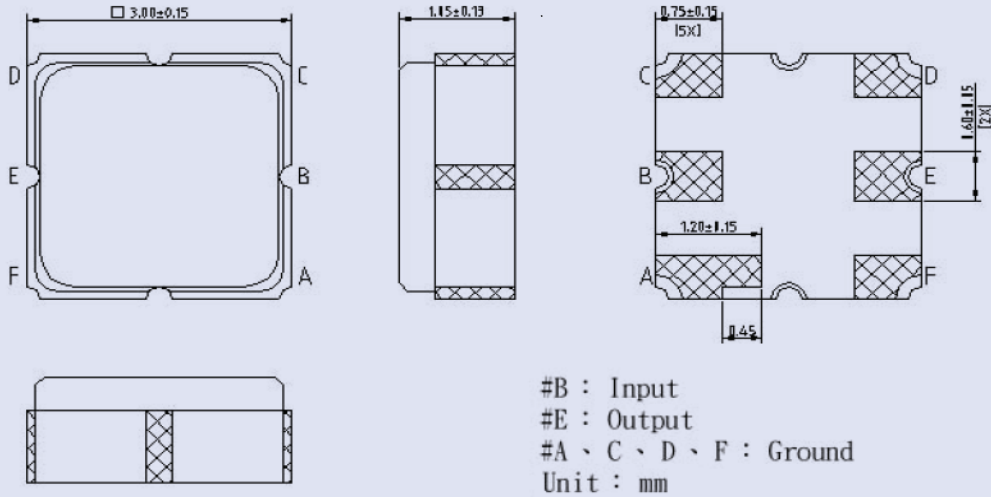
SMD 1575.420MHz SAW FILTER

AFS1575.42S4

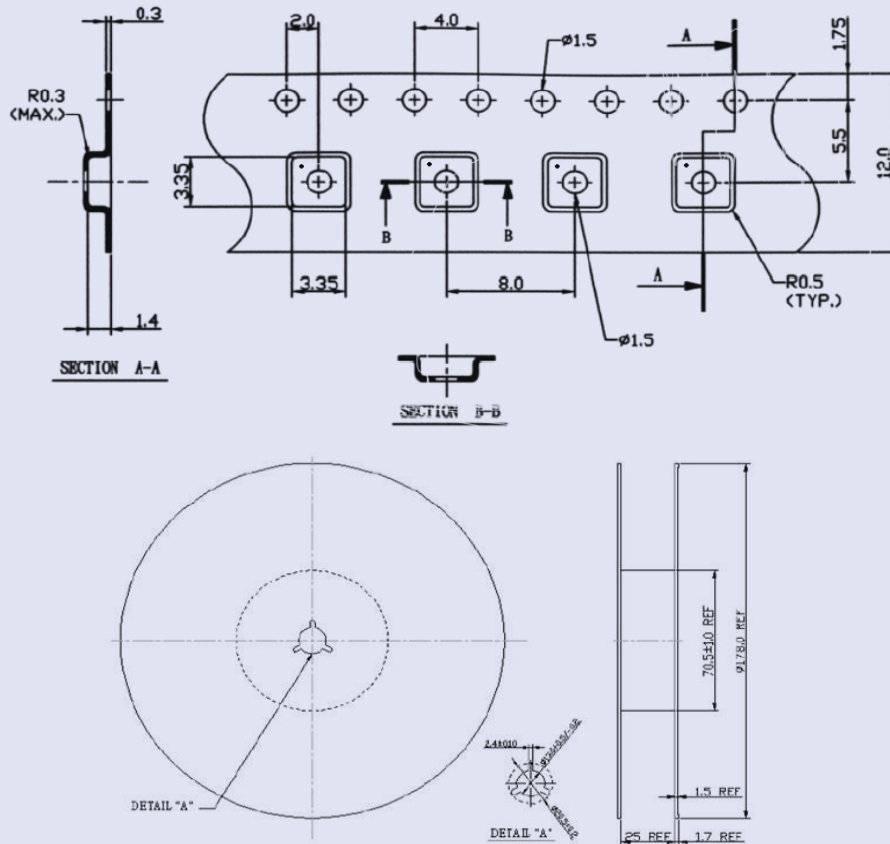


3,0 x 3,0 x 1,5mm

OUTLINE DIMENSIONS:



PACKING: Tape and reel (1,000 pcs/reel)



ATTENTION: Abracon Corporation's products are COTS – Commercial-Off-The-Shelf products; suitable for Commercial, Industrial and, where designated, Automotive Applications. Abracon's products are not specifically designed for Military, Aviation, Aerospace, Life-dependant Medical applications or any application requiring high reliability where component failure could result in loss of life and/or property. For applications requiring high reliability and/or presenting an extreme operating environment, written consent and authorization from Abracon Corporation is required. Please contact Abracon Corporation for more information.

ABRACON IS
ISO9001:2008
CERTIFIED



Visit www.abracon.com for Terms & Conditions of Sale **Revised: 11.18.10**
 30332 Esperanza, Rancho Santa Margarita, California 92688
 tel 949-546-8000 | fax 949-546-8001 | www.abracon.com