

Tri band Wi-Fi6E Flexible Printed Antenna (2.4/5/6 GHz)

AFB4714A-0190S

Request Samples



Check Inventory



47 x 14 x 0.4 mm
RoHS Compliant
MSL Level = N/A

Features

- Tri-band Wi-Fi6E 2.4/5/6GHz
- Compact design
- High Gain
- High Efficiency
- Easy installation using adhesive tape
- Fully customizable cable and connector options for RF connection

Applications

- IoT
- M2M
- Wearables
- Set Top Boxes
- Transportation
- Home Automation
- Smart Metering/City

Product Image



Tri band Wi-Fi6E Flexible Printed Antenna (2.4/5/6 GHz)

AFB4714A-0190S

Request Samples



Check Inventory



47 x 14 x 0.4 mm
RoHS Compliant
MSL Level = N/A

Electrical Specification

Parameter	Specification			Unit
Operating Frequency	2400 – 2500	5150 - 5850	5925 - 7125	MHz
VSWR	2.0			
Peak gain	2.7	3.1	3.2	dBi
Efficiency	69	51	57	%
Impedance	50			Ω
Polarization	Linear			
Radiation Pattern	Omni-directional			

Mechanical Specification

Parameter	Specification
Antenna Dimensions	47 x 14 x 0.4 mm
Antenna Type	Flexible Printed Circuit
Mounting Type	Adhesive
RF Connector	I-PEX 1 (F)
RF Cable Type	\varnothing 1.13 mm
Cable Length	190 \pm 3 mm

Environmental Specification

Parameter	Specification
Operating Temperature	-40°C to +85°C
Storage Temperature	-40°C to +85°C
ROHS Complaint	Yes
PB Free	Yes
ESD Sensitive	N/A
MSL Level	N/A



5101 Hidden Creek Ln Spicewood TX 78669
Phone: 512-371-6159 | Fax: 512-351-8858
For terms and conditions of sales, please visit:
www.abracon.com

REVISED: 09-29-22

ABRACON IS
ISO9001-2015
CERTIFIED

Tri band Wi-Fi6E Flexible Printed Antenna (2.4/5/6 GHz)

AFB4714A-0190S

Request Samples

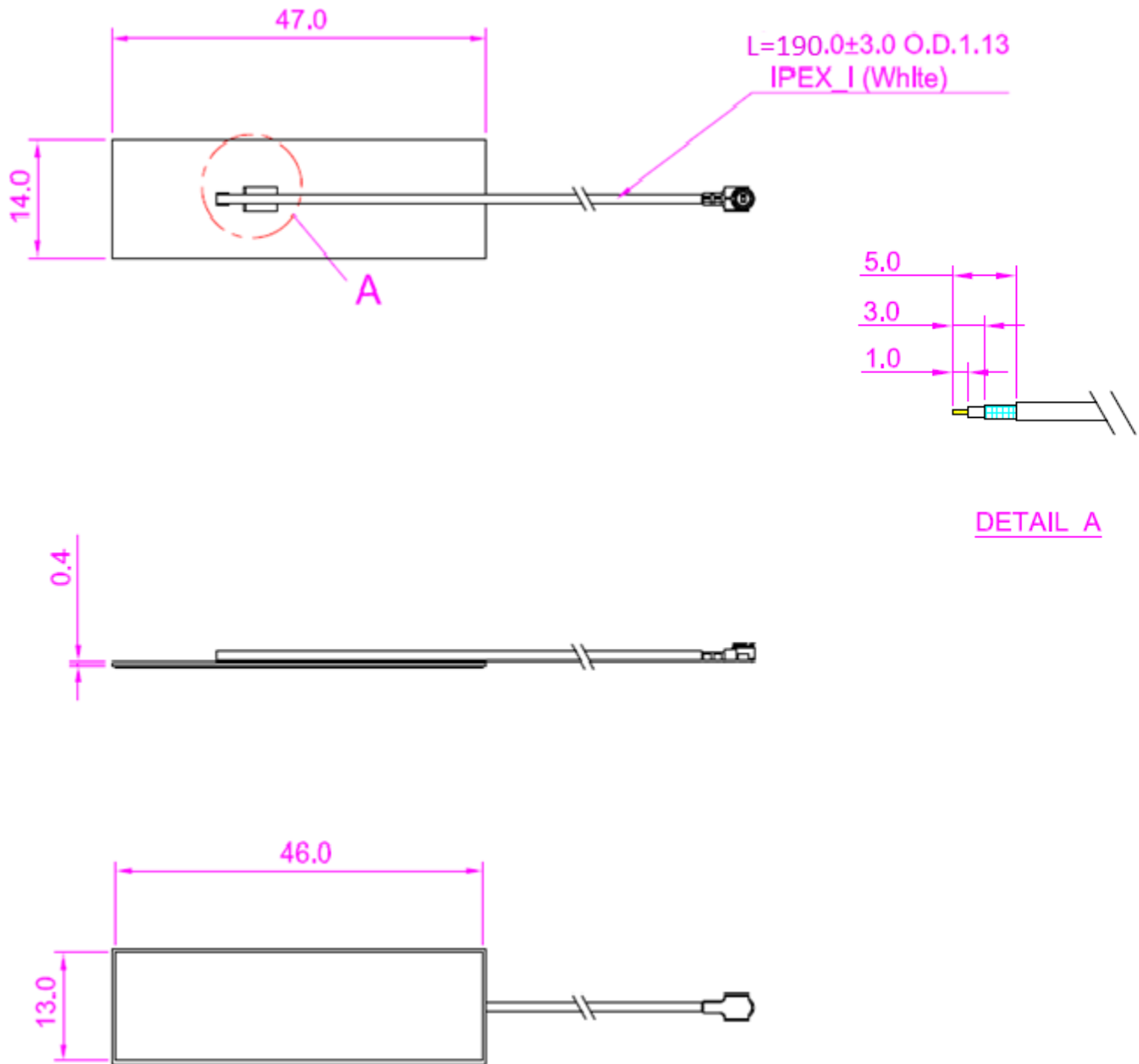


Check Inventory



47 x 14 x 0.4 mm
RoHS Compliant
MSL Level = N/A

Product Dimension



Unit : mm



5101 Hidden Creek Ln Spicewood TX 78669
Phone: 512-371-6159 | Fax: 512-351-8858
For terms and conditions of sales, please visit:
www.abracon.com

REVISED: 09-29-22

ABRACON IS
ISO9001-2015
CERTIFIED

Tri band Wi-Fi6E Flexible Printed Antenna (2.4/5/6 GHz)

AFB4714A-0190S

Request Samples

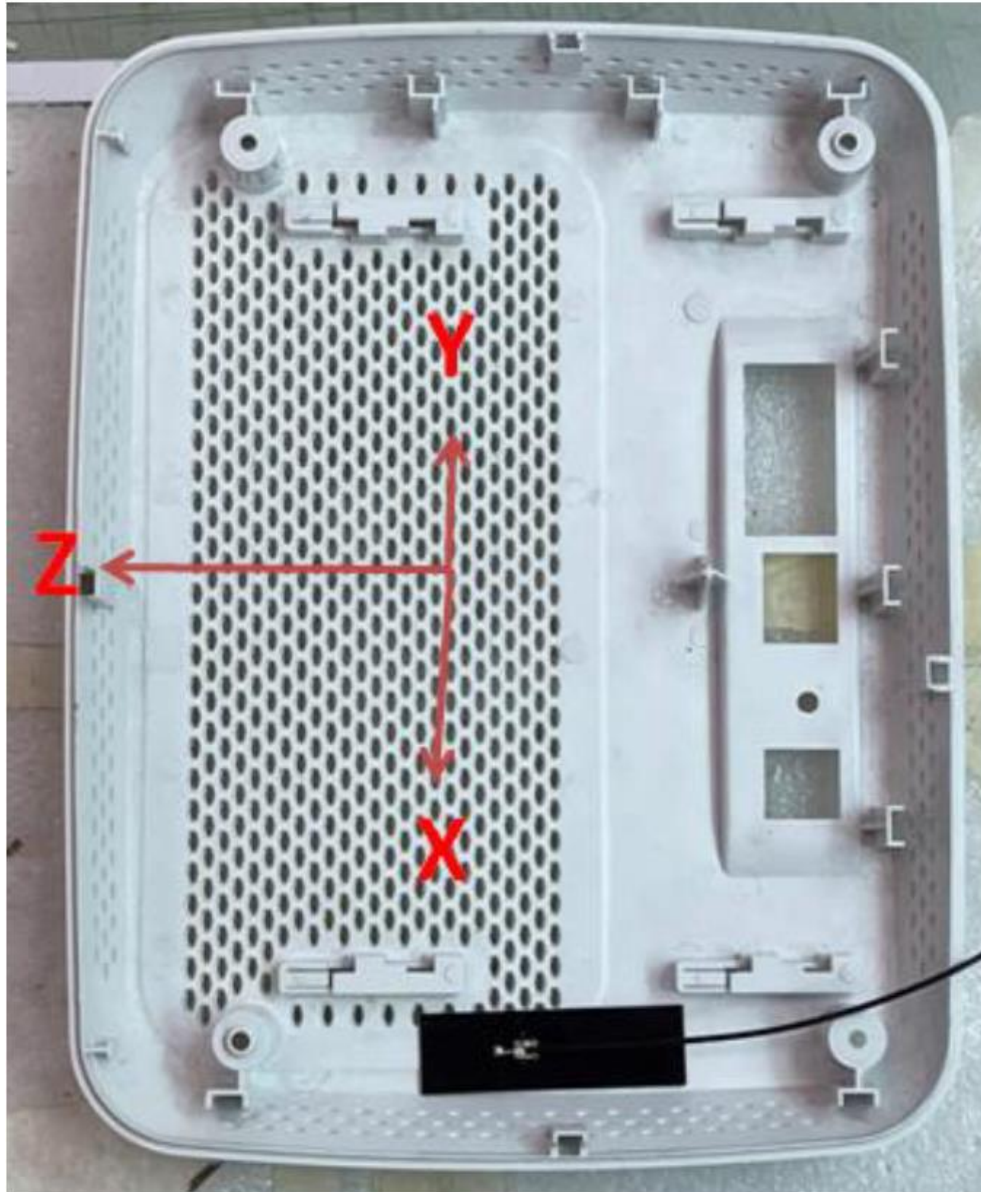


Check Inventory



47 x 14 x 0.4 mm
RoHS Compliant
MSL Level = N/A

Antenna Gain Test – Chamber Setup



Tri band Wi-Fi6E Flexible Printed Antenna (2.4/5/6 GHz)

AFB4714A-0190S

Request Samples



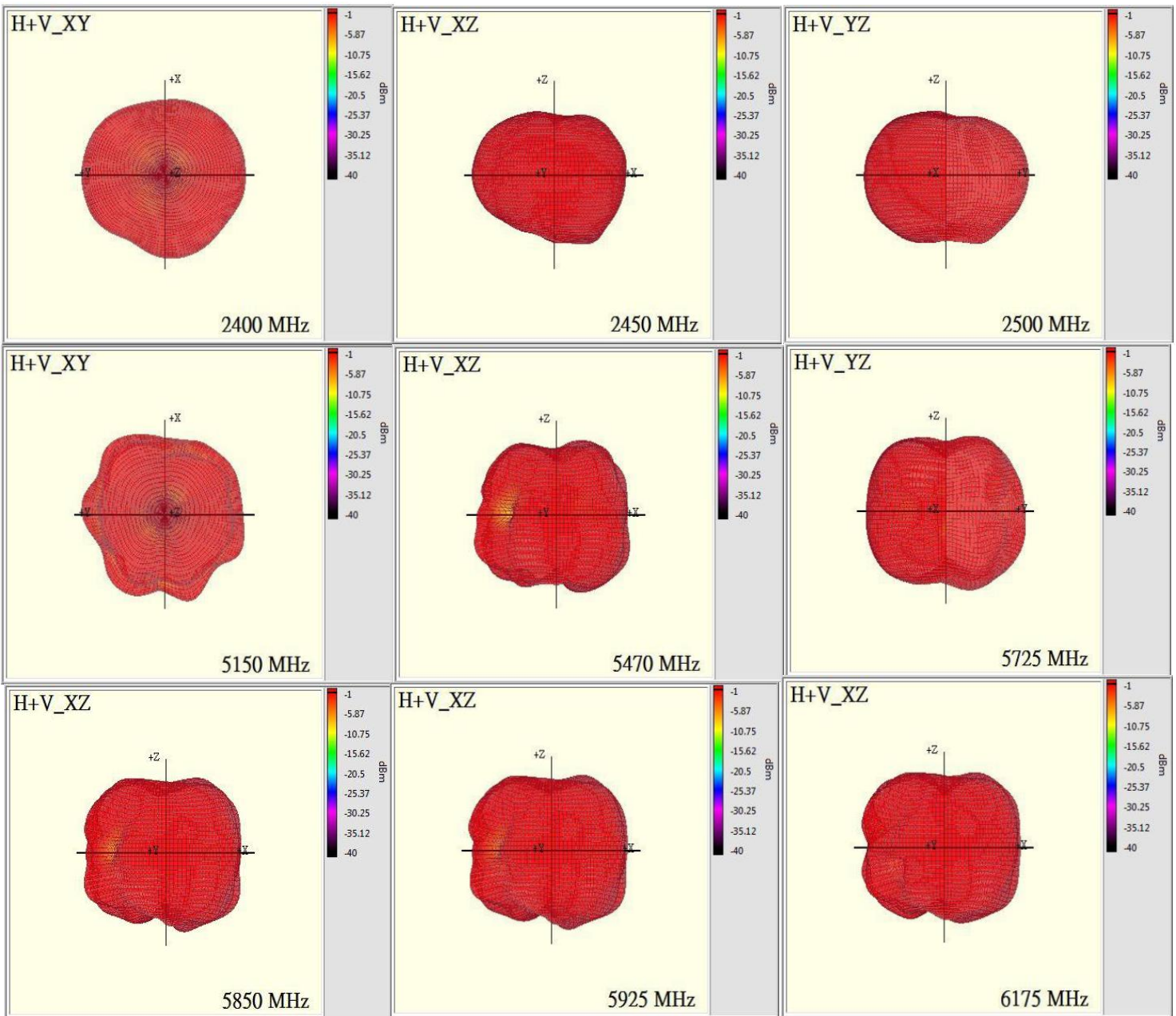
Check Inventory



47 x 14 x 0.4 mm
RoHS Compliant
MSL Level = N/A

Radiation Characteristics

3D Pattern



Tri band Wi-Fi6E Flexible Printed Antenna (2.4/5/6 GHz)

AFB4714A-0190S

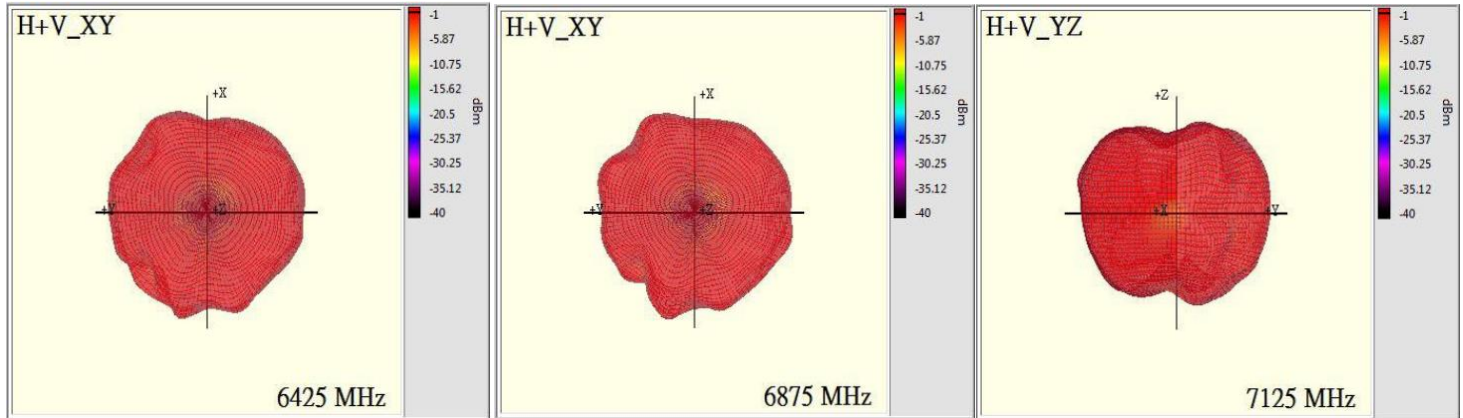
Request Samples



Check Inventory



47 x 14 x 0.4 mm
RoHS Compliant
 MSL Level = N/A



Gain and Efficiency

Frequency (MHz)	Efficiency (dB)	Efficiency (%)	Gain (dBi)
2400	-1.66	68.18	2.28
2450	-1.45	71.50	2.49
2500	-1.28	74.35	2.76
5150	-2.97	50.45	3.16
5250	-2.71	53.56	3.07
5350	-3.06	49.43	2.45
5470	-3.27	47.05	2.11
5600	-3.51	44.52	1.78
5725	-2.96	50.58	2.30
5785	-3.02	49.88	2.10
5800	-3.09	49.08	2.01
5850	-3.07	49.28	1.95
5925	-3.20	47.92	1.83
6175	-1.71	67.36	3.25
6425	-2.09	61.80	2.52
6525	-2.25	59.51	2.70
6700	-2.13	61.20	2.85
6875	-2.50	56.17	2.57
7000	-2.77	52.77	2.62
7125	-2.70	53.80	3.13



5101 Hidden Creek Ln Spicewood TX 78669
 Phone: 512-371-6159 | Fax: 512-351-8858
 For terms and conditions of sales, please visit:
www.abracon.com

REVISED: 09-29-22

ABRACON IS
 ISO9001-2015
 CERTIFIED

Tri band Wi-Fi6E Flexible Printed Antenna (2.4/5/6 GHz)

AFB4714A-0190S

Request Samples



Check Inventory



47 x 14 x 0.4 mm
RoHS Compliant
MSL Level = N/A

Packaging Information

Each Package: 20 bags

Number of Antenna/ bags: 100 pcs

Total Pcs / package: 2000 pcs

ATTENTION: Abracon LLC's products are COTS – Commercial-Off-The-Shelf products; suitable for Commercial, Industrial and, where designated, Automotive Applications. Abracon's products are not specifically designed for Military, Aviation, Aerospace, Life-dependent Medical applications or any application requiring high reliability where component failure could result in loss of life and/or property. For applications requiring high reliability and/or presenting an extreme operating environment, written consent and authorization from Abracon LLC is required. Please contact Abracon LLC for more information.



5101 Hidden Creek Ln Spicewood TX 78669
Phone: 512-371-6159 | Fax: 512-351-8858
For terms and conditions of sales, please visit:
www.abracon.com

REVISED: 09-29-22

ABRACON IS
ISO9001-2015
CERTIFIED