

Features

HIGH CURRENT CARRY AND HIGH VOLTAGE

Inert gas filled arc chamber suitable for high voltage switching

COMPACT STRUCTURE, LOW NOISE

Small, low-profile designs with low noise while carrying or switching loads

COIL ECONOMIZER

Economized coils for low power consumption

SAFE FOR EXPLOSIVE ENVIRONMENTS

No arc leakage due to a hermetically sealed design

HIGH RELIABILITY DESIGN

Hermetic sealing creates a stable environment for high voltage switching

NO SPECIFIC MOUNTING ARRANGEMENT

Mountable in any orientation without reduction of performance

VARIOUS APPLICATIONS

Battery Disconnect, EV Charging, Energy Storage Systems, Photo Voltaic, Power Control, Circuit Protection and much more

Sealing Type: Epoxy Resin

- Internal coil economizer option
- Bi-directional options
- High voltage switching options



Certification Information

1. Meet RoHS (2011/65/EU)
2. CE Certified
3. UL Approved

Nomenclature

AEV250

M

A

H

Series code:

"AEV250" = AEV250

Coil Voltage Code:

"M" = 12 - 24 VDC

"F" = 72 VDC

"G" = 48 - 72 VDC

Options:

Blank = Std. Options (Bottom Mount, Without Aux. Contact & Polarized Load Terminals)

"A" = With Aux. Contact (SPST-NO)

"B" = With Aux. Contact (SPST-NC)

"N" = Non-Polar Load Terminals

"P" = Potted PCB

"E" = Without Coil Economizer (External Coil Economizer Required, not UL approved)

"H" = 1000 Volts Switching Voltage

*Note: AEV250-M-H can only be applied in the AEV250-MA-H



Performance Data for 900V Switching Option

MAIN CONTACT

Contact Arrangement	1 Form X (SPST-NO)	
Rated Operating Current	900VDC	
Continuous (Carry) Current	500 (85°C Ambient)	
Max short circuit current	2,000A @320VDC, 1 cycle*1	
Dielectric Withstanding Voltage (initial)	Between Open Contacts	4000VAC (leakage <1mA)
	Between Contacts to Coil	2200Vrms (leakage <1mA)
Insulation Resistance (Initial)	Terminal to Terminal	New: Min 100 MΩ @500VDC End of life: Min 50 MΩ@500VDC
	Terminals to Coil	
Voltage Drop (@500A)	≤50mV	

OPERATE / RELEASE TIME

Close (includes bounce)	25ms, Max.
Release (@2000A includes arc)	12ms, Max

ENVIRONMENTAL DATA

Shock	Functional	196m/s ² Sine half-wave pulse
	Destructive	490m/s ² Sine half-wave pulse
Vibration, Sine, Peak, 20G		80 to 2,000Hz
Operating Temperature		-40 to +85°C
Altitude		<4000m
Weight		0.95 Lb (0.43 kg)

MAKE/BREAK LIFE CAPACITIVE & RESISTIVE LOADS AT 320VDC*1

@90% pre-charge (make only)	50,000 cycles
@Min 80% pre-charge (make only)	50 cycles

AUX CONTACT

Aux. Contact Arrangement	1 Form A, 1 Form B
Aux. Contact Current Max	2A@30VDC / 3A@125VAC
Aux. Contact Current Min	100mA@8V
Aux. Contact Resistance Max	0.417ohms@30VDC/ 0.150ohms@125VAC

COIL DATA

Coil Voltage	12-24VDC	72VDC	48-72VDC
Voltage (Max.)	36VDC	95VDC	95VDC
Max. Pick-up Voltage	9VDC	48VDC	32VDC
Min. Drop-out Voltage	6VDC	27VDC	18VDC
Max. Inrush Current	3.8A	0.7A	1.3A
Avg. Holding Current	0.13A@12VDC / 0.07A@24VDC	0.02A@ 72VDC	0.03A@ 48VDC



Performance Data for AEV250-XXX-H /1000V Switching Option

MAIN CONTACT		
Contact Arrangement	1 Form X (SPST-NO)	
Max. Switching Voltage	1000 VDC	
Rated current	500A	
Max. Short Circuit Current	3000A @450VDC (1s)	
Dielectric Withstanding Voltage (initial)	Between Open Contacts	4000VDC 1mA 1min
	Between Contacts to Coil	2200VAC 1mA 1min
Insulation Resistance (Initial)	Terminal to Terminal	Min 1000 M Ω @1000VDC
	Terminals to Coil	
Contact Resistance	Max 10m Ω (1A 6V)	
Limit breaking	2000A@450VDC, 1 Cycle	

OPERATE / RELEASE TIME	
Close (includes bounce)	25ms, Max.@20 °C
Release Time	12ms, Max.@ 20 °C

ENVIRONMENTAL DATA		
Shock	Functional	196m/s ² Sine half-wave pulse
	Destructive	490m/s ² Sine half-wave pulse
Vibration, Sine, Peak, 20G		80 to 2,000Hz
Operating Temperature		-40 to +85 °C
Altitude		<4000m
Weight		0.43kg
Humidity		5%~58%RH

EXPECTED LIFE	
Electrical Endurance	See below Make and Break Graph
Mechanical Life	200,000 Cycle

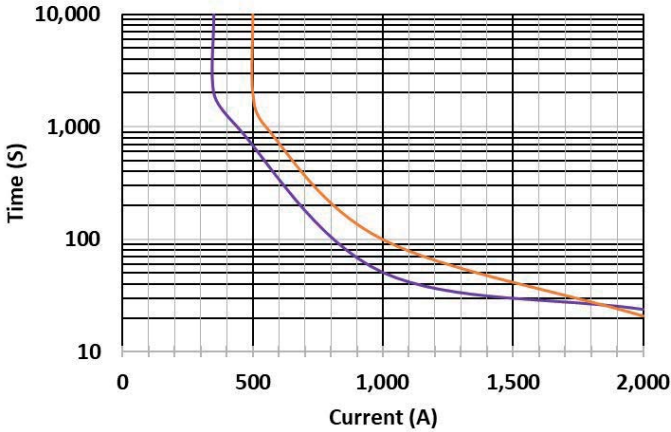
AUX CONTACT	
Aux. Contact Arrangement	1 Form A
Aux. Contact Current Max	2A@30VDC/3A@125VAC
Aux. Contact Current Min	100mA@8V
Aux. Contact Resistance Max.	0.417ohms@30VDC/ 0.150ohms@125VAC

COIL DATA	
Nominal Voltage	12/24 VDC
Max. Pick-up Voltage 20°C	9VDC
Min. Drop-out Voltage 20°C	6VDC
Max. Inrush Current 20°C	3.8A
Average Holding Current 20°C	0.15@12VDC

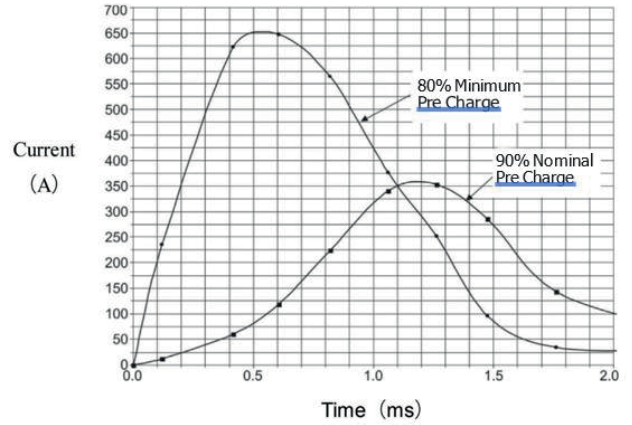
Performance Data

Current Carry vs Time (85°C Ambient)

500A Max (400 MCM) / 350A Max (2/0)

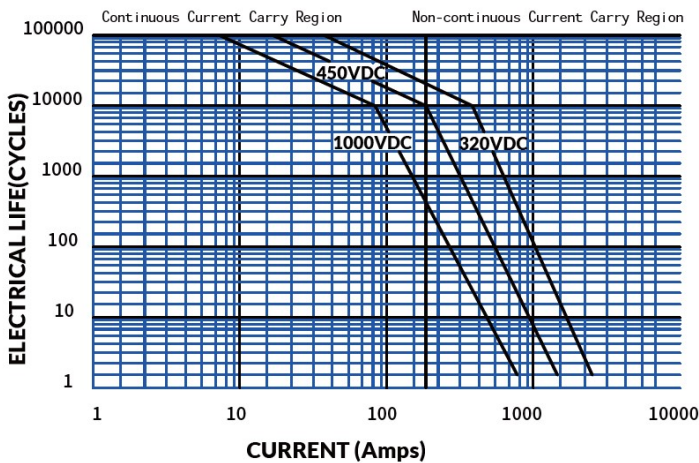


Capacitive Make Test Curves for Pre-Charged Motor Controller



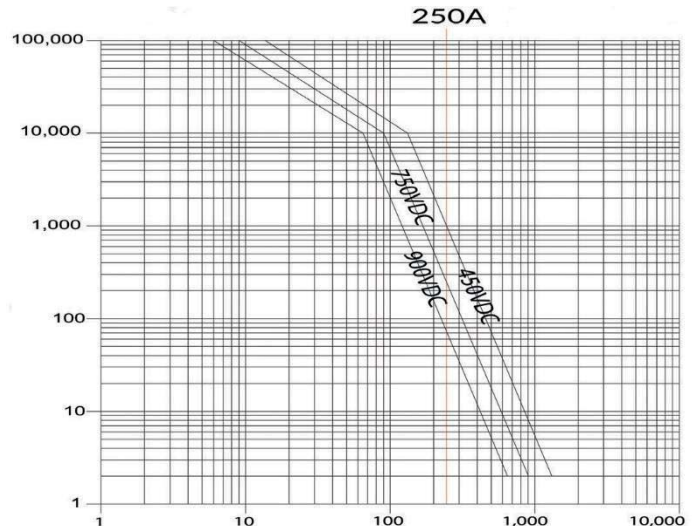
Estimated Make & Break Resistive Load Ratings for Polarized Type

1000V Option



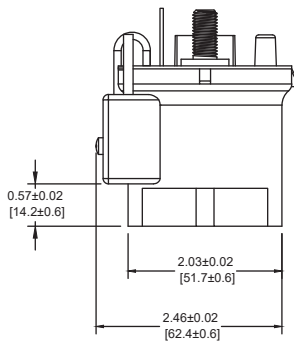
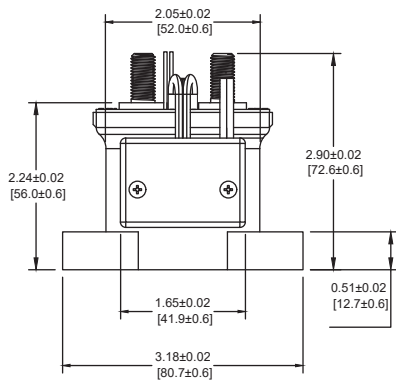
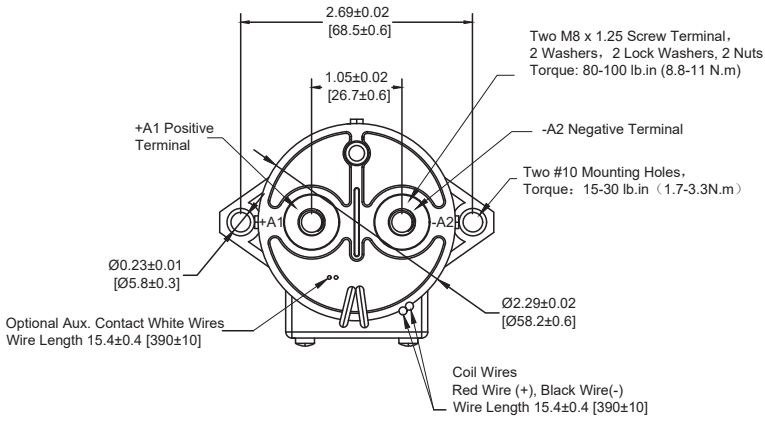
* Note:
 This graph was generated using test results from a specific lab condition. It should be used as reference and the customer is encouraged to verify the endurance of the device meets their application requirements

900V Option

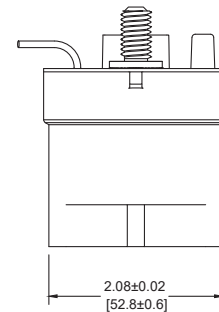
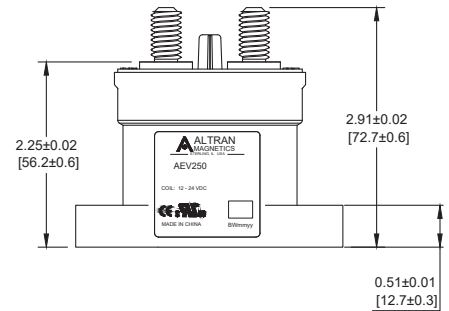
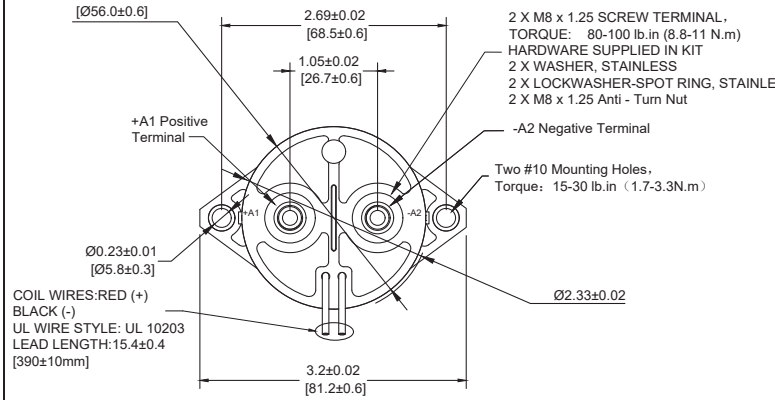


* Note:
 Estimates based on extrapolated data. User is encouraged to confirm performance in application.

Outline Dimensions (mm):



Potted PCB/Without Coil Economizer



***Note: The wire gage is 22 AWG.**

Application Notes

1. To prevent loosening, a split washer should be used whenever the contactor is installed. All terminals or copper conductor must be in direct contact with the contactor's main terminals. Please control the nut tightening torque of each part within the specified range in the requirements below. If the torque exceeds the recommended range, it may cause damage to the sealed cavity and thread damage.
 - a. Contact torque (M8): 80 - 100 lb.in (8.8 - 11 N.m)
 - b. Mounting torque: 15 - 30 lb.in (1.7 - 3.3 N.m) Max.
2. Products with a coil economizer are already equipped with back EMF circuits, so there is no need to use surge protectors.
3. Avoid installing the contactor in a strong magnetic field environment (near transformers or magnets) and avoid placing the contactor near objects with heat radiation.
4. When continuous current is applied to the contacts of the relay, and the coil is turned on immediately after the power is cut off. At this time, as the temperature of the coil increases, the resistance of the coil will also increase, which will increase the pull-in voltage of the product, which may result in exceeding the rated pull-in voltage. In this case, the following measures should be taken to reduce the load current; limit the continuous power-on time or use a coil voltage higher than the rated pull-in voltage.
5. When voltage is applied to products with a coil economizer, the circuit will automatically switch to the holding voltage about 100ms later. Please do not repeat the on-off operation during this time period, or the coil economizer of the contactor may be damaged.
6. When the voltage applied to the coil exceeds the maximum allowable applied voltage, the coil temperature may rise and lead to coil damage and inter-layer short circuit.
7. The rated values in the contact parameters are values for a resistive load. When using an inductive load with $L/R > 1\text{ms}$, please connect a surge current protection device to the inductive load in parallel. If no measures are taken, the electrical life may be reduced, and the continuity may be poor. Please consider sufficient margin space in the design.
8. Supply power must be greater than coil power or it will reduce performance capability.
9. Please do not allow debris and oil to adhere to the main terminals; Make sure that the main terminals are in reliable contact with the load conductor, otherwise the temperature rise of the terminal / conductor connection may be too high due to the excessive contact resistance.
10. The load conductor must have the corresponding current load capacity and heat dissipation capacity (it is recommended to use a copper bar with min 50mm²), to prevent overheating and affecting the life of the contactor.
11. Do not use if dropped.
12. Is impossible to determine all the performance parameters of contactors in each specific application, therefore, customers should choose the products matching them according to their own conditions of use. If in doubt, contact Altran, however, the customer will be responsible for validating that the products meet their application.
13. Altran reserves the right to make changes as needed. Customers should reconfirm the contents of the specification or ask for us to supply a new specification if necessary.