

3-Terminal EMI Filter

AEMIF-0805



RoHS/RoHS II Compliant



2.0 x 1.2 x 0.96mm

FEATURES:

- Multilayer and low profile structure enables high density mounting
- Closed magnetic circuit minimizes crosstalk
- Sharp attenuation characteristic beyond cutoff frequency achieves excellent EMI suppression
- Wide range of cutoff frequencies from 100MHz to 500MHz available

APPLICATIONS:

- Noise removal from signal lines in digital cameras, computers, game consoles, LED TVs, etc.
- Suppression of noise generated by high speed digital circuits such as clock lines

STANDARD SPECIFICATIONS:

Operating Temperature
-40°C to +85°C

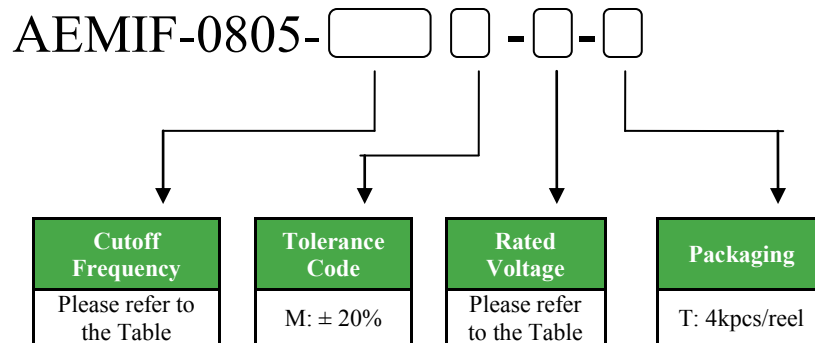
Storage Temperature
-10°C to +40°C, 70% RH max. in tape and reel

Part Number	-3dB Cut-off Frequency	Cut-off Frequency Tolerance	Rated Voltage	Rated Current	Min. Insulation Resistance	Max. DC Resistance	Attenuation
Units	MHz	%	V	mA	MΩ	Ω	dB
AEMIF-0805-101M-16	100	M	16	200	200	1.5	20.0 dB min. at 250-2000 MHz
AEMIF-0805-151M-16	150	M	16	200	200	1.0	20.0 dB min. at 350-2000 MHz
AEMIF-0805-201M-16	200	M	16	250	200	1.0	20.0 dB min. at 450-2000 MHz
AEMIF-0805-301M-16	300	M	16	300	200	1.0	20.0 dB min. at 550-2000 MHz
AEMIF-0805-401M-16	400	M	16	300	200	0.8	20.0 dB min. at 800-2000 MHz
AEMIF-0805-501M-16	500	M	16	300	200	0.8	20.0 dB min. at 1000-2000 MHz

Test Equipment

Items	Test Equipment
Cut off Frequency	HP8753E or equivalent
DC Resistance	HP4338 or equivalent
Insulation Resistance	TH2682 or equivalent
Attenuation	HP8753E or equivalent

PART NUMBER IDENTIFICATION



3-Terminal EMI Filter

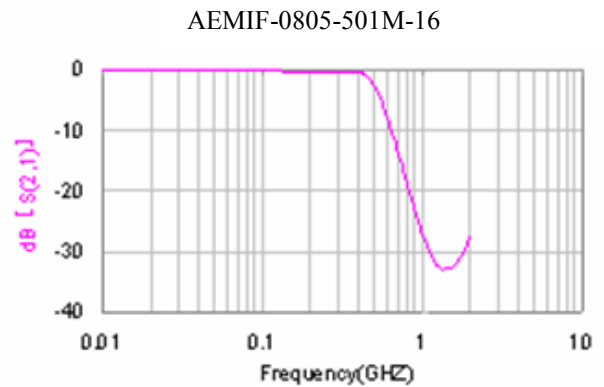
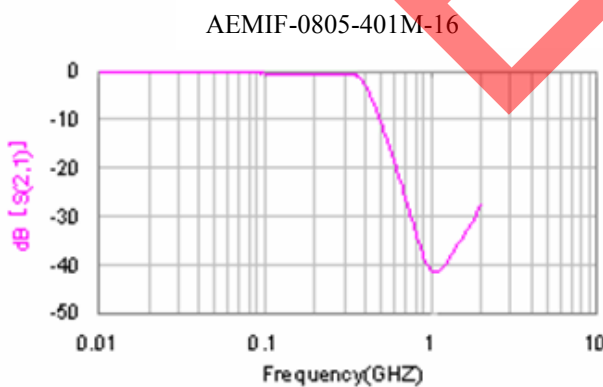
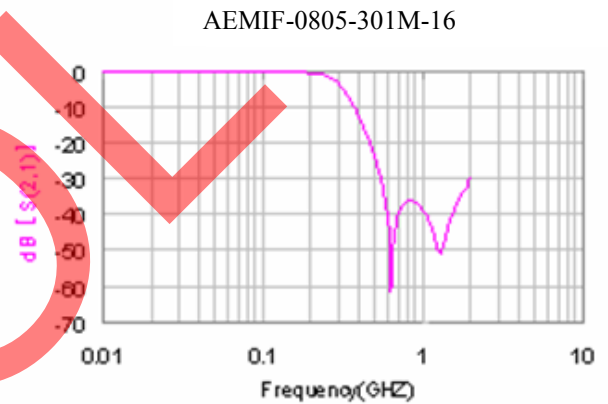
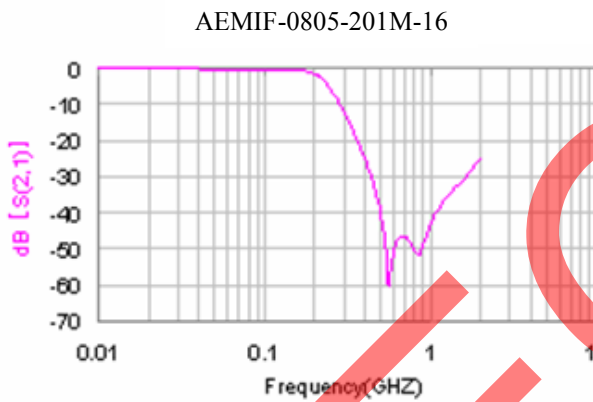
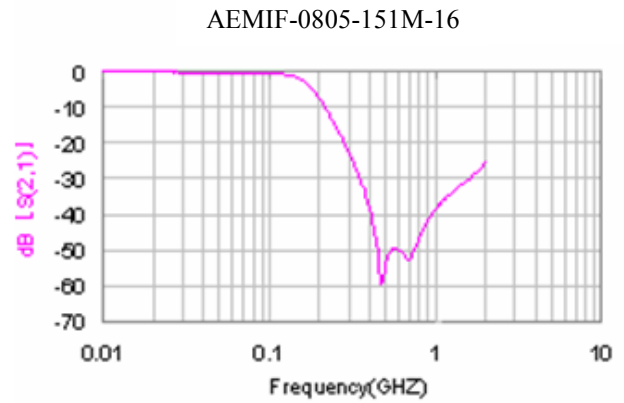
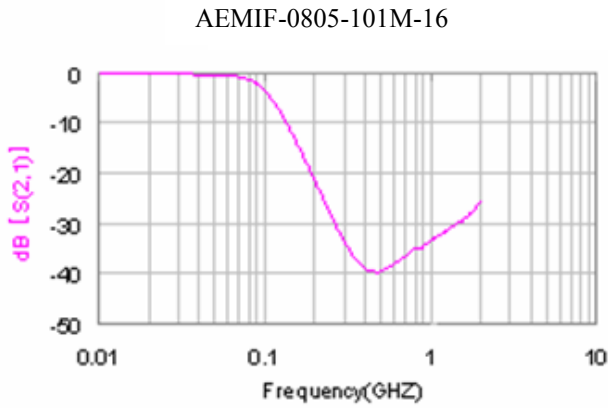
AEMIF-0805

 RoHS/RoHS II Compliant



2.0 x 1.2 x 0.96mm

FREQUENCY CHARACTERISTIC



3-Terminal EMI Filter

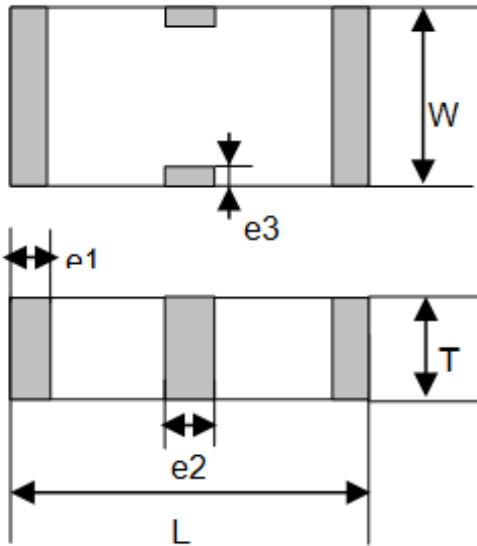
AEMIF-0805

 RoHS/RoHS II Compliant



2.0 x 1.2 x 0.96mm

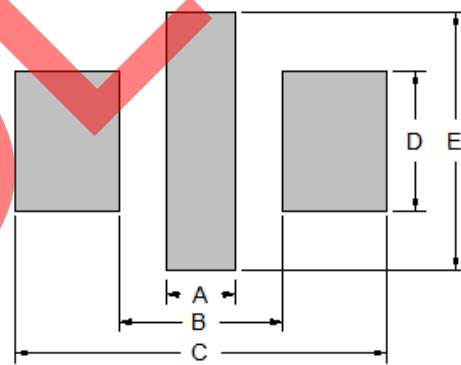
OUTLINE DIMENSION:



L	W	T	e1	e2	e3
2.0±0.2	1.2±0.2	0.96±0.2	0.3±0.15	0.5±0.15	0.3±0.15

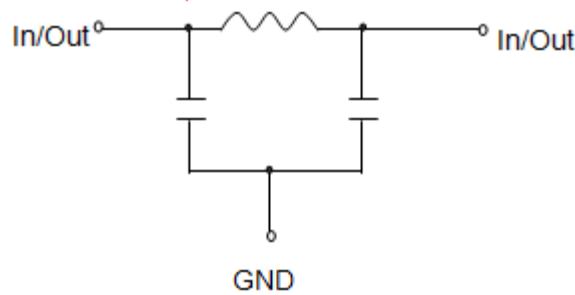
A	B	C	D	E
0.6	1.4	3.2	1.2	2.2

Recommended Land Pattern



Dimension: mm

EQUIVALENT CIRCUIT:



No polarity

3-Terminal EMI Filter

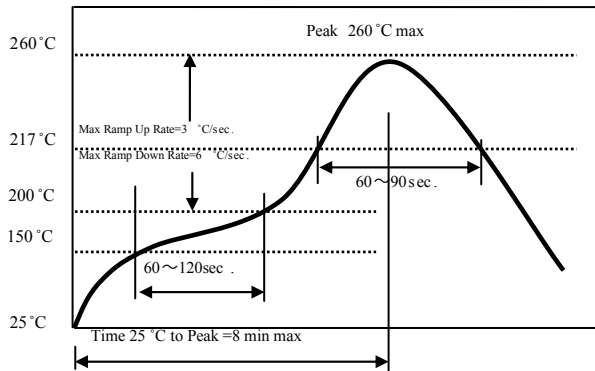
AEMIF-0805

RoHS/RoHS II Compliant



2.0 x 1.2 x 0.96mm

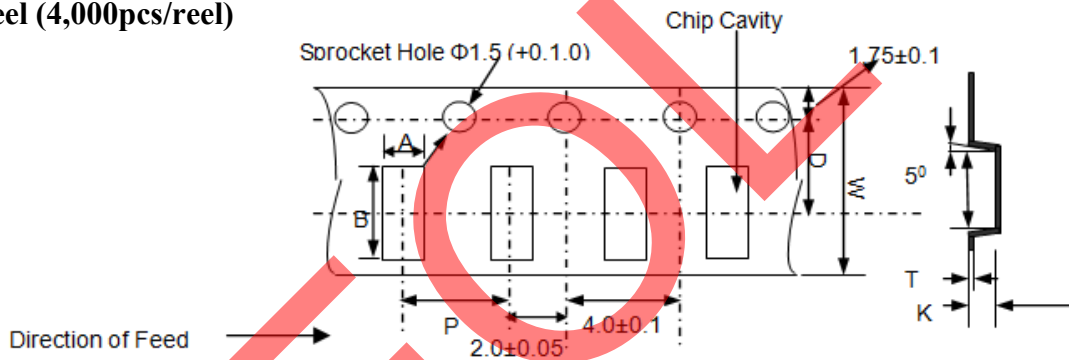
REFLOW PROFILE:



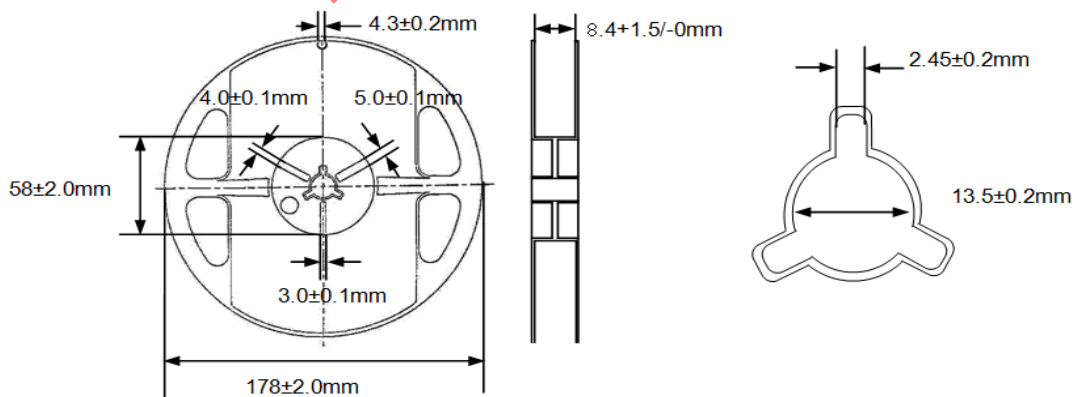
- Preheat condition: 150 ~200°C/60~120sec.
- Allowed time above 217 °C: 60~90sec.
- Max temp: 260 °C
- Max time at max temp: 10sec.
- Solder paste: Sn/3.0Ag/0.5Cu
- Allowed Reflow time: 2x max

TAPE & REEL

T= tape and reel (4,000pcs/reel)



A	B	P	W	K max	T max
1.42	2.25	4.0	8.0	1.14	0.27



Dimension: mm

ATTENTION: Abracon Corporation's products are COTS – Commercial-Off-The-Shelf products; suitable for Commercial, Industrial and, where designated, Automotive Applications. Abracon's products are not specifically designed for Military, Aviation, Aerospace, Life-dependant Medical applications or any application requiring high reliability where component failure could result in loss of life and/or property. For applications requiring high reliability and/or presenting an extreme operating environment, written consent and authorization from Abracon Corporation is required. Please contact Abracon Corporation for more information.

ABRACON IS
ISO 9001:2008
CERTIFIED



Visit www.abracon.com for Terms & Conditions of Sale **Revised: 07.28.14**
30332 Esperanza, Rancho Santa Margarita, California 92688
tel 949-546-8000 | fax 949-546-800 | www.abracon.com