

5G Sub-6GHz External Whip Antenna



AEBC1101X

Request Samples



Check Inventory



115 x Ø19 mm

RoHS/RoHS II Compliant

MSL = 3

Features

- 600 MHz ~ 6GHz
- Supports 5G NR, CBRS, Private LTE Bands
- Peak Gain of 3 dBi
- Optimal Efficiency
- Easy installation with built-in connector
- Customizable connector options

Applications

- IoT
- M2M
- Smart Grid
- Vending Machines
- Gateways & Routers
- Security / Remote Monitoring

Product Image



5G Sub-6GHz External Whip Antenna



AEBC1101X

Request Samples



Check Inventory



115 x Ø19 mm

RoHS/RoHS II Compliant

MSL = 3

Part Number Builder

AEBC1101X□ - □

Color / IP Rating / UV Coating			
Code	Color	IP Rating (excluding cable outlet)	UV Protective Coating
S (Standard)	Black	No	No

Connector Type	
Code	Connector Type
S (Standard)	SMA (M)
A	RP-SMA

Example Configurations:

Part Number	Color / IP Rating / UV Coating	Connector Type
AEBC1101XS-S	Black / No / No	SMA (M) (Standard)
AEBC1101XS-A	Black / No / No	RP-SMA

Note:

- For the standard part number (AEBC1101XS-S), please refer to the packaging at the end of the document.
- For custom configurations (AEBC1101X□-□), MOQs, pricing and packaging changes may apply.

5G Sub-6GHz External Whip Antenna



AEBC1101X

Request Samples



Check Inventory



115 x Ø19 mm

RoHS/RoHS II Compliant

MSL = 3

Electrical Specification

Parameter	Specification			Unit
	Min	Typ	Max	
Operating Frequency	600		6000	MHz
VSWR			3.0	
Peak gain			3.0	dBi
Efficiency	(600-960 MHz)	30	50	%
	(1400-6000 MHz)	45	60	
Impedance		50		Ω
Polarization	Linear			
Radiation Pattern (Azimuth)	Omni-directional			

Mechanical Specification

Parameter	Specification
Dimensions	115 x Ø19 mm
Material	PC+PT / ABS
Color	Black
Antenna Type	Whip
RF Connector	SMA(M)
Connector Pull Force	>3.0 Kg

Environmental Specification

Parameter	Specification
Operating Temperature	-30°C to +65°C
Storage Temperature	-30°C to +85°C
ROHS Complaint	Yes RoHS 2011/65/EU with IEC 62321:2008 Method
MSL Level	3

5G Sub-6GHz External Whip Antenna



AEBC1101X

Request Samples

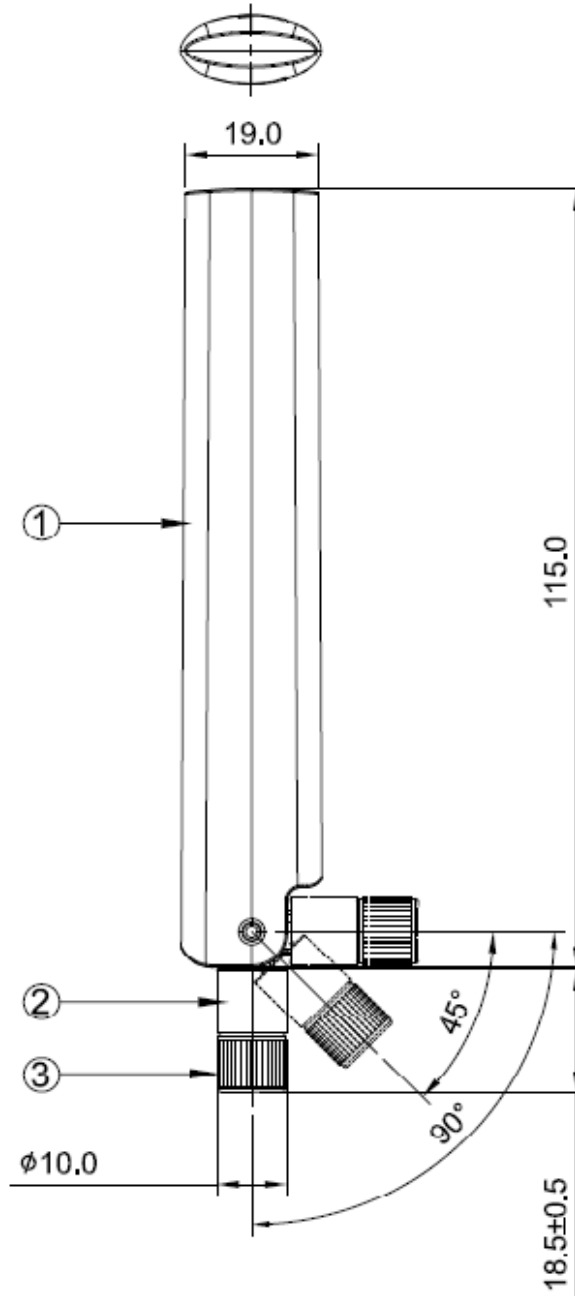


Check Inventory



115 x Ø19 mm
RoHS/RoHS II Compliant
MSL = 3

Product Dimension



Unit : mm

5G Sub-6GHz External Whip Antenna



AEBC1101X

Request Samples



Check Inventory

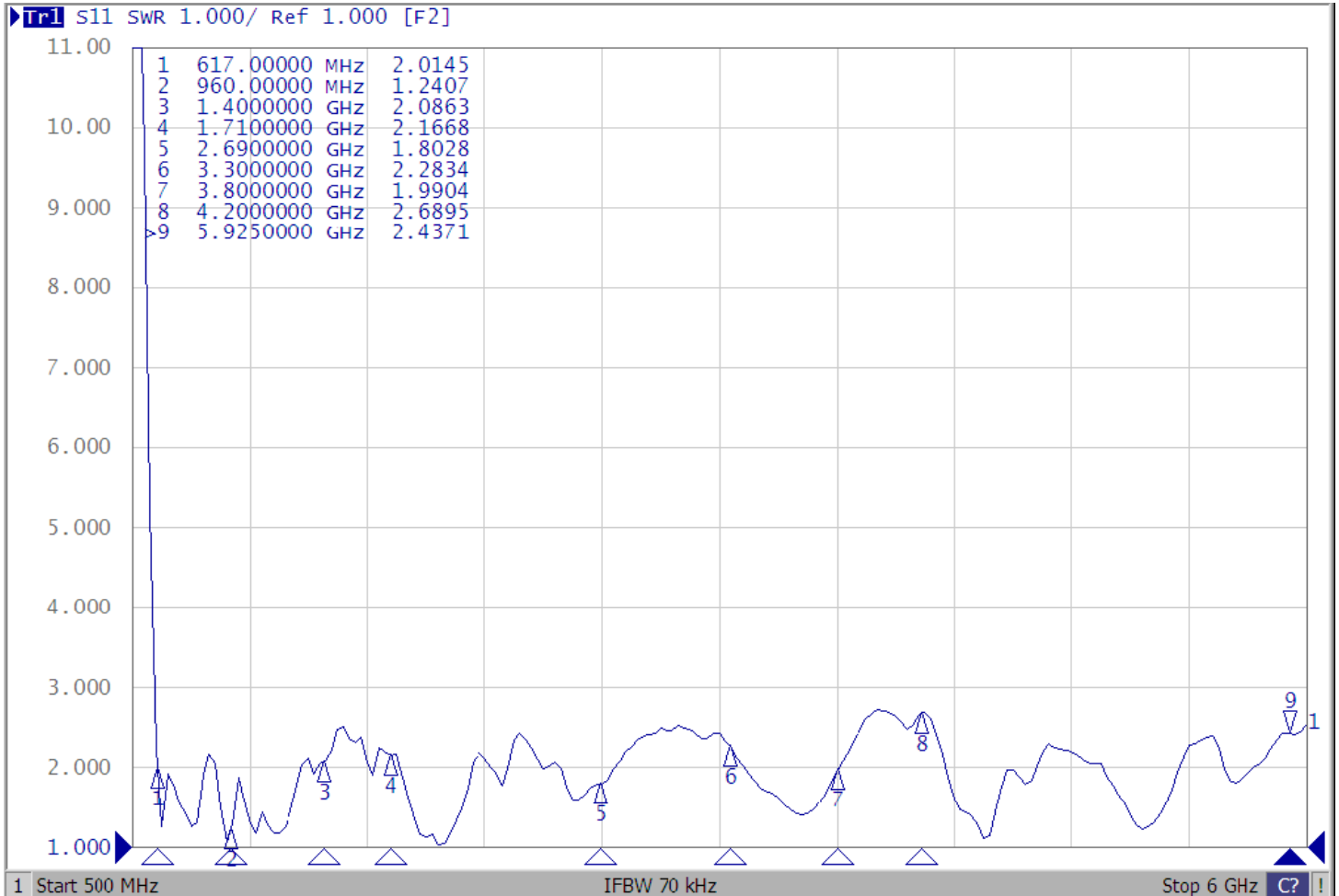


115 x Ø19 mm

RoHS/RoHS II Compliant

MSL = 3

VSWR Measurement



5G Sub-6GHz External Whip Antenna



AEBC1101X

Request Samples



Check Inventory

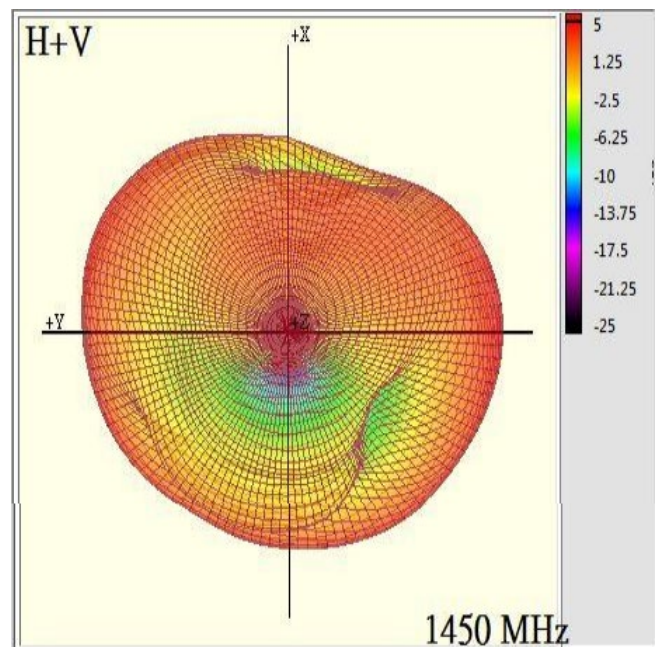
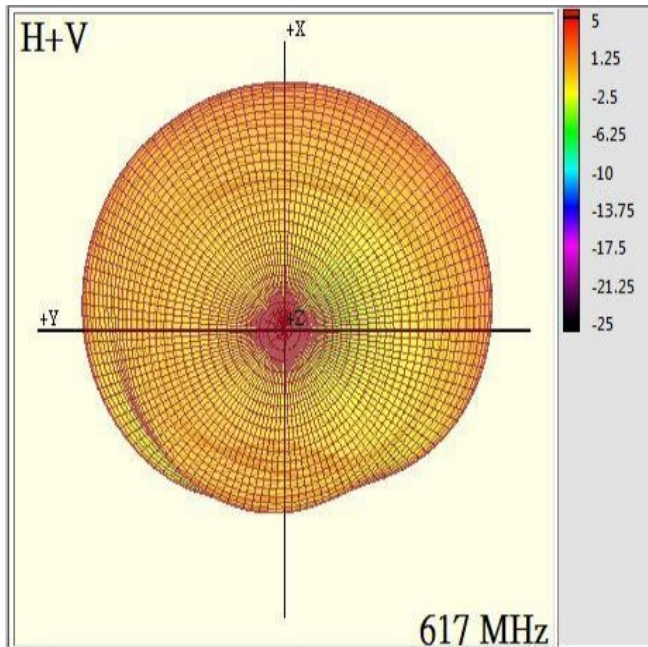
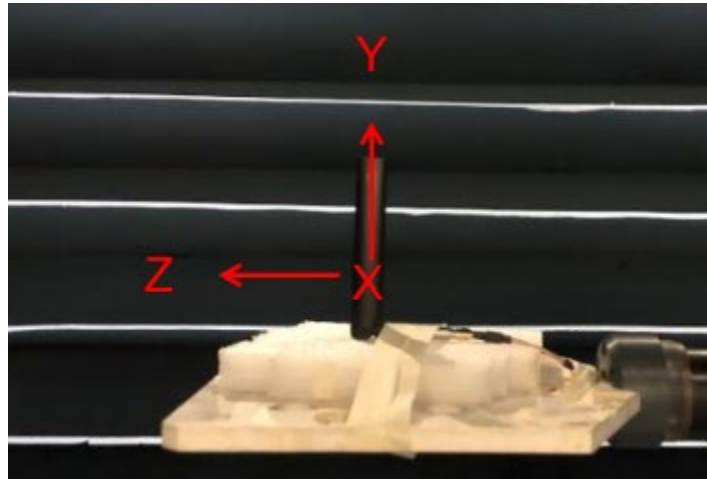


115 x Ø19 mm

RoHS/RoHS II Compliant

MSL = 3

3D Radiation Pattern



5G Sub-6GHz External Whip Antenna



AEBC1101X

Request Samples



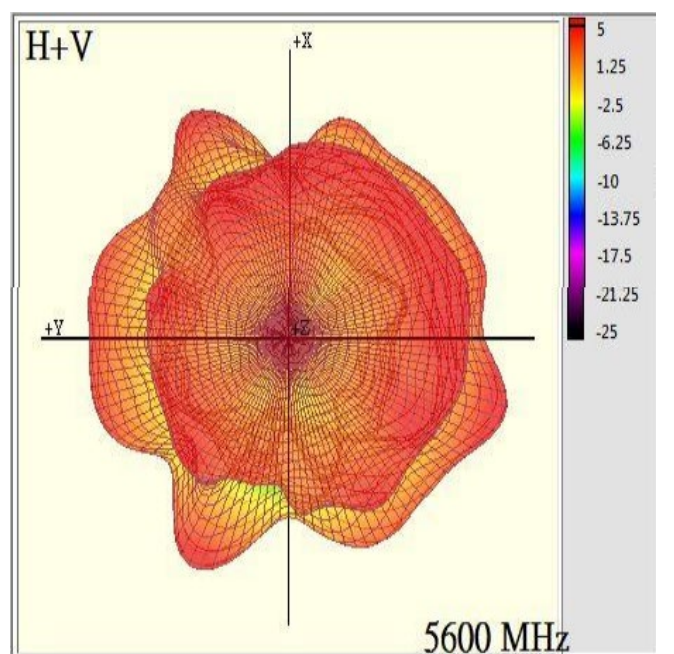
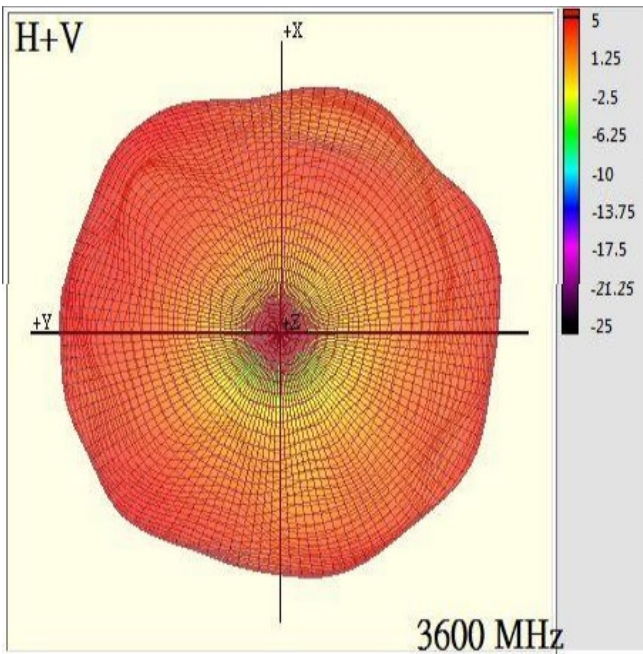
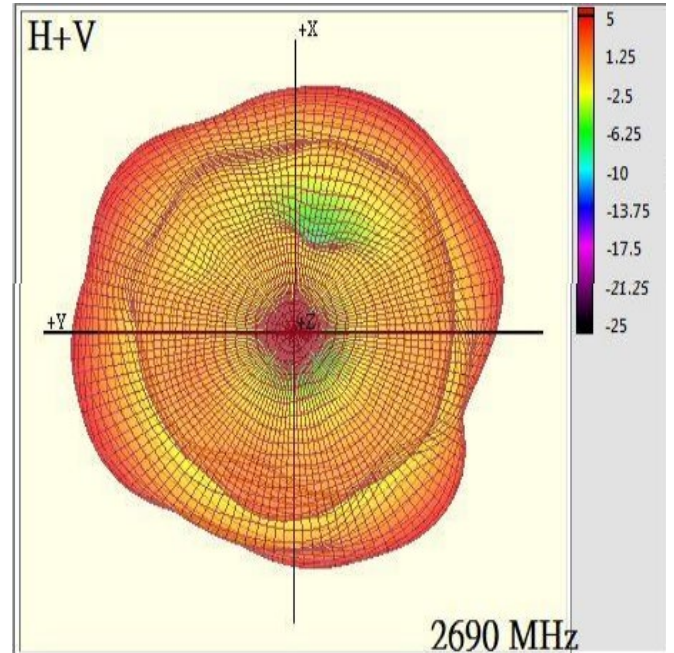
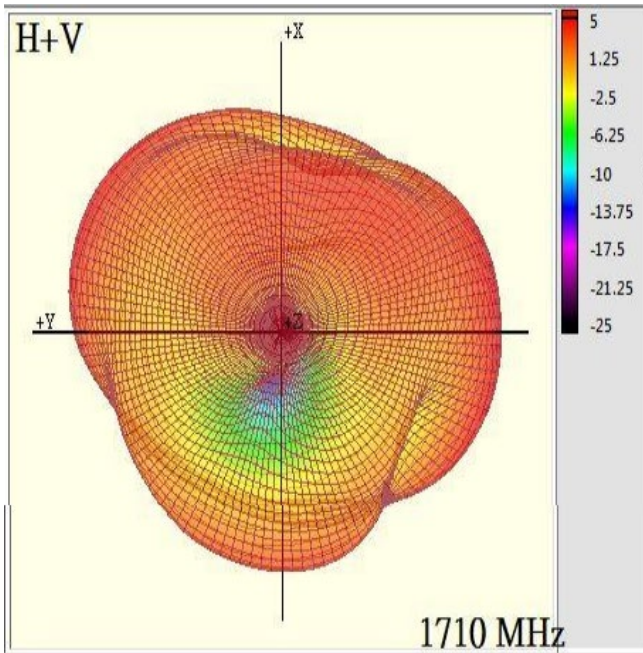
Check Inventory



115 x Ø19 mm

RoHS/RoHS II Compliant

MSL = 3



5G Sub-6GHz External Whip Antenna



AEBC1101X

Request Samples



Check Inventory



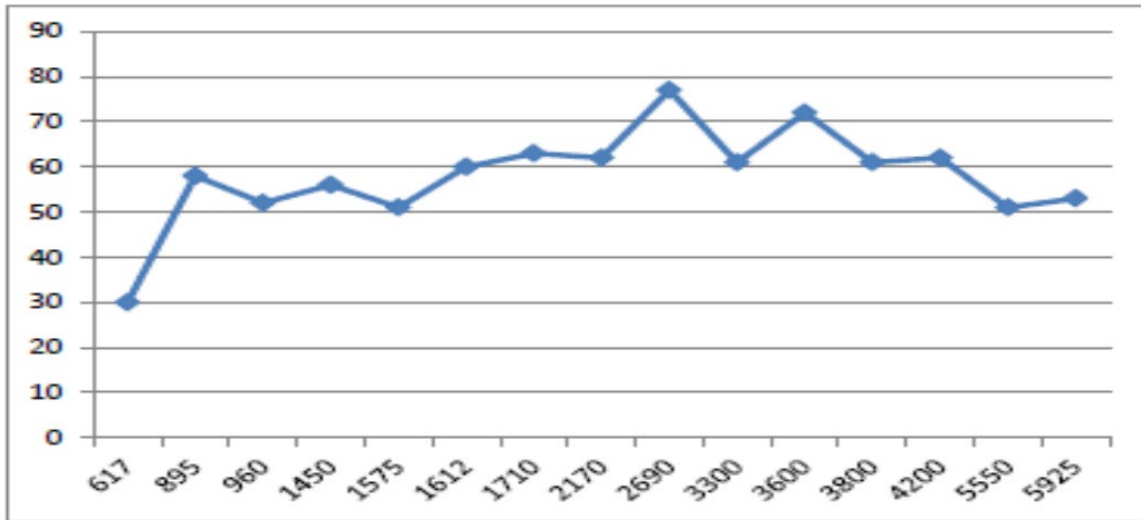
115 x Ø19 mm

RoHS/RoHS II Compliant

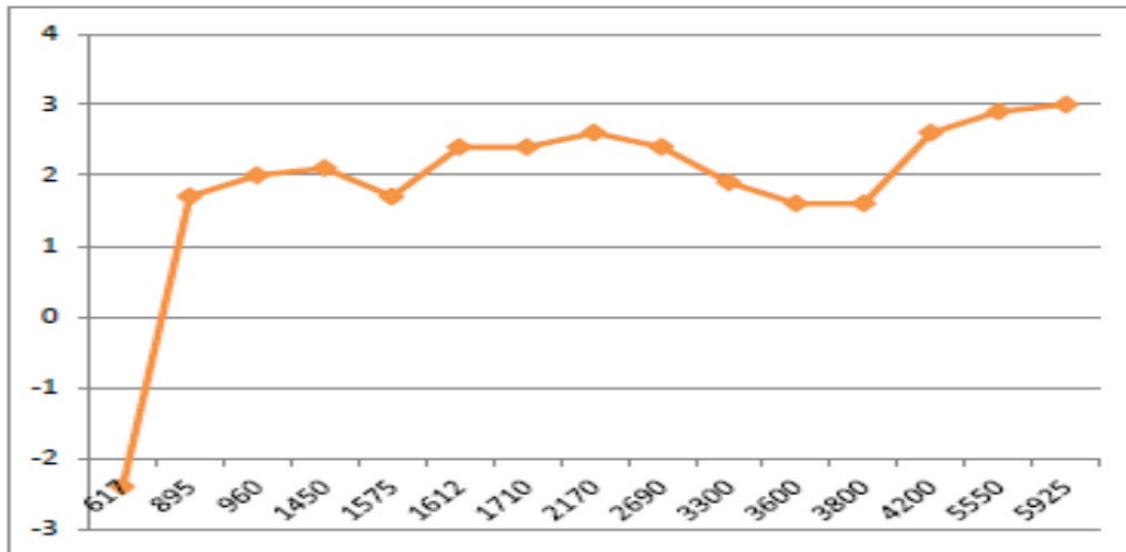
MSL = 3

Gain and Efficiency

Efficiency



Gain



Frequency (MHz)	617	895	960	1450	1575	1612	1710	2170	2690	3300	3600	3800	4200	5550	5925
Efficiency (%)	30	58	52	56	51	60	63	62	77	61	72	61	62	51	53
Peak Gain (dBi)	-2.4	1.7	2	2.1	1.7	2.4	2.4	2.6	2.4	1.9	1.6	1.6	2.6	2.9	3



5101 Hidden Creek Ln Spicewood TX 78669
 Phone: 512-371-6159 | Fax: 512-351-8858
 For terms and conditions of sales, please visit:
www.abracon.com

REVISED: 11-17-21

ABRACON IS
 ISO9001-2015
 CERTIFIED

5G Sub-6GHz External Whip Antenna



AEBC1101X

Request Samples



Check Inventory



115 x Ø19 mm

RoHS/RoHS II Compliant

MSL = 3

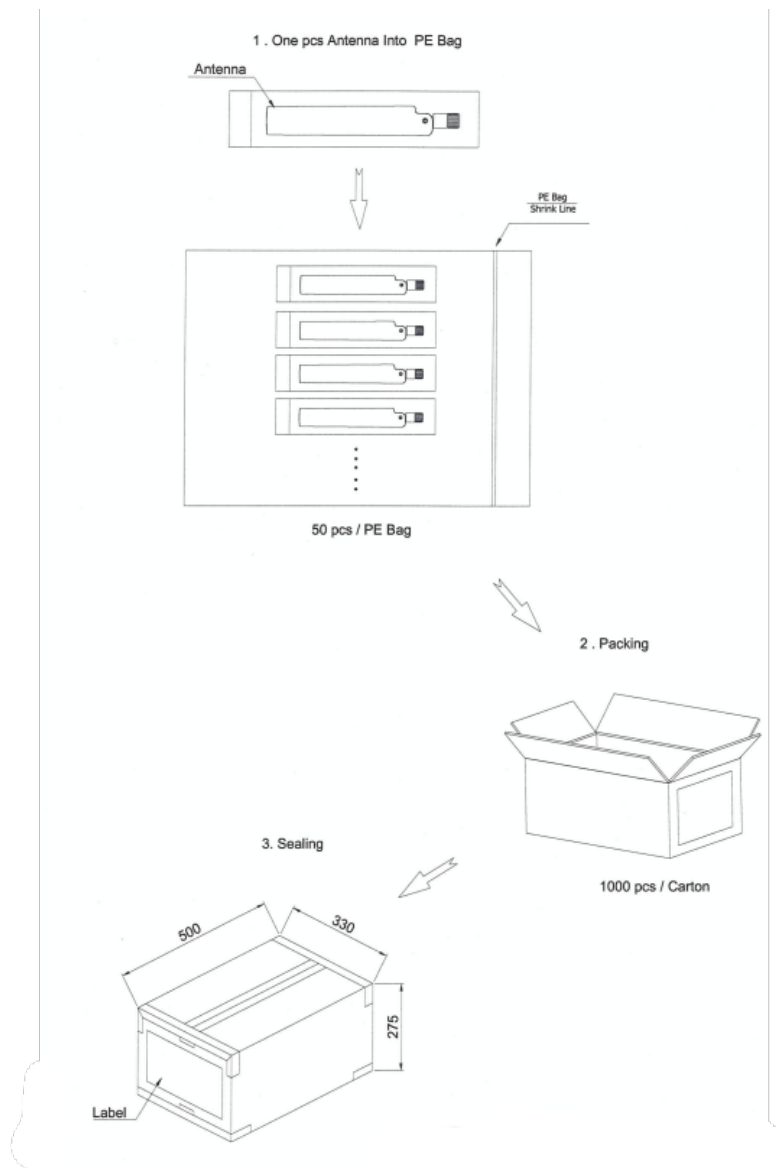
Packaging Information

Dimension of the Carton : 500 x 330 x 275 mm

No. of pieces/bag: 50 pcs

No. of bags/carton: 20

Total no. of pieces/carton: 1000 pcs



ATTENTION: Abracon LLC's products are COTS – Commercial-Off-The-Shelf products; suitable for Commercial, Industrial and, where designated, Automotive Applications. Abracon's products are not specifically designed for Military, Aviation, Aerospace, Life-dependent Medical applications or any application requiring high reliability where component failure could result in loss of life and/or property. For applications requiring high reliability and/or presenting an extreme operating environment, written consent and authorization from Abracon LLC is required. Please contact Abracon LLC for more information.



5101 Hidden Creek Ln Spicewood TX 78669
Phone: 512-371-6159 | Fax: 512-351-8858
For terms and conditions of sales, please visit:
www.abracon.com

REVISED: 11-17-21

ABRACON IS
ISO9001-2015
CERTIFIED