



**ANATECH ELECTRONICS INC**  
RF & Microwave Filters & Products

# 90.51 MHz LC Band Pass Filter

**Part Number: AE90.51B5453**



## Electrical Specifications

**Center Frequency:** 90.51 MHz  
**3dB Passband:** 76.2-107.8 MHz  
**Insertion Loss:** 3.0dB Max.  
**Return Loss:** 14.0dB Min.  
**Rejection1:** 40dB Min @ 64.4 MHz  
**Rejection2:** 40dB Min @ 127.5 MHz  
**Power Handling:** 10 W  
**Input/output Impedance:** 50 Ohms

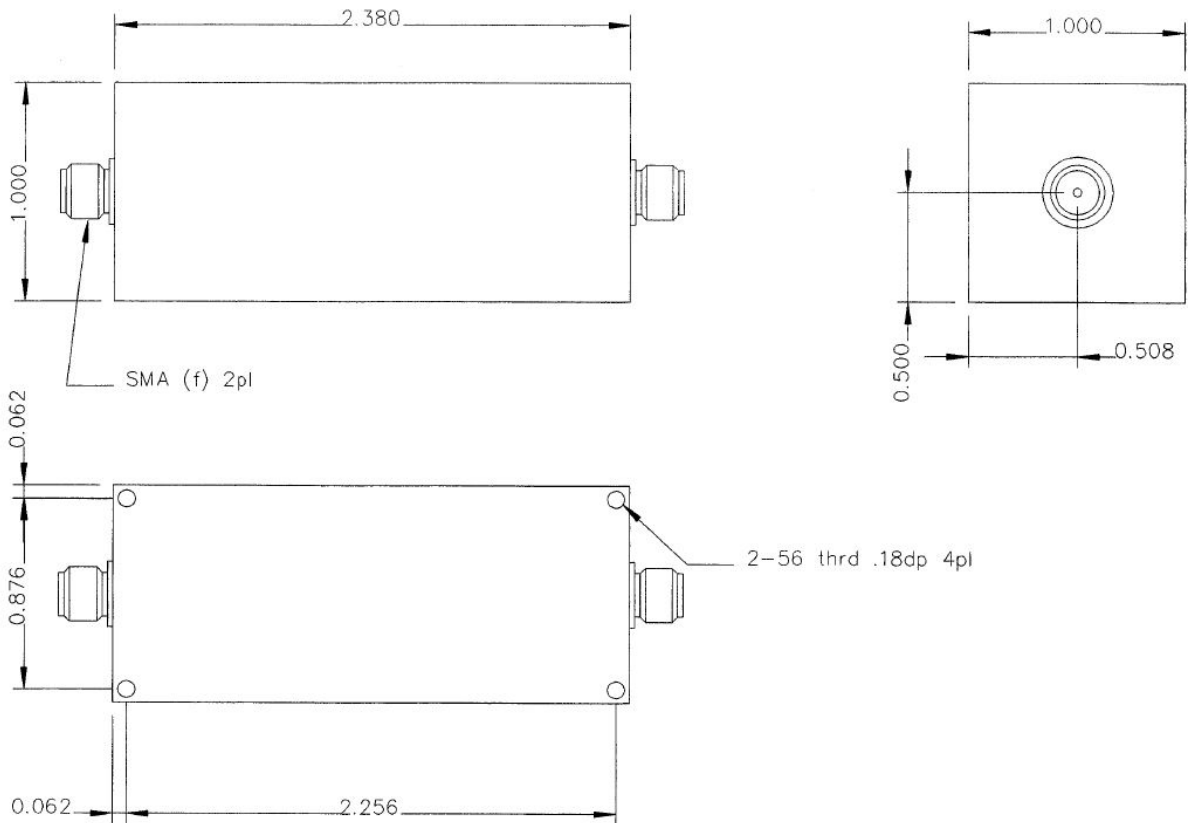
## Mechanical

**Mounting Method:** Threaded Holes  
**Connector Type:** SMA(F)  
**Dimensions:** 2.38" X 1.0" x 1.0"

## Environmental

**Operating Temperature:** -25°C to +70°C  
**Storage Temperature:** -40°C to +90°C  
**Shock:** 10 G. 11ms  
**Vibration:** 10 G. 5 to 200Hz

## Outline Drawing:



Tolerance: +/-0.01 inches [+/- 0.3mm]

Angles: +/- 1 Deg.

\*Tolerance as shown unless otherwise specified in the datasheet electrical specification tables above.

\*When max dimensions are called out the above tolerances do not apply as long as it is under the max call out.

**70 Outwater Lane Phone: (973) 772-4242**  
**Garfield, NJ 07026 Fax : (973) 321-3941**

**Email: [sales@anatechelectronics.com](mailto:sales@anatechelectronics.com)**  
**Web: [www.anatechelectronics.com](http://www.anatechelectronics.com)**



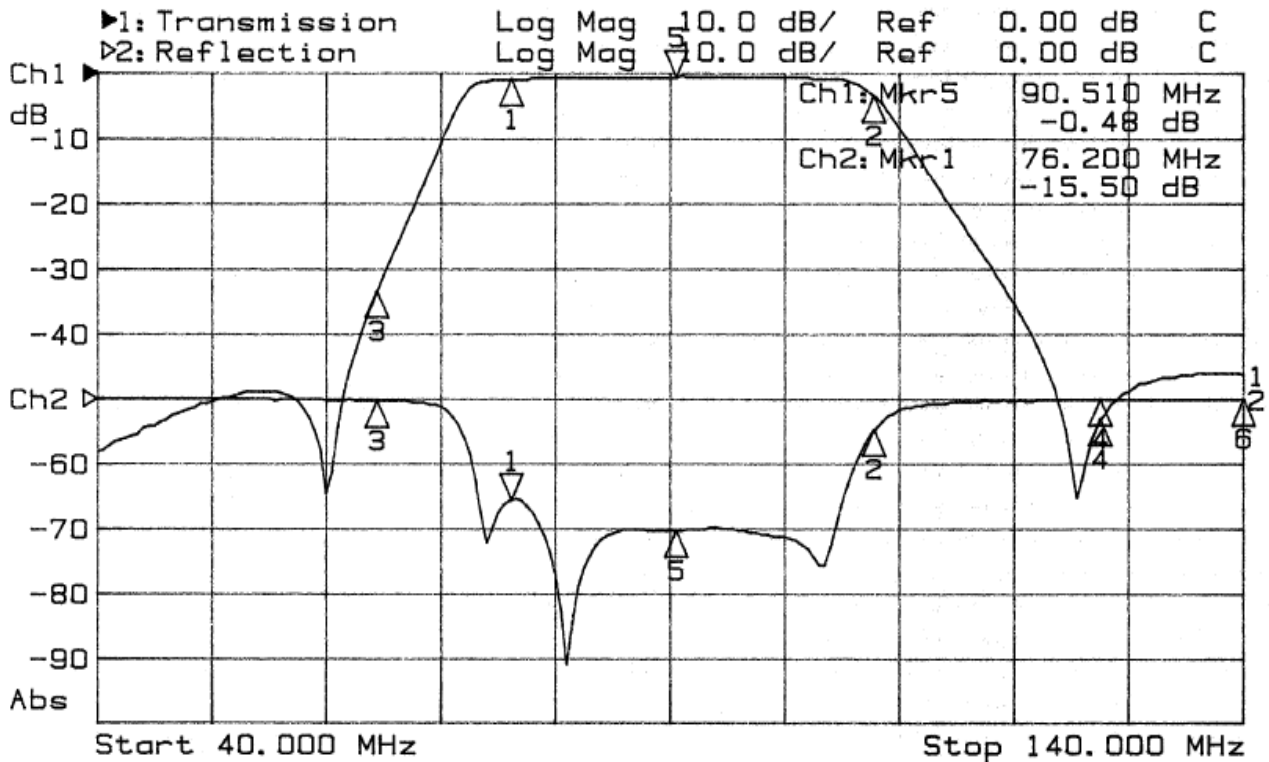
**ANATECH ELECTRONICS INC**  
RF & Microwave Filters & Products

# 90.51 MHz LC Band Pass Filter

Part Number: AE90.51B5453



## Response Plot:



| 1: Mkr (MHz) | dB     | 2: Mkr (MHz) | dB        |        |
|--------------|--------|--------------|-----------|--------|
| 1:           | 76.20  | -0.94        | 1> 76.20  | -15.50 |
| 2:           | 107.80 | -3.48        | 2: 107.80 | -4.73  |
| 3:           | 64.40  | -33.47       | 3: 64.40  | -0.26  |
| 4:           | 127.50 | -53.19       | 4: 127.50 | -0.12  |
| 5>           | 90.51  | -0.48        | 5: 90.51  | -20.26 |
|              |        |              | 6: 140.00 | -0.01  |