



Electrical Specifications

Cutoff Frequency (Fc): 8 MHz
Passband: 8-240 MHz
Insertion Loss @ 16MHz: 0.5dB Max.
Passband Return Loss: 15dB Min.
Rejection: 51 dB Min. @ 3.02 MHz

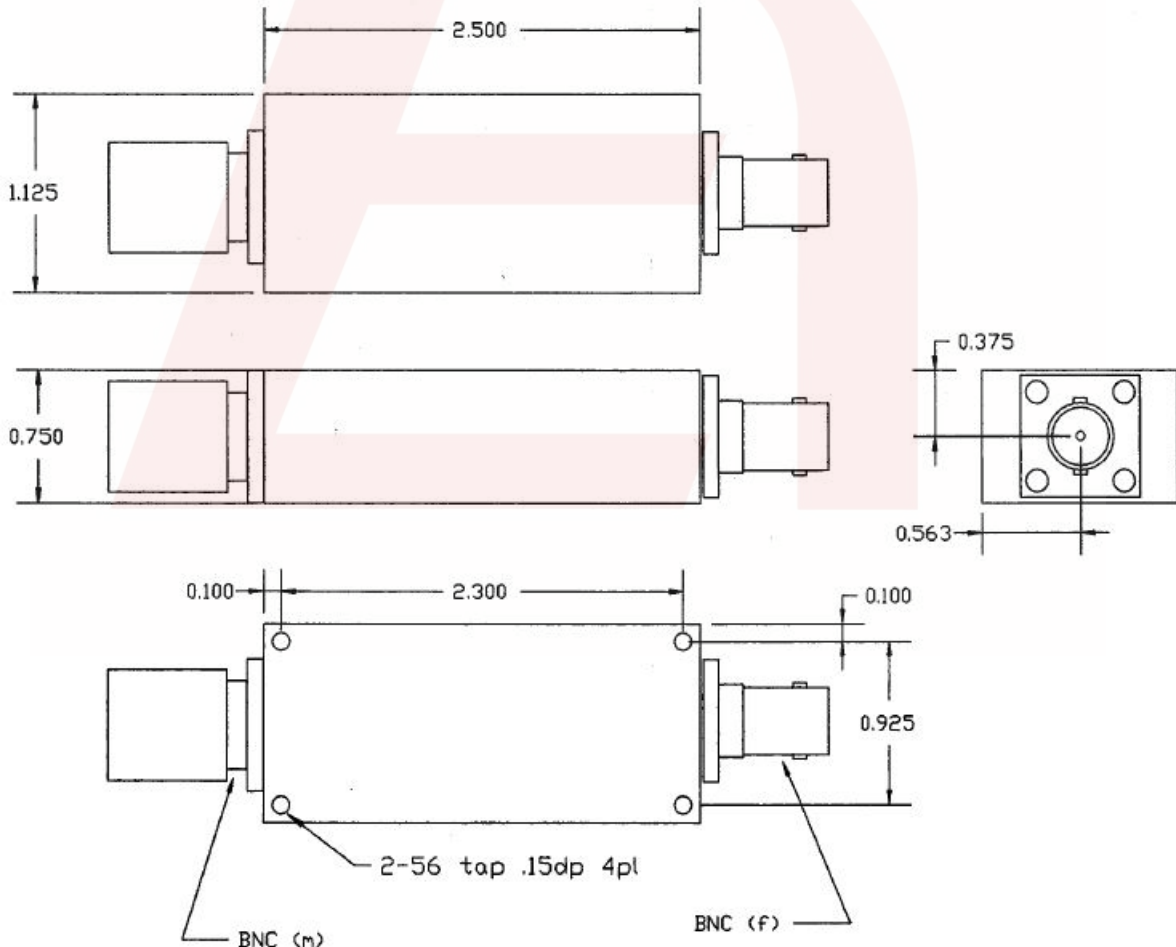
Mechanical

Connector Type: BNC(M) & BNC(F)
Dimensions: 2.5" x 1.125" x 0.75"

Environmental

Operating Temperature: -25°C to +70°C
Storage Temperature: -60°C to +90°C
Shock: 10 G. 11ms
Vibration: 10 G. 5 to 200Hz

Outline Drawing:





Response Plot :

