



773-793 MHz Cavity Bandpass Filter

Part Number: AE783B10957



ANATECH ELECTRONICS INC
RF & Microwave Filters & Products

Electrical specifications

Passband: 773-793 MHz
Insertion Loss: ≤ 1.0 dB
Passband Return Loss: ≥ 16 dB
Rejection: ≥ 30 dB @ 763, 803 MHz
Power Handling: 30 W
Input / Output Impedance: 50 Ohms

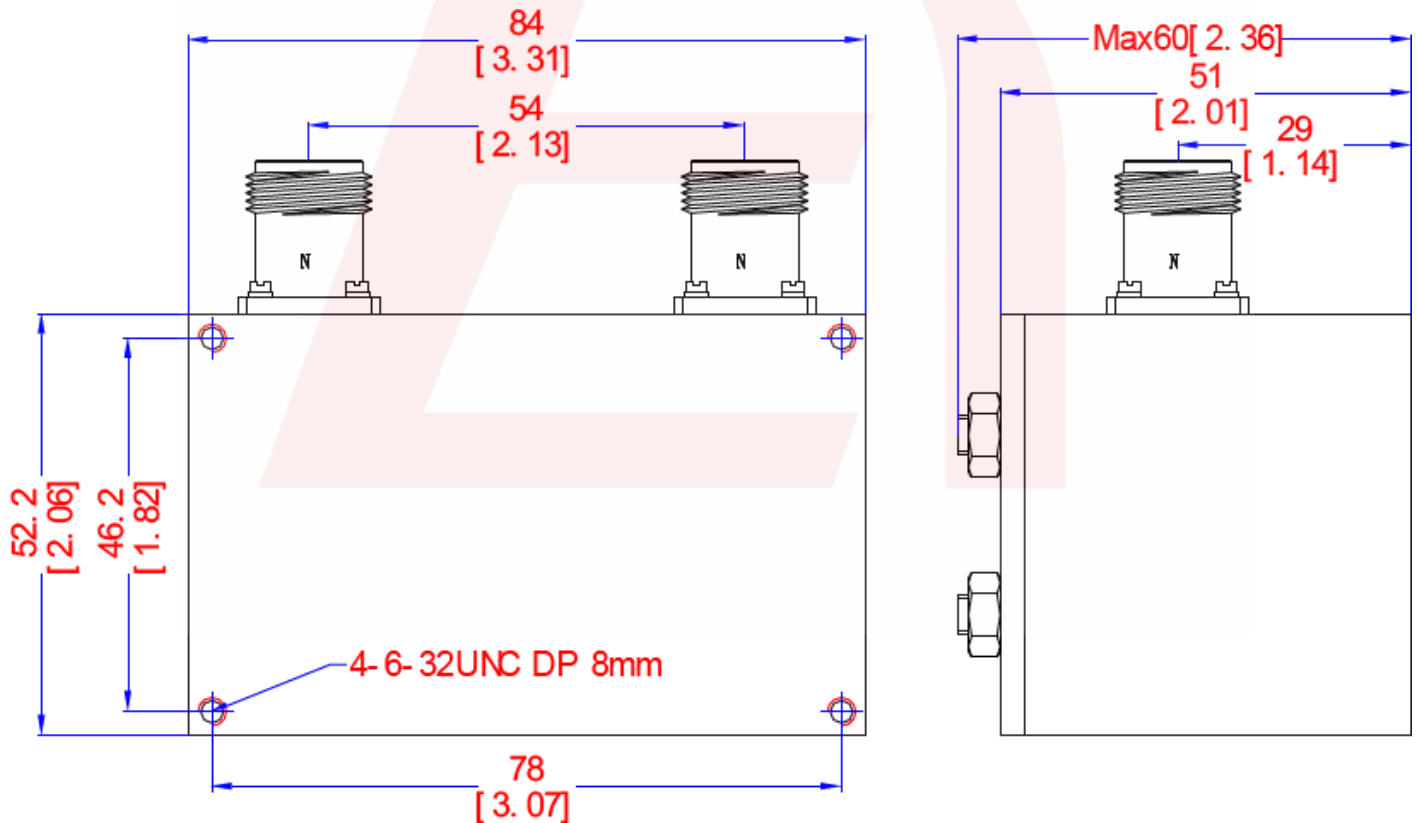
Mechanical

Connector Type: N-Type (F)
Dimensions: 3.31 x 2.36 x 2.06 inches

Environmental

Operating Temperature: -45 to +85 deg. C
Storage temperature: -65 to +95 deg. C
Shock: 20 G's, 1/2 sine, 11ms
Vibration: 10 G's, 10-2000Hz
Relative Humidity: 0-95%

Outline Drawing:



DS-B10957-02092015-Rev0



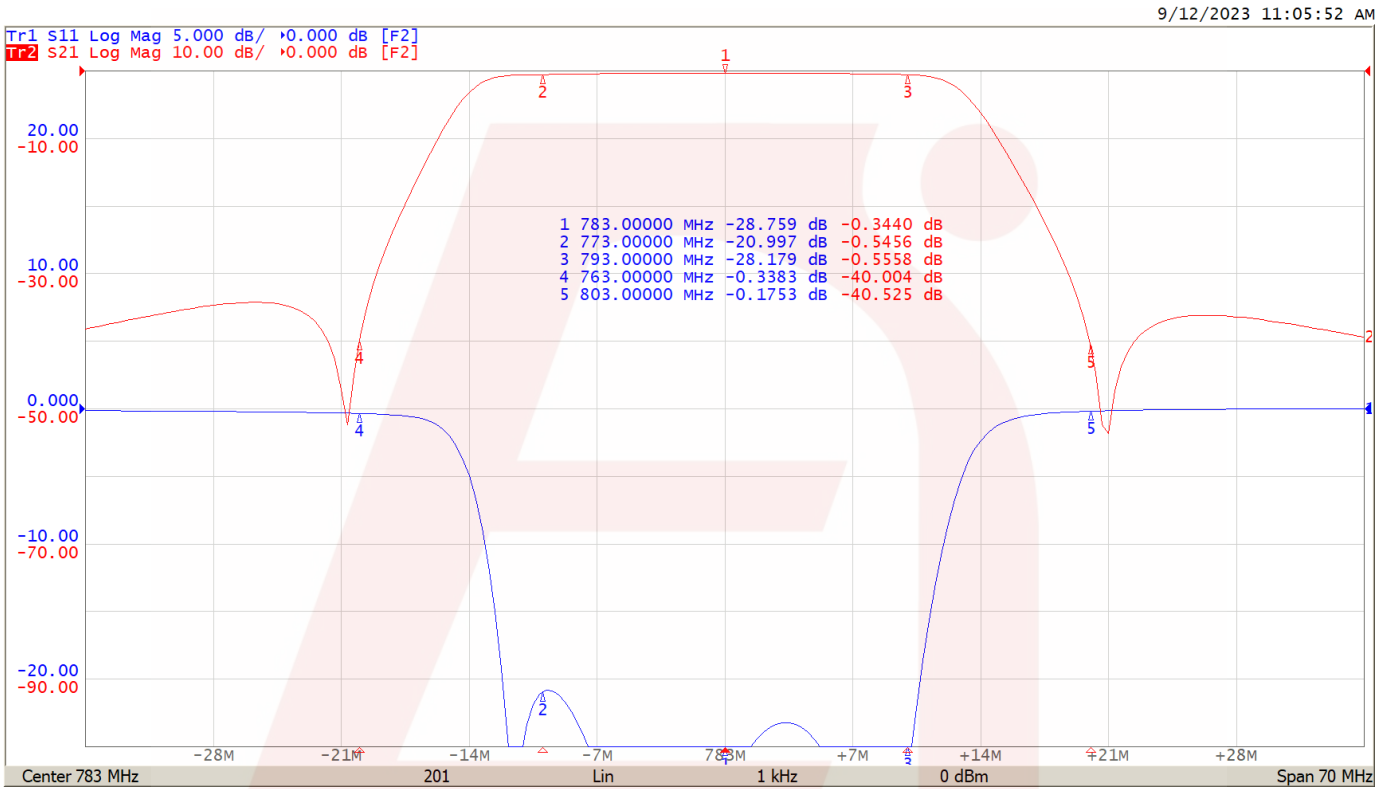
773-793 MHz Cavity Bandpass Filter

Part Number: AE783B10957



ANATECH ELECTRONICS INC
RF & Microwave Filters & Products

Response Plot:



DS-B10957-02092015-Rev0