



7602.706 MHz Cavity Band Pass Filter



ANATECH ELECTRONICS INC
RF & Microwave Filters & Products

Part Number: AE7602B11189

Electrical Specifications

- Center Frequency:** 7602.706 MHz
- 3dB Bandwidth:** 1% Max
- Insertion Loss at Center:** 1.75 dB Max
- Return Loss at Center:** 15 dB Min
- 30dB Bandwidth:** 300 MHz Max (CF ± 150 MHz)
- Power Handling:** 25 Watts Max

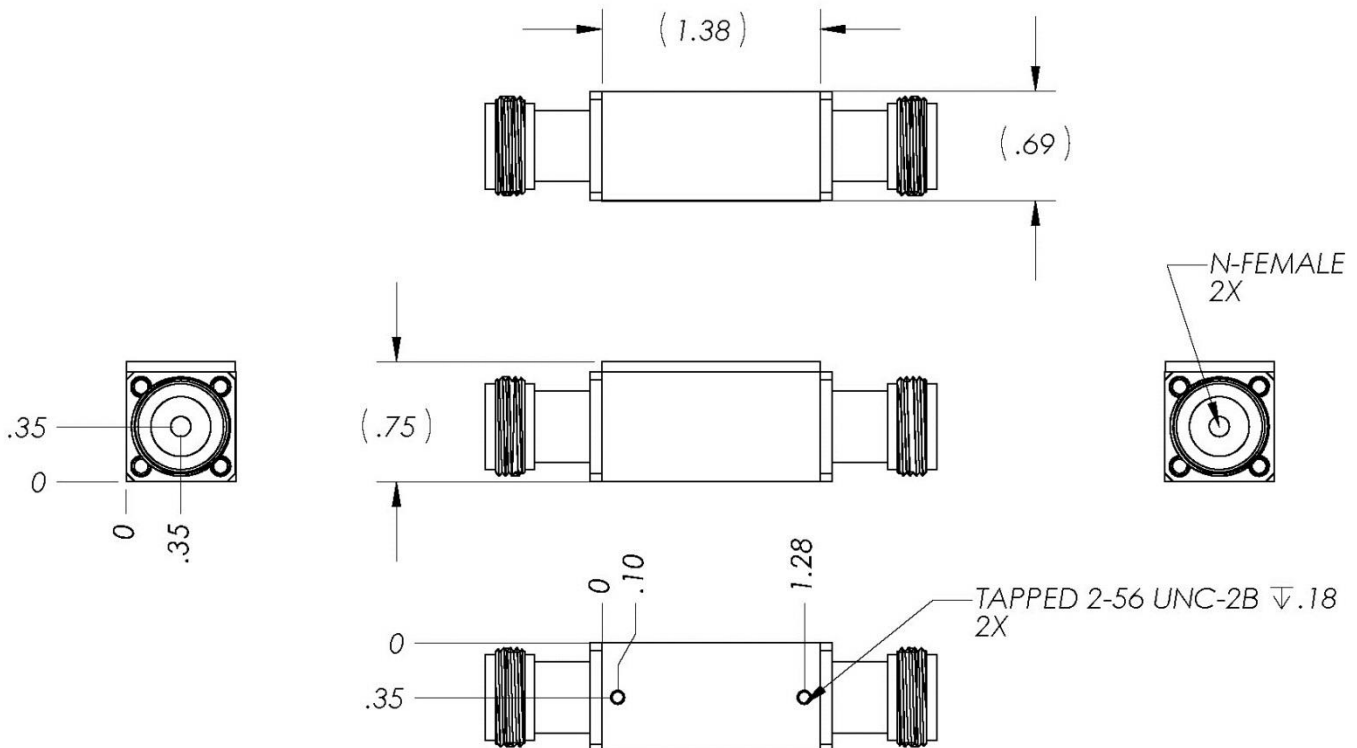
Mechanical

- Connector Type:** N-Type (F)
- Dimensions:** 1.38 x 0.69 x 0.75 Inches

Environmental

- Operating Temperature:** -40 to +80° C
- Storage Temperature:** -50 to +95° C

Outline Drawing:





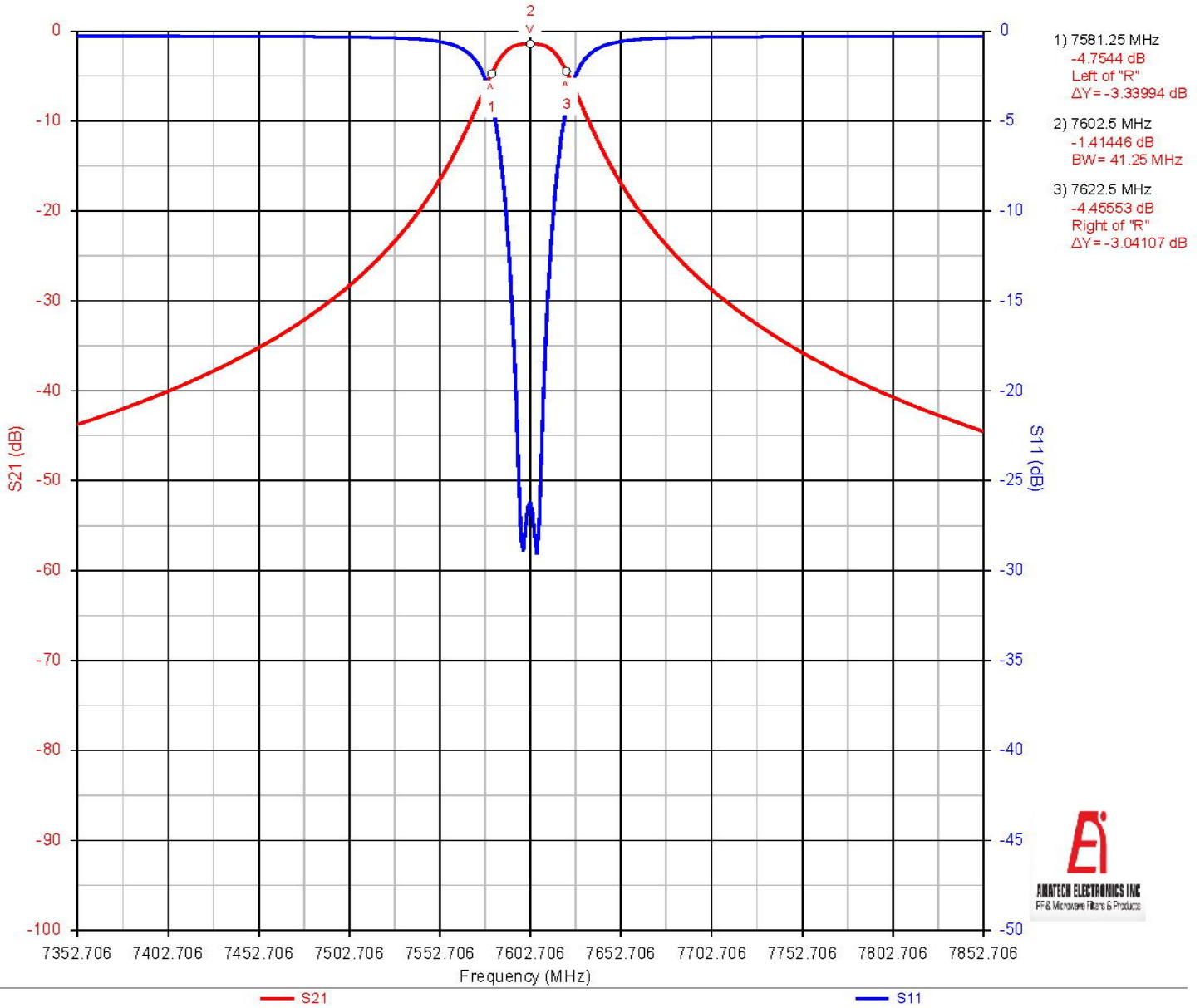
7602.706 MHz Cavity Band Pass Filter



ANATECH ELECTRONICS INC
RF & Microwave Filters & Products

Part Number: AE7602B11189

Response Plot:



Note: This is a simulation plot. Actual results may differ once the product is implemented.