



ANATECH ELECTRONICS, INC.

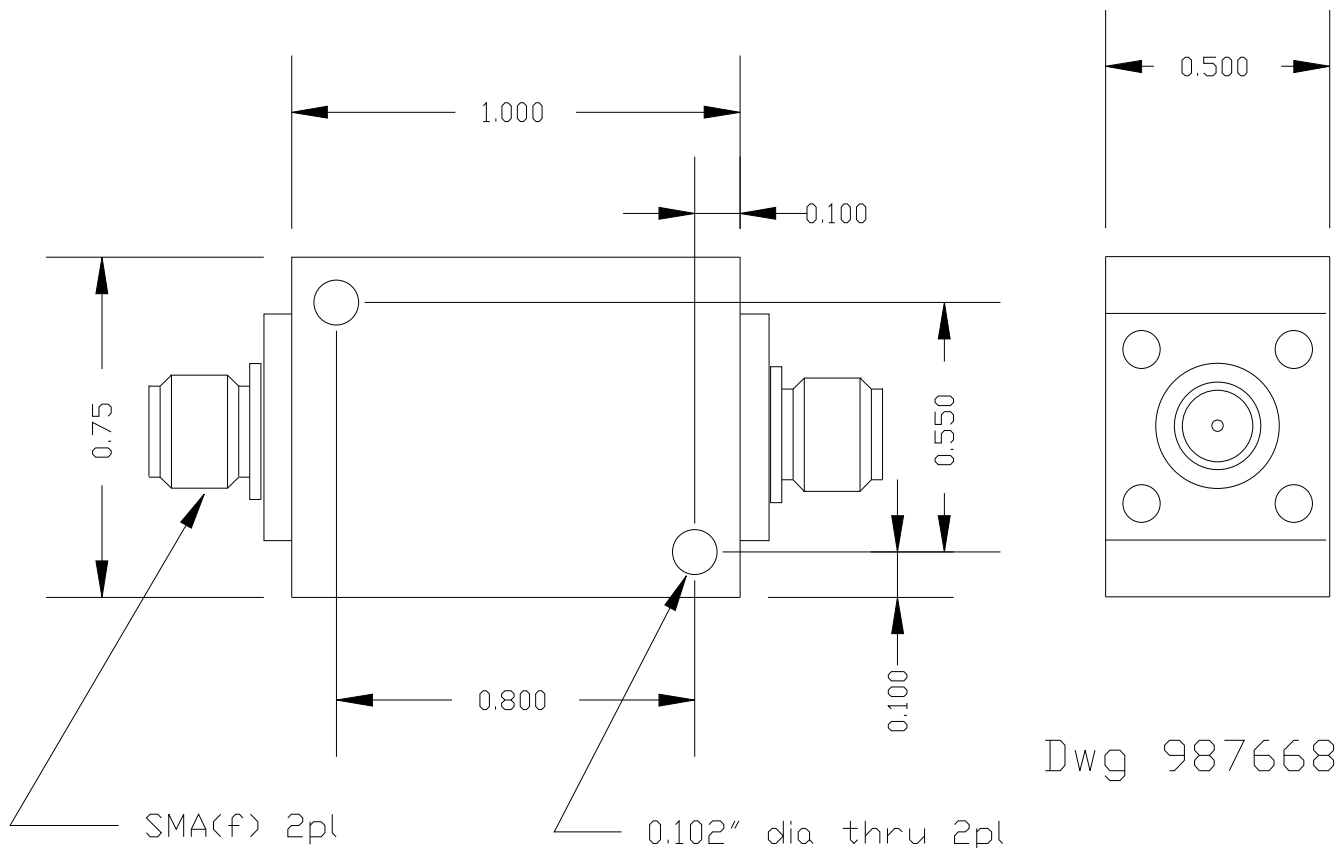
Manufacturer of RF & Microwave Filters and Products



750-4000 MHz LC Highpass Filter

Part Number: AE750H9753

Passband	750-4000MHz
Insertion loss over passband	<1.5dB
Return loss over Passband	>14dB
Ripple in Passband	<0.1dB
Rejection @380-520MHz	>35dB
Size	1x0.75x0.5
Connector	SMA, Panel Receptacle, jack



Dwg 987668