



ANATECH ELECTRONICS, INC.

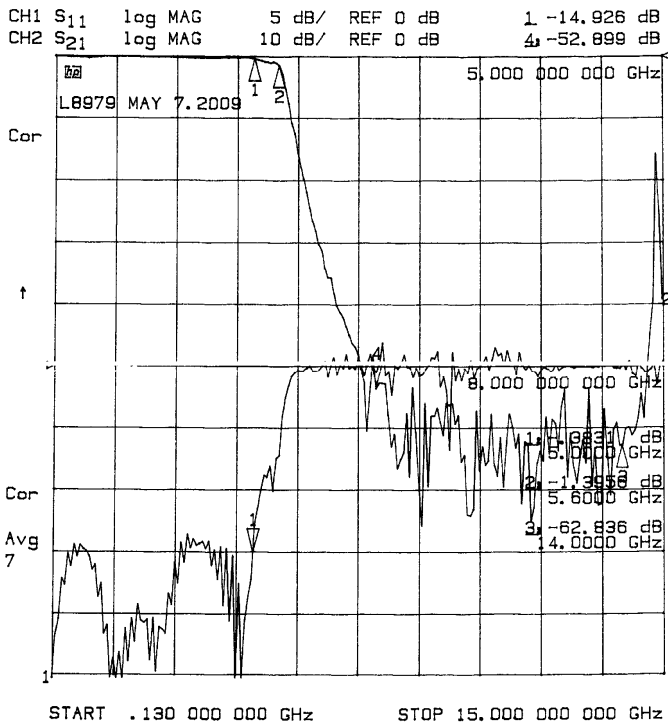
Manufacturer of RF & Microwave Filters and Products



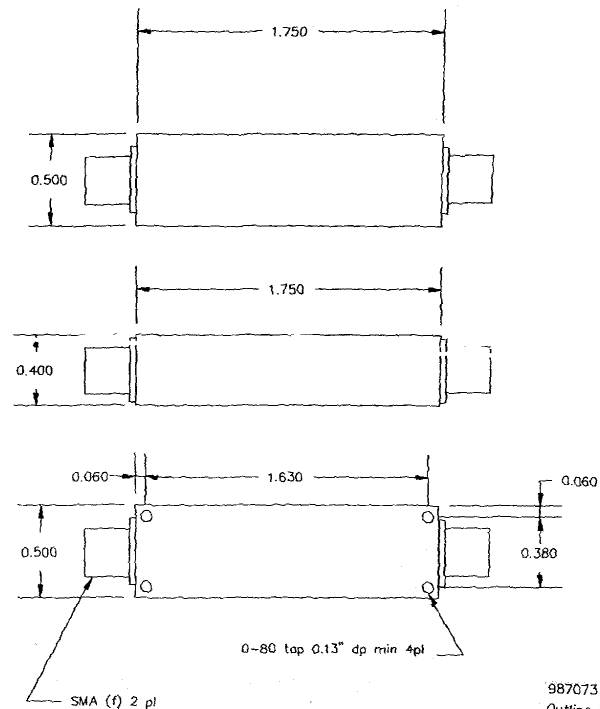
Part Number: AE5000L8979
0-5 GHz LC Lowpass Filter

Passband: 0-5 GHz
Insertion Loss: <1 dB
Return Loss: >15 dB
Rejection: >35 dB @ 8-14 GHz

Response Plot:



Outline Drawing:



987073 ajs 4/9/03
Outline Drawing
Anatech Electronics Inc.
(986923)