



Electrical Specifications

Cutoff Frequency (Fc): 4 MHz

Passband: 4-18 MHz

Insertion Loss @8 MHz: 0.5dB Max.

Passband Return Loss: 15dB Min.

Rejection: 51 dB Min. @ 1.51 MHz

Mechanical

Connector Type: BNC(M) & BNC(F)

Dimensions: 2.5" x 1.125" x 0.75"

Environmental

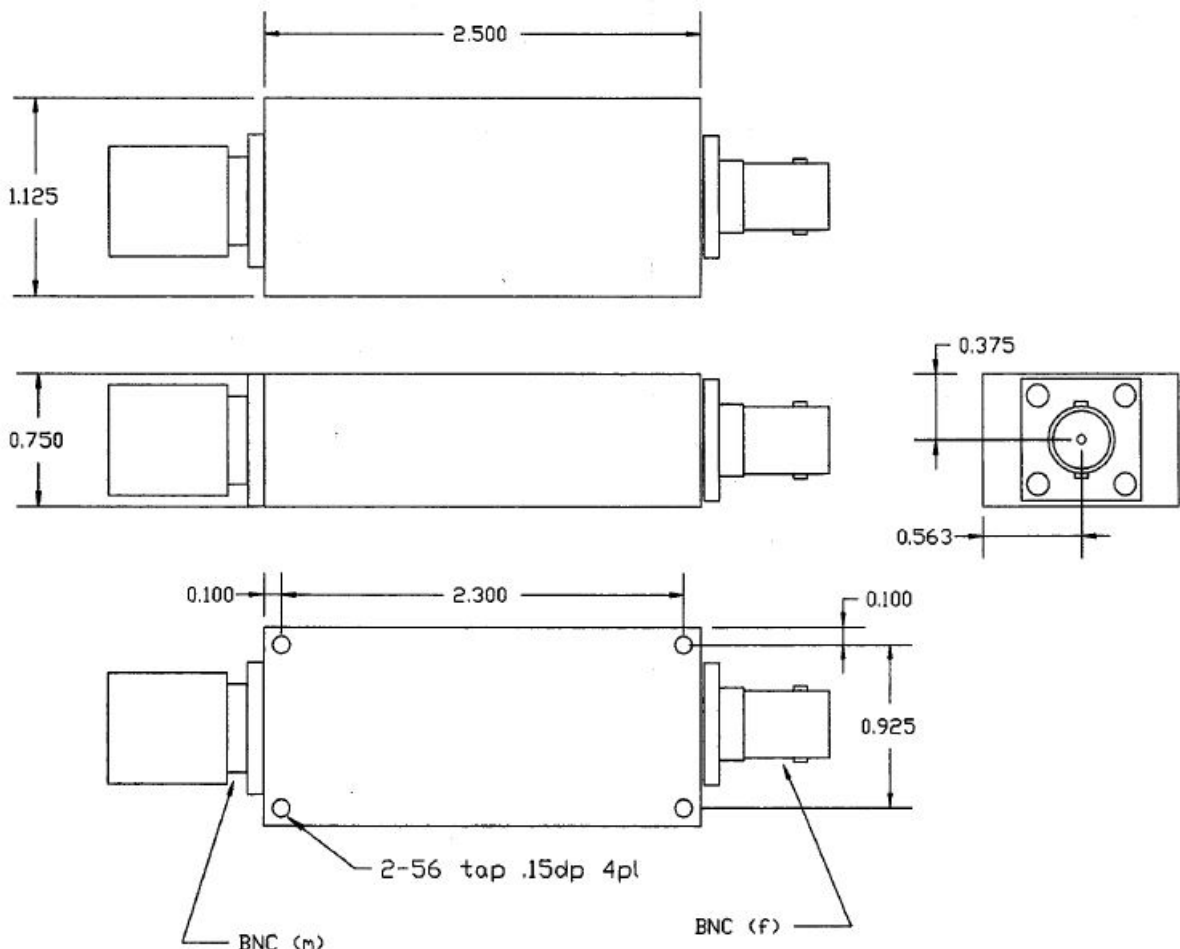
Operating Temperature: -25°C to +70°C

Storage Temperature: -40°C to +90°C

Shock: 10 G. 11ms

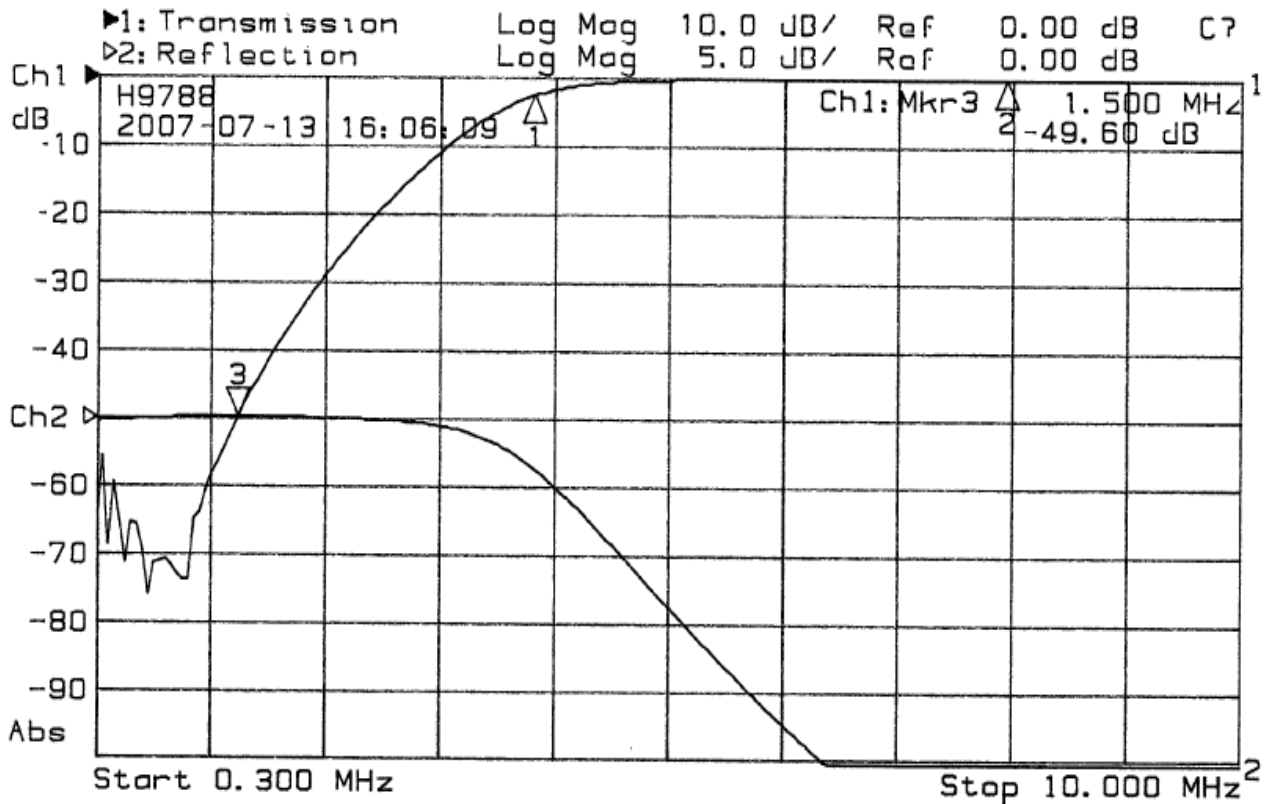
Vibration: 10 G. 5 to 200Hz

Outline Drawing:





Response Plot :



1: Mkr (MHz)	dB	2: Mkr (MHz)	dB
1:	4.00	-2.55	
2:	8.00	-0.04	
3>	1.50	-49.60	

