



Electrical Specifications

Center Frequency: 455 MHz
-3dB Pass Band: 450-460 MHz Max
Insertion Loss: 5.75 dB Max at 455 MHz
Return Loss: 14 dB Min
Ripple: 0.2 dB; Goal 0.05dB
Stopbands: >20 dB @ 446 & 465 MHz
 >30 dB @ 445 & 468 MHz
 >40 dB @ 440 & 475 MHz
 >50 dB @ 435 & 480 MHz
 >60 dB @ 430 & 485 MHz

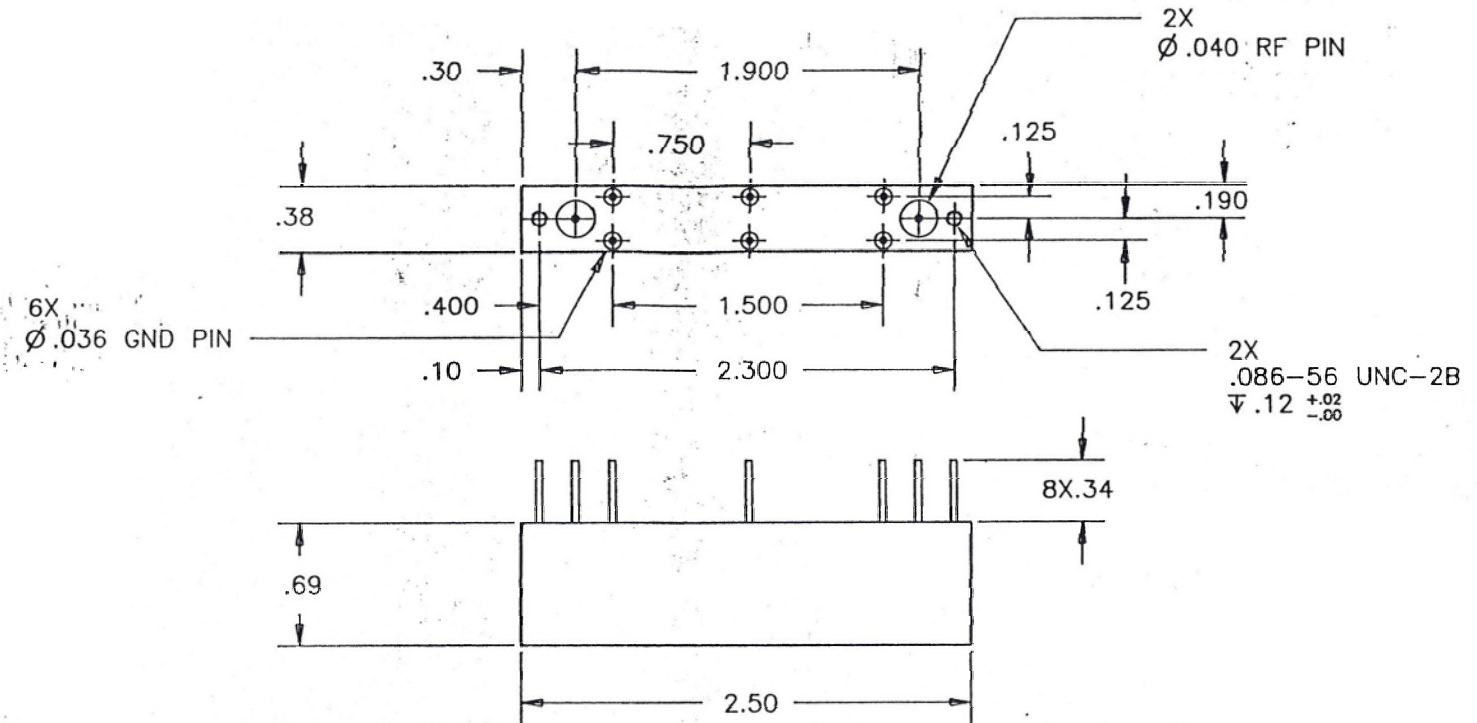
Mechanical

Connector Type: RF Pins
Dimensions: 2.50 x 0.38 x 0.69 Inches

Environmental

Operating Temperature: -30 to +85° C
Storage Temperature: -40 to +95° C
Shock: 20 G. 11 ms
Vibration: 20 G. 5 to 200 MHz

Outline Drawing:



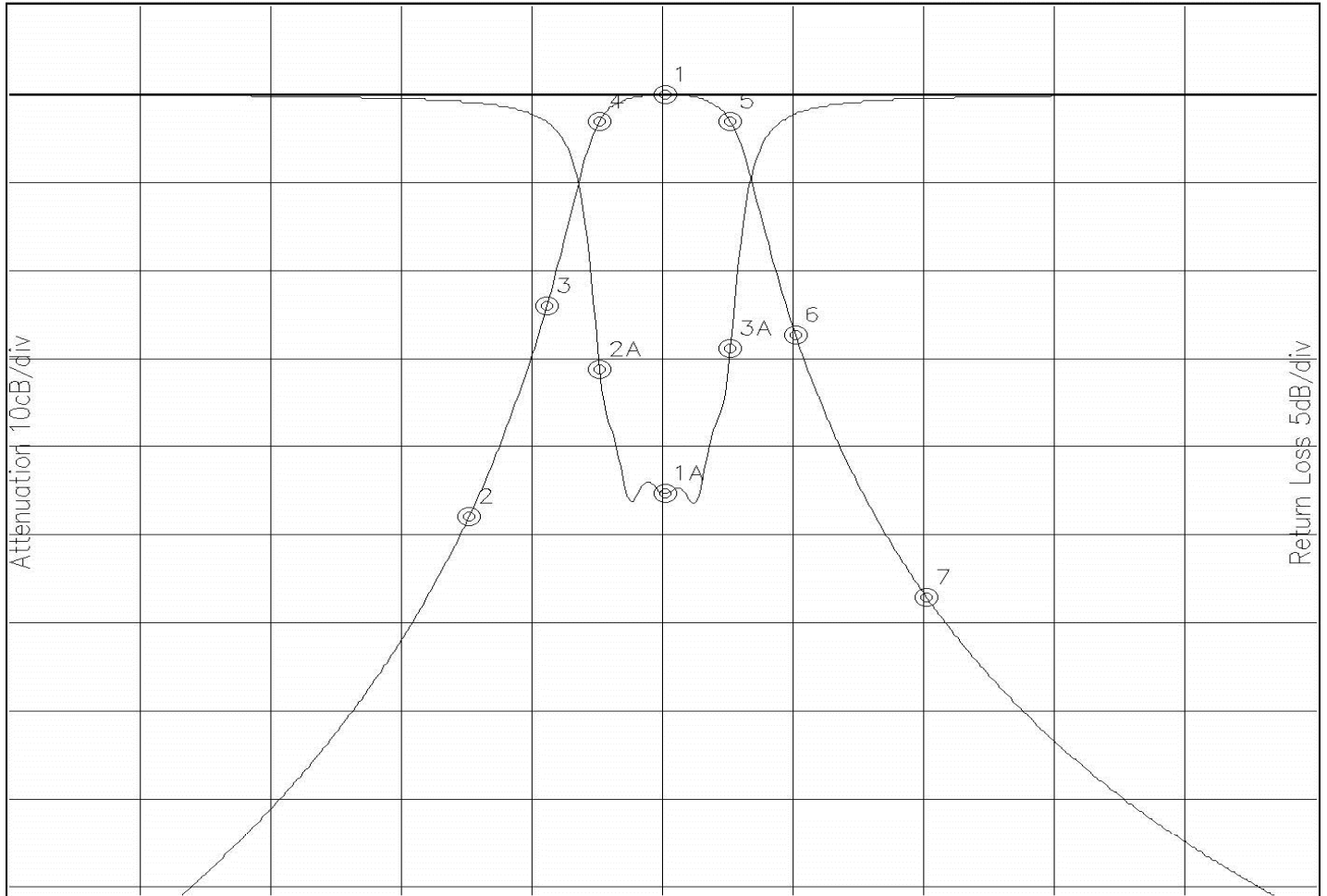


Response Plot:

A508.lad

DEC 10, 2015

Attenuation/Return Loss



Attenuation Start: 405.0MHz Stop: 505.0MHz

Return Loss Start: 405.0MHz Stop: 505.0MHz

Offset -5.2173dB

Marker 1 Freq 455.08MHz Atten 0.080dB
 Marker 2 Freq 440.05MHz Atten -47.825dB
 Marker 3 Freq 446.03MHz Atten -23.807dB
 Marker 4 Freq 450.07MHz Atten -3.017dB
 Marker 5 Freq 460.08MHz Atten -3.084dB
 Marker 6 Freq 465.09MHz Atten -27.205dB
 Marker 7 Freq 475.11MHz Atten -56.857dB

Marker 1A Freq 455.08MHz Ret Loss -22.625dB
 Marker 2A Freq 450.07MHz Ret Loss -15.588dB
 Marker 3A Freq 460.08MHz Ret Loss -14.377dB