



**Electrical Specifications**

**Pass Band:** 3dB BW 214.5 Min to 225.5 Max MHz  
**Insertion Loss:** 8.0 dB @ 220 MHz  
**In/Out VSWR:** 1.25:1 Max @ 220 MHz  
**Stopband:** 80 dB @ 240 MHz  
 90 dB Design Goal @ 240 MHz  
 40 dB BW 24 Max MHz

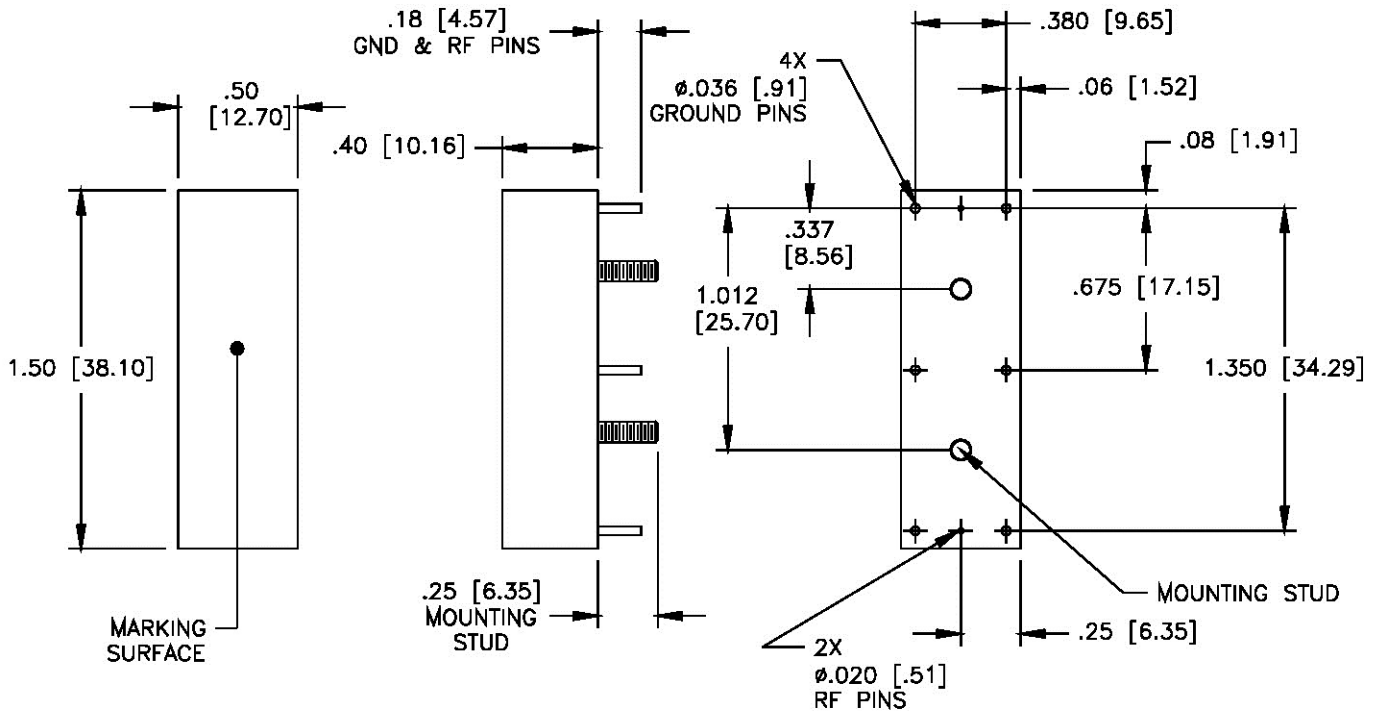
**Mechanical**

**Connector Type:** RF Pins  
**Dimensions:** 1.50 x 0.50 x 0.40 Inches

**Environmental**

**Operating Temperature:** -30 to +85° C  
**Storage Temperature:** -40 to +95° C  
**Shock:** 20 G. 11 ms  
**Vibration:** 20 G. 5 to 200 MHz

**Outline Drawing:**



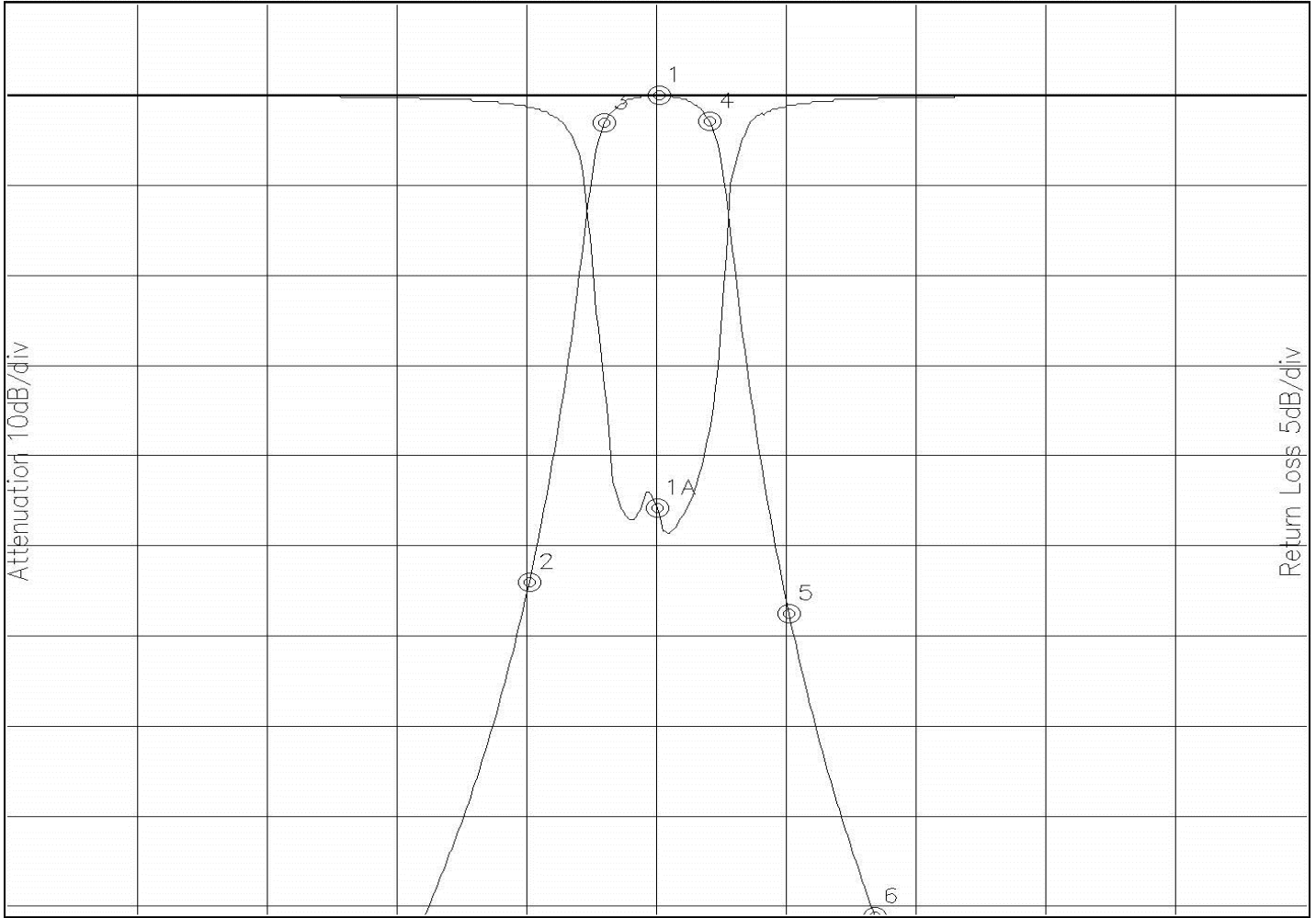


**Response Plot:**

A513.lad

DEC 16, 2015

Attenuation/Return Loss



Attenuation Start: 160.0MHz Stop: 280.0MHz

Return Loss Start: 160.0MHz Stop: 280.0MHz

Offset -6.0869dB

- Marker 1 Freq 220.09MHz Atten 0.052dB
- Marker 2 Freq 208.07MHz Atten -53.848dB
- Marker 3 Freq 215.05MHz Atten -3.044dB
- Marker 4 Freq 224.75MHz Atten -2.826dB
- Marker 5 Freq 232.11MHz Atten -57.296dB
- Marker 6 Freq 240.06MHz Atten -90.772dB

Marker 1A Freq 219.90MHz Ret Loss -22.833dB