



1710-1755 MHz Cavity Bandpass Filter

Part Number: AE1732B11033



ANATECH ELECTRONICS INC
RF & Microwave Filters & Products

Electrical specifications

Center Frequency: 1732.5MHz
Passband: 1710-1755MHz
Bandwidth: 45MHz
Passband return Loss: ≥ 18 dB
Passband insertion Loss: 1dB
Passband Ripple: 0.1dB
Input/Output Impedance: 50 Ohms
Rejection: ≥ 70 dB @ 2110MHz
Power Handling: 40W

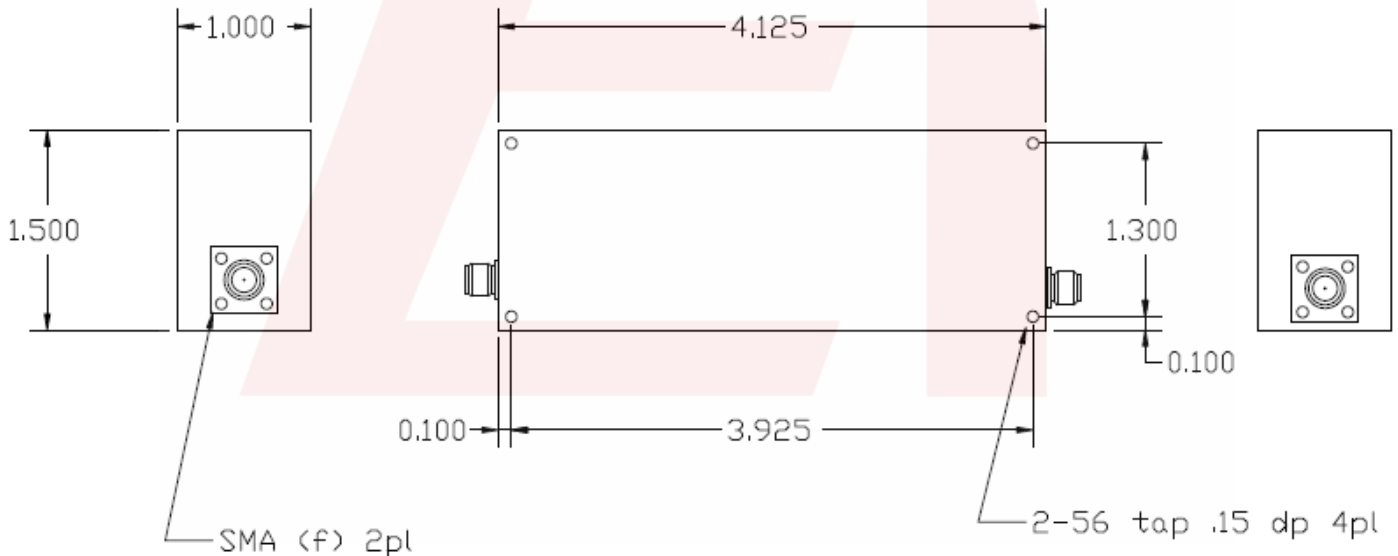
Mechanical

Mounting Method: 2-56 Threaded Mounting
Connector Type: SMA (F)
Dimensions: 4.125" x 1.500" x 1.000" in

Environmental

Operating Temperature: -40°C to +70°C
Storage Temperature: -50°C to +90°C
Shock: 20 G. 11ms
Vibration: 20 G. 5 to 200 Hz

Outline Drawing:



DS-B11033-08202015-Rev0