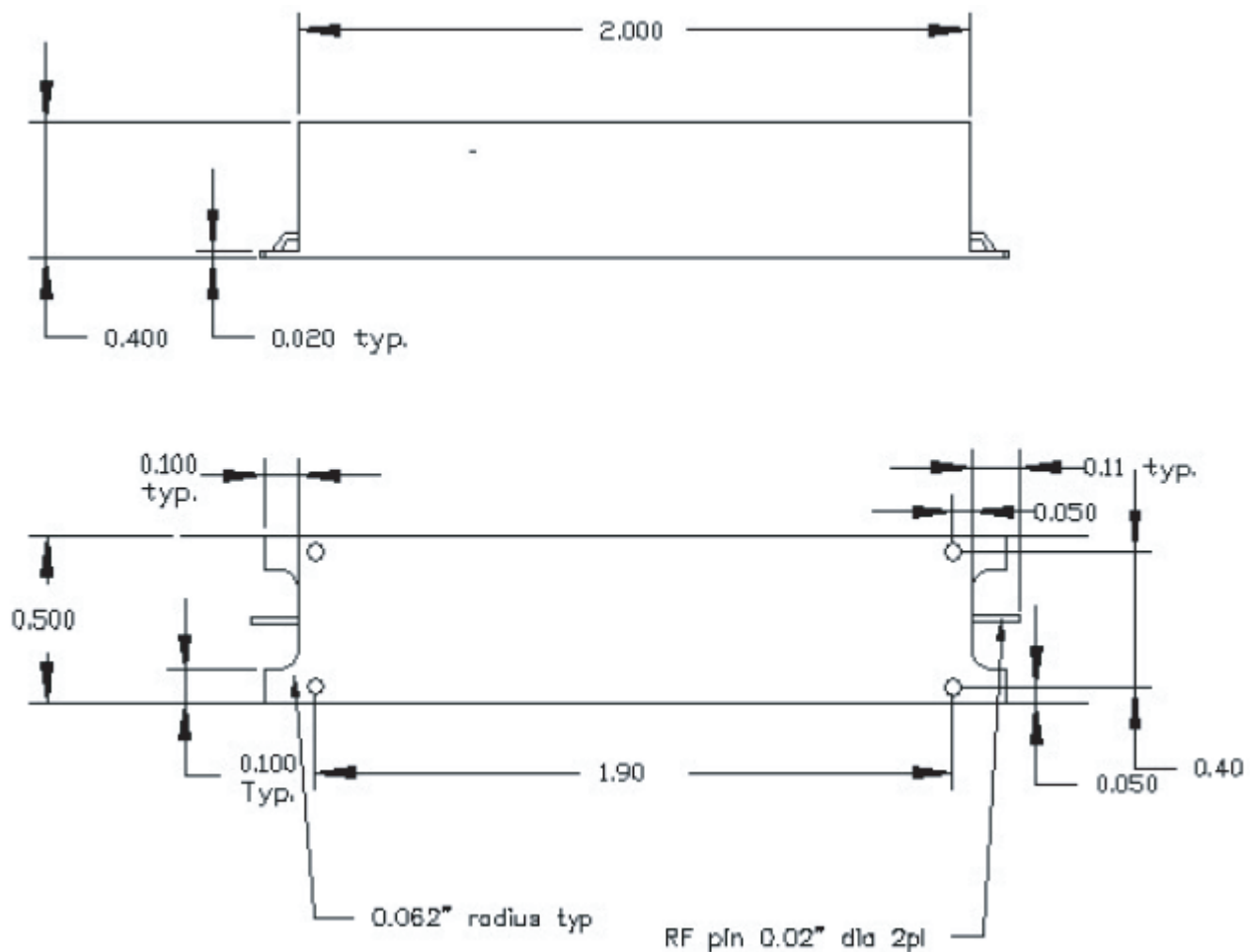




Part Number: AE1250L9015
100-1250 MHz LC Lowpass Filter

Passband: 100-1250 MHz
Insertion Loss: <2 dB
Return Loss: >14 dB
Rejection: >35 dB @ 1500-2000 MHz
>60 dB @ 2000-6000 MHz

Outline Drawing:





Part Number: AE1250L9015 □
 100-1250 MHz LC Lowpass Filter

Response Plot:

