

# Automotive Signal Common Mode Chokes



ACMS-Q4528

Request Samples



Check Inventory



4.5 x 3.2 x 2.8 mm  
RoHS/RoHS II Compliant  
MSL Level = 1

## Features

- AEC-Q200 compliant
- PPAP ready and supported
- Manufactured in TS/IATF 16949 production lines
- Excellent impedance characteristics
- Inductance values from 11  $\mu$ H to 100  $\mu$ H

## Applications

- Differential signal line common mode noise suppression.
- Multimedia devices
- Automotive applications such as ADAS, Infotainment, Sensing, TCU

## Electrical Specifications

Part Number	Impedance ( $\Omega$ ) @10MHz		Inductance ( $\mu$ H) (+50/-30%)	DCR (m $\Omega$ )	Rated Current (A)	Rated Voltage (Vdc)	Insulation Resistance (M $\Omega$ )
	Min	Typ.		Max	Max	Max	Min
ACMS-Q4528-110	300	600	11	600	0.36	50	10
ACMS-Q4528-220	500	1200	22	1000	0.31	50	10
ACMS-Q4528-510	1000	2800	51	1000	0.23	50	10
ACMS-Q4528-101	2000	5800	100	2000	0.20	50	10

**Rated Current is based on an Irms temperature rise of 40°C.**

**Inductance Test Conditions:** 0.1V, 100KHz

**ACMS-Q4528 is AEC-Q200 Automotive certified.**

**ACMS-Q4528 Series is RoHS Compliant and Pb free.**

**Operating Temperature:** -55°C to +150°C (Including self-heating)

**Storage Temperature (on PCB):** -55°C to +150°C.

**Storage (in original packaging):** <40°C, <60% RH.

# Automotive Signal Common Mode Chokes



ACMS-Q4528

Request Samples



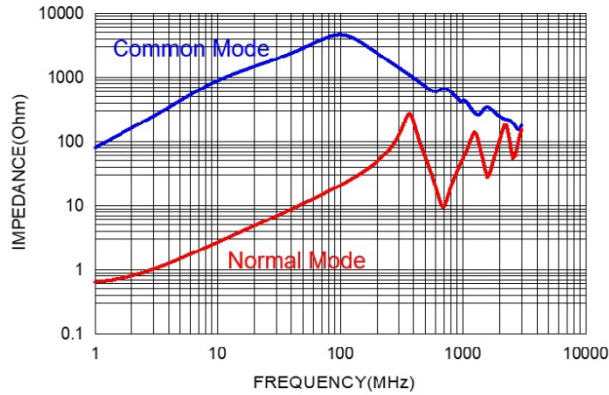
Check Inventory



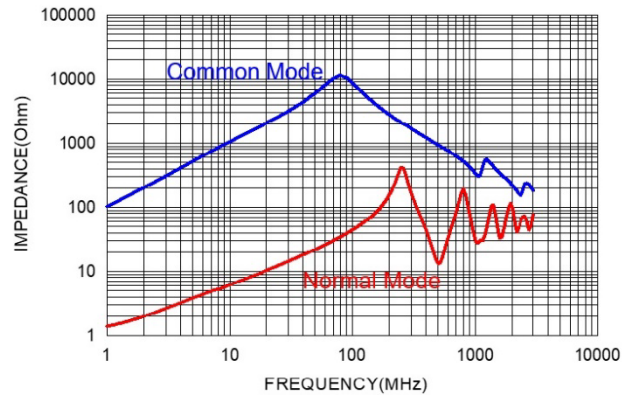
4.5 x 3.2 x 2.8 mm  
RoHS/RoHS II Compliant  
MSL Level = 1

## Electrical Specifications

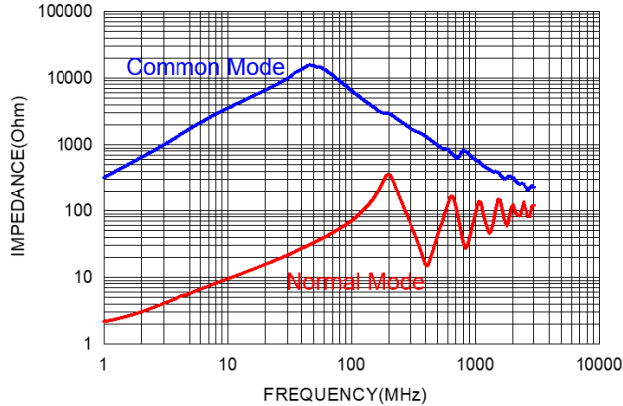
ACMS-Q4528-110



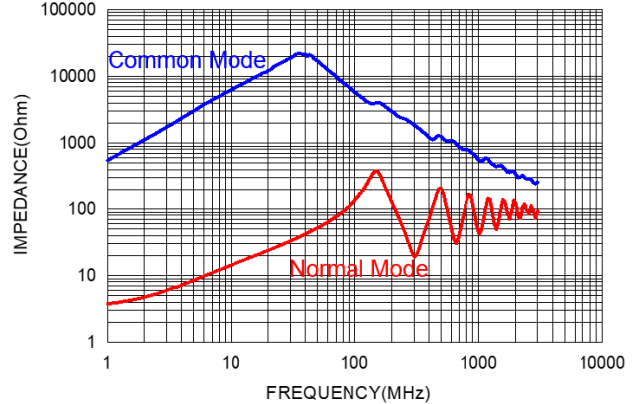
ACMS-Q4528-220



ACMS-Q4528-510



ACMS-Q4528-101



# Automotive Signal Common Mode Chokes



ACMS-Q4528

Request Samples

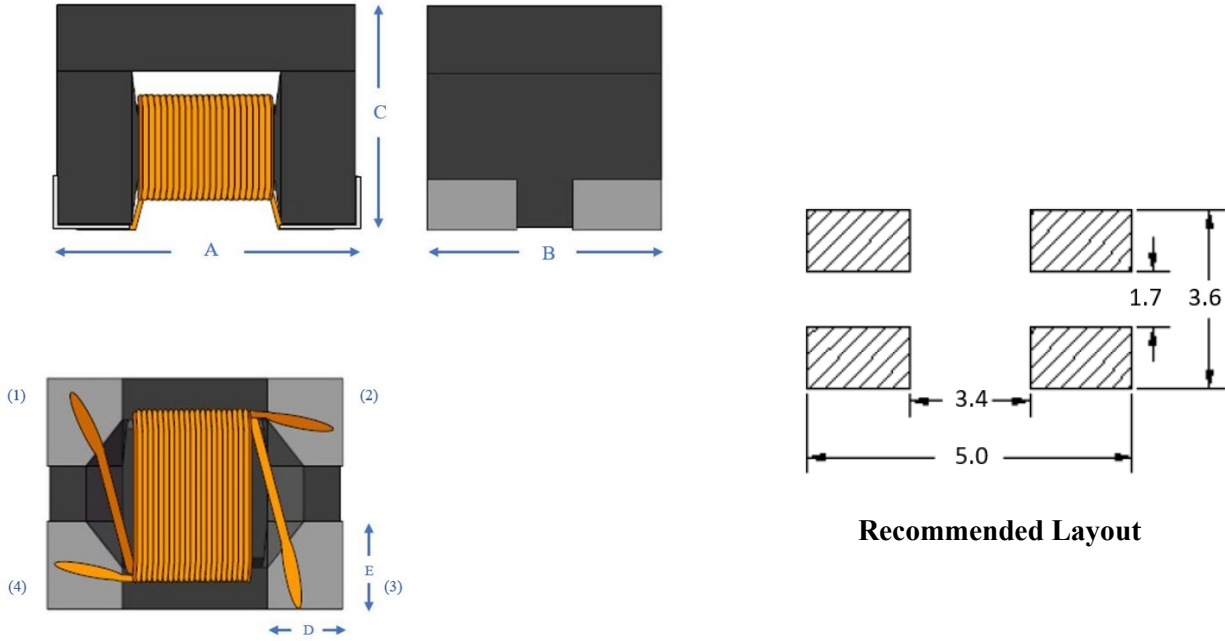


Check Inventory



4.5 x 3.2 x 2.8 mm  
**RoHS/RoHS II Compliant**  
 MSL Level = 1

## Mechanical Specifications

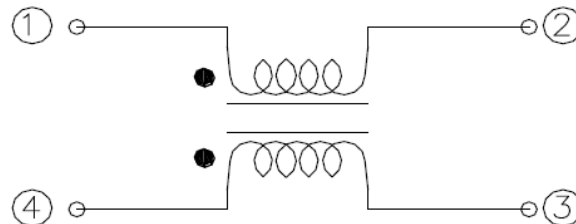


**Recommended Layout**

A	B	C	D	E
4.5 ±0.2	3.2 ±0.2	2.8 ±0.2	0.75 ±0.2	0.85 ±0.2

**Dimensions: mm**

## Schematic



# Automotive Signal Common Mode Chokes



**ACMS-Q4528**

Request Samples

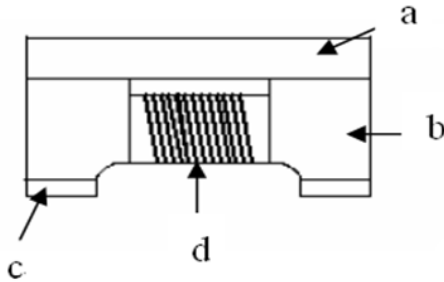


Check Inventory



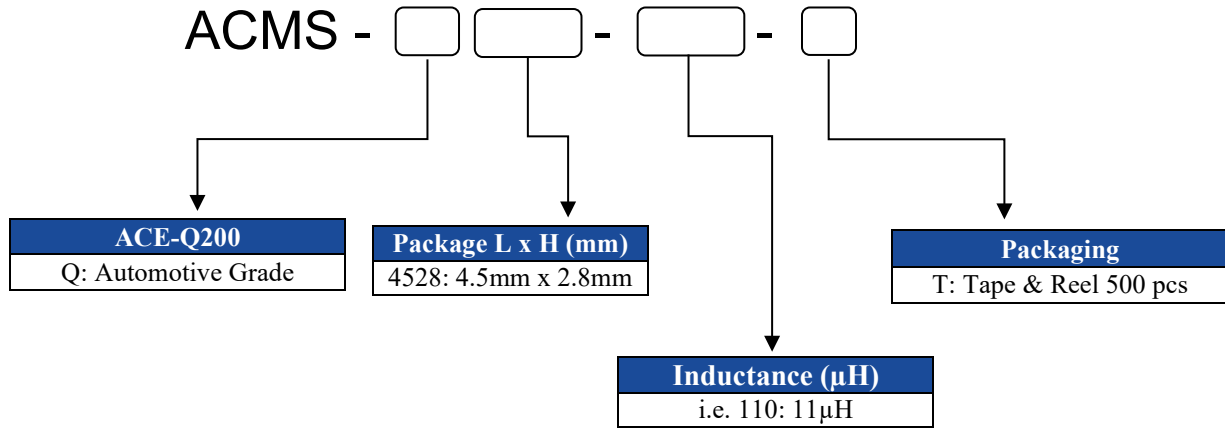
4.5 x 3.2 x 2.8 mm  
**RoHS/RoHS II Compliant**  
 MSL Level = 1

## Materials



	Description	Specification
a	Upper Plate	Ferrite
b	Core	Ferrite Core
c	Electrode	Ag/Ni/Sn
d	Wire	Enameled Copper Wire

## Part Identification



# Automotive Signal Common Mode Chokes



ACMS-Q4528

Request Samples

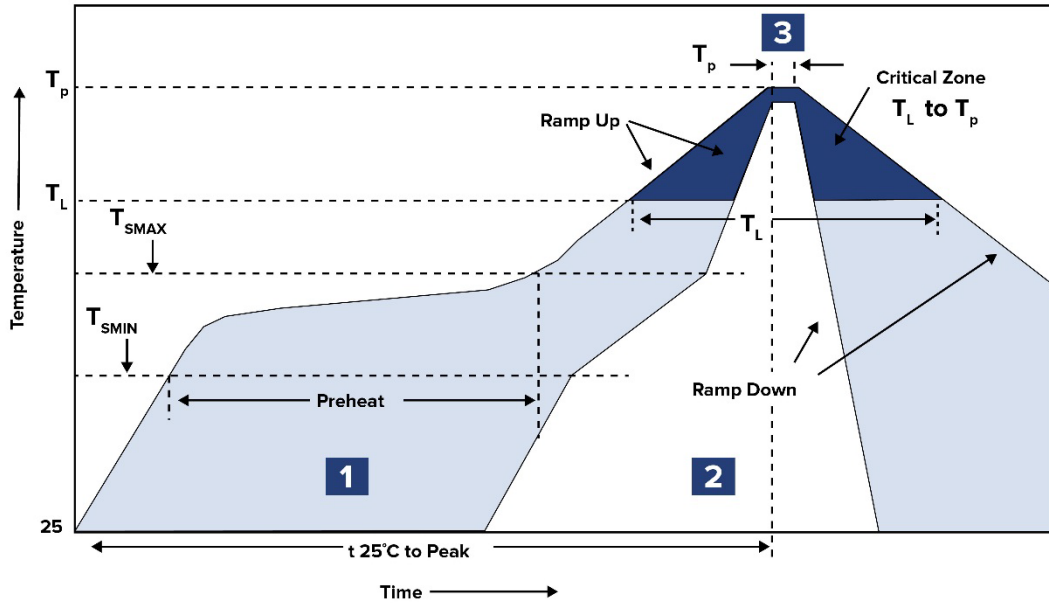


Check Inventory



4.5 x 3.2 x 2.8 mm  
RoHS/RoHS II Compliant  
MSL Level = 1

## Reflow Profile



Zone	Description	Temperature	Times
1	Preheat	$T_{SMIN} \sim T_{SMAX}$ 150°C ~ 200°C	60 ~ 180 sec.
2	Reflow	$T_L$ 217°C	60 ~ 150 sec.
3	Peak heat	$T_P$ 250°C ±5°C	30 sec. MAX

# Automotive Signal Common Mode Chokes



ACMS-Q4528

Request Samples



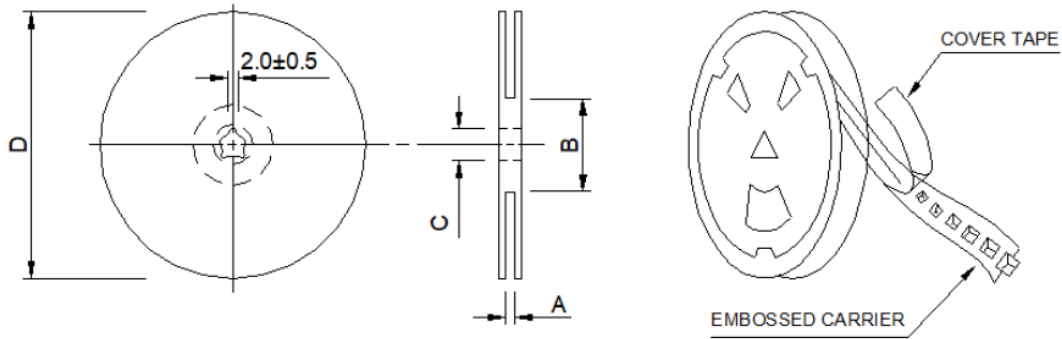
Check Inventory



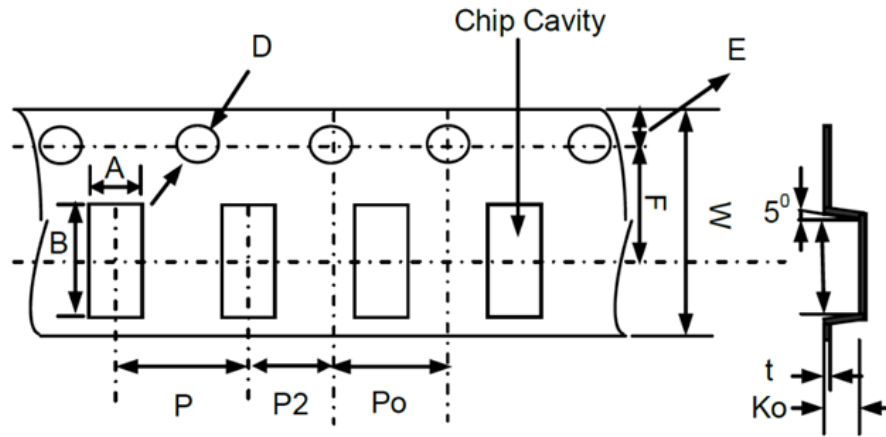
4.5 x 3.2 x 2.8 mm  
RoHS/RoHS II Compliant  
MSL Level = 1

## Packaging

Tape & Reel: 500pcs/reel



Series	A	B	C	D
ACMS-Q4528	13.5 ±0.5	60.0 ±2.0	13.5 ±0.5	178 ±2.0



W	P	E	F	P0	P2	Bo	Ao	Ko	D	D1	t
12.0 ±0.10	8.0 ±0.10	1.75 ±0.10	5.5 ±0.10	4.0 ±0.10	2.0 ±0.10	4.9 ±0.10	3.6 ±0.10	3.0 ±0.10	1.5 +0.10/-0	1.5 ±0.10	0.26 ±0.05

## Dimensions: mm

**ATTENTION:** Abracon LLC's products are COTS – Commercial-Off-The-Shelf products; suitable for Commercial, Industrial and, where designated, Automotive Applications. Abracon's products are not specifically designed for Military, Aviation, Aerospace, Life-dependent Medical applications or any application requiring high reliability where component failure could result in loss of life and/or property. For applications requiring high reliability and/or presenting an extreme operating environment, written consent and authorization from Abracon LLC is required. Please contact Abracon LLC for more information.



5101 Hidden Creek Ln, Spicewood TX 78669  
Phone: 512-371-6159 Fax: 512-351-8858  
For terms and conditions of sales, please visit:  
[www.abracon.com](http://www.abracon.com)

REVISION B 8/25/2023

ABRACON IS  
ISO9001-2015  
CERTIFIED