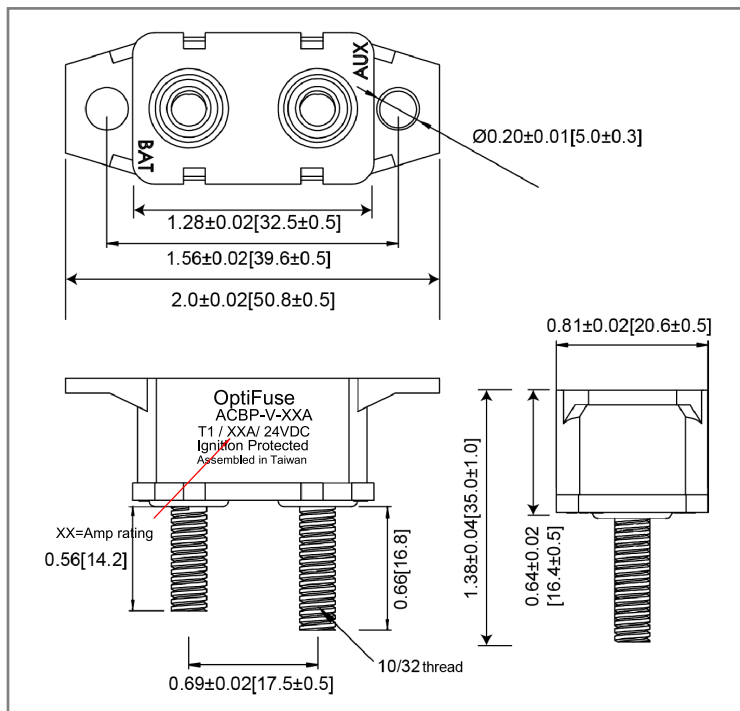


10-32 Stud (Shortstop Style) Circuit Breaker

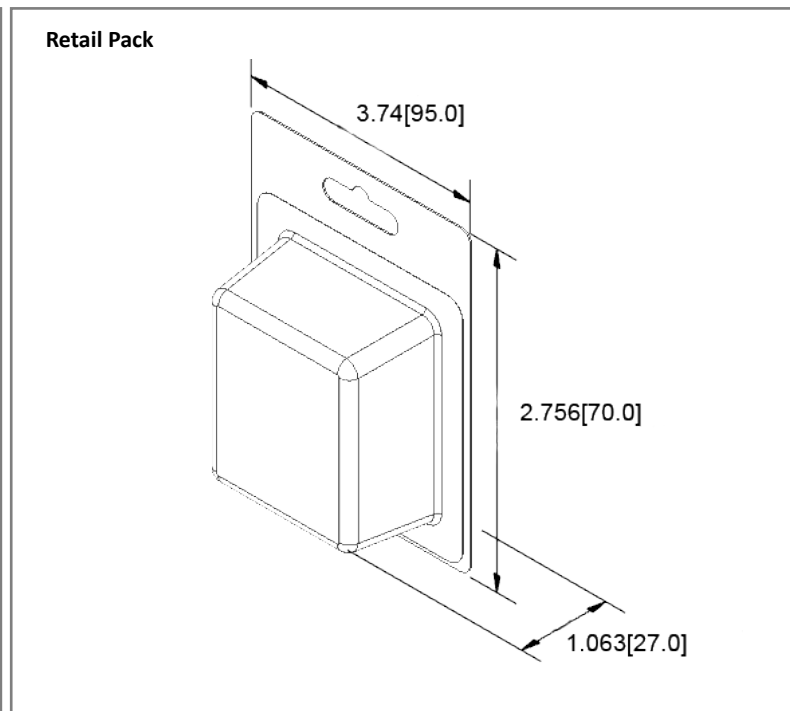
ACBP-V Colored Body



Mechanical Dimensions: Inches [mm]



Retail Pack: Inches [mm]



Part Numbers Information

| Amperage | Body Color | Bulk Part # | Retail Pack # Blister Card | Pack Size |
|----------|------------|-------------|-------------------------------|-----------|
| 10A | Gray | ACBP-V-10A | ACBP-V-10A-BP | 1 |
| 15A | Blue | ACBP-V-15C | ACBP-V-15C-BP | 1 |
| 20A | Yellow | ACBP-V-20C | ACBP-V-20C-BP | 1 |
| 25A | White | ACBP-V-25C | ACBP-V-25C-BP | 1 |
| 30A | Green | ACBP-V-30C | ACBP-V-30C-BP | 1 |
| 40A | Orange | ACBP-V-40C | ACBP-V-40C-BP | 1 |
| 50A | Red | ACBP-V-50C | ACBP-V-50C-BP | 1 |

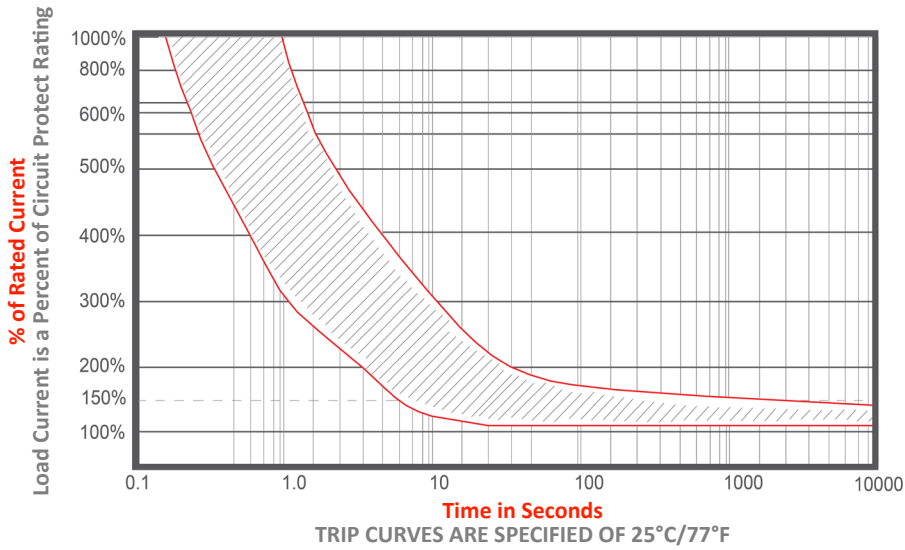
Electrical Specifications

| | |
|-----------------------|-----------------------|
| Voltage Rating | 12/24/32VDC |
| Reset Type | Type I - Auto Reset |
| Interrupting Rating | 4 Times Rated Current |
| Operation Temperature | -10°C ~ 60°C |
| Testing | SAE J553 |

Material Specifications

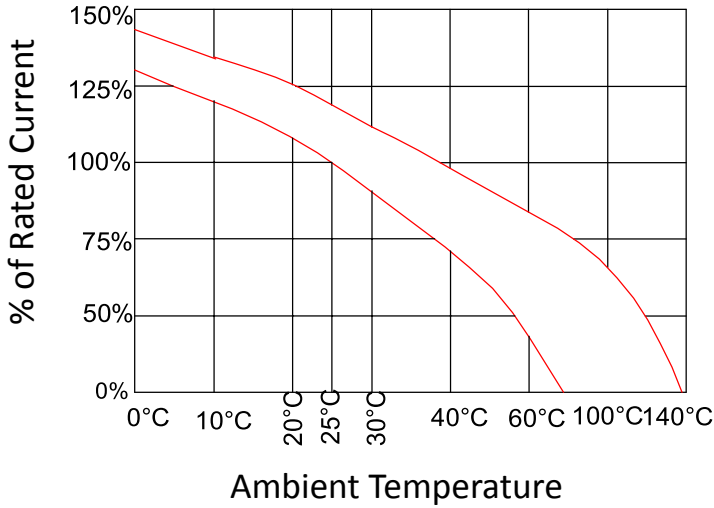
| | |
|-------------------------|---|
| Body Material | Thermoplastic (UL94V-0) |
| Terminals Material | Battery – Copper Plated, Auxiliary – Zinc Plated |
| Terminals Configuration | #10-32 stud |
| Studs Torque | 3.0±0.3 N.m |
| Mounting Torque | 1.0±0.1 N.m |
| Ignition Protection | SAE J1171 Ingress Protection IP63 |

Time vs. Percent of Rated Current



| % of Rated Current | Min Trip Time | Max Trip Time |
|--------------------|---------------|---------------|
| 100% | Hold | No Trip |
| 150% | | Trip in 1 hr |
| 200% | 4.0s | 40.0s |
| 300% | 1.2s | 12.0s |
| 400% | 0.6s | 5.0s |
| 500% | 0.4s | 2.8s |
| 600% | 0.3s | 1.8s |

Temperature Derating Curve



| Ambient Temperature | -10°C | 0°C | 10°C | 25°C | 40°C | 50°C | 60°C |
|---------------------|-------|------|------|------|------|------|------|
| Division Factor | 1.25 | 1.15 | 1.05 | 1.00 | 0.9 | 0.8 | 0.7 |

Rev Date of issue Revision Notes

Designed Approved

| | | | | |
|---|------------|-----------------|----|----|
| D | 08-14-2023 | Initial Drawing | RC | OF |
|---|------------|-----------------|----|----|