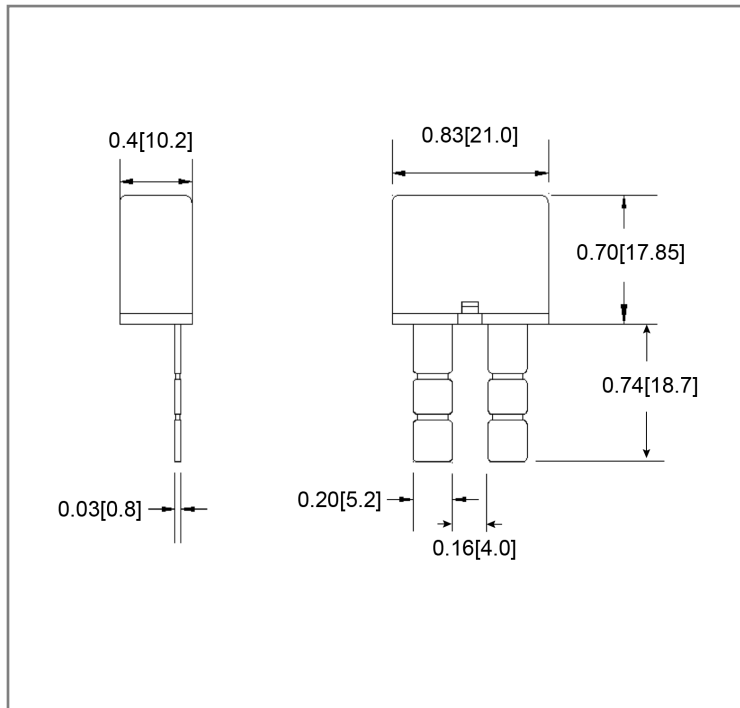
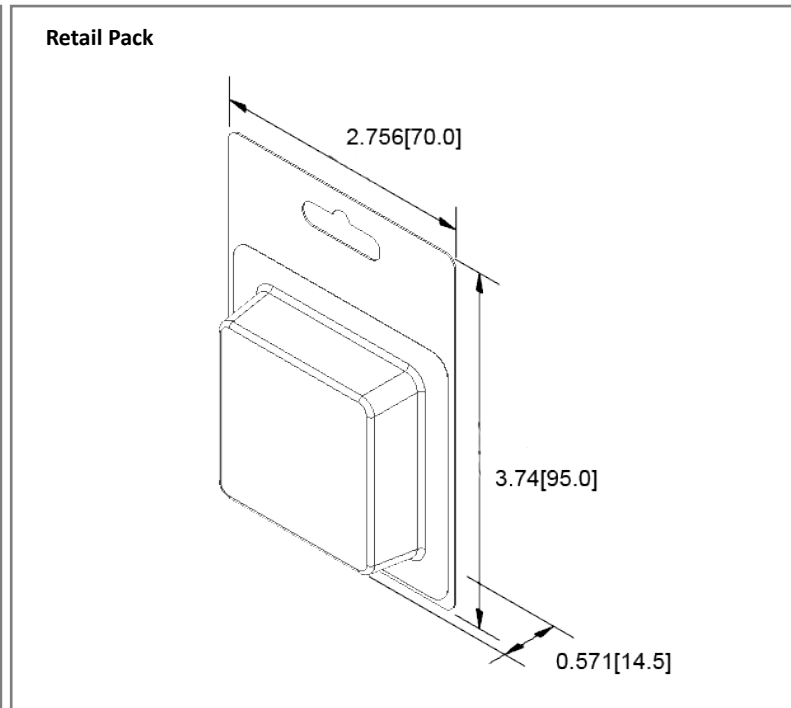


Mechanical Dimensions: Inches [mm]



Retail Pack: Inches [mm]



Part Numbers Information

| Amperage | Bulk Part # | Retail Pack # Blister Card | Pack Size |
|----------|-------------|-------------------------------|-----------|
| 10A | ACB2-PL-10A | ACB2-PL-10A-BP | 1 |
| 15A | ACB2-PL-15A | ACB2-PL-15A-BP | 1 |
| 20A | ACB2-PL-20A | ACB2-PL-20A-BP | 1 |
| 25A | ACB2-PL-25A | ACB2-PL-25A-BP | 1 |
| 30A | ACB2-PL-30A | ACB2-PL-30A-BP | 1 |
| 35A | ACB2-PL-35A | ACB2-PL-35A-BP | 1 |
| 40A | ACB2-PL-40A | ACB2-PL-40A-BP | 1 |

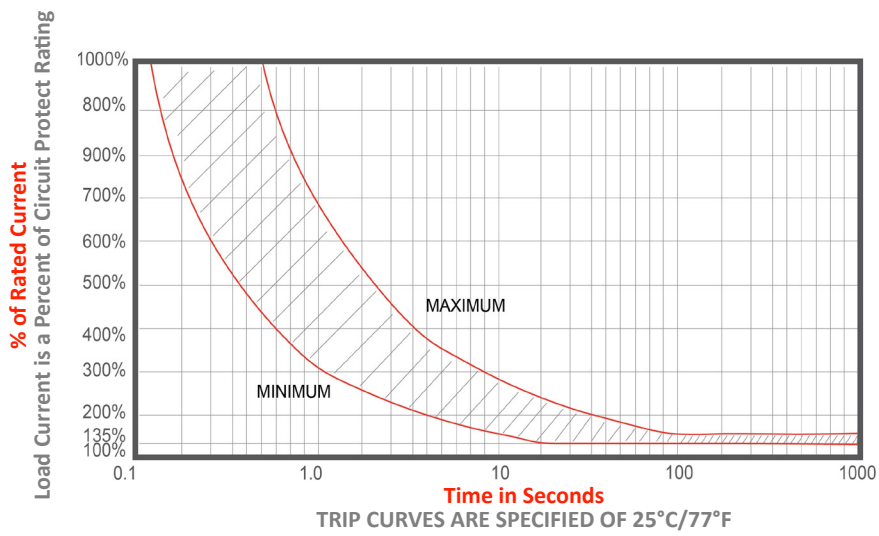
Electrical Specifications

| | |
|------------------------------|---------------------|
| Voltage Rating | 14VDC (12VDC @ 40A) |
| Reset Type | Type I - Auto Reset |
| Operation Temperature | -40 °C ~ 85°C |
| Testing | SAE J553 |

Material Specifications

| | |
|---------------------------------------|--------------|
| Universal Blade Style Circuit Breaker | |
| Body Material | Plated Steel |
| Terminals Material | Bronze |

Time vs. Percent of Rated Current



| Rev | Date of issue | Revision Notes | Designed | Approved |
|-----|---------------|--------------------------|----------|----------|
| B | 09-19-2023 | voltage/material updates | RC | OF |