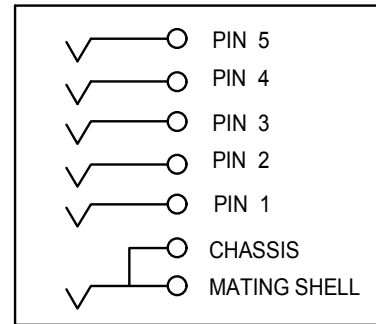
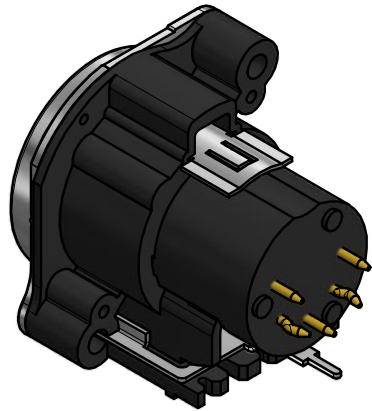
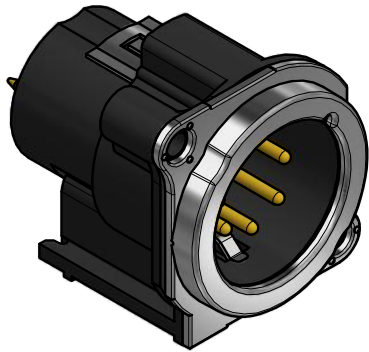
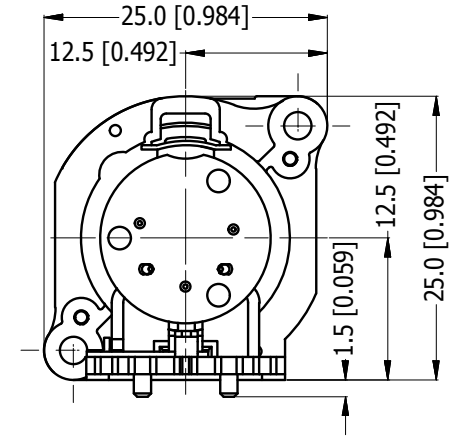
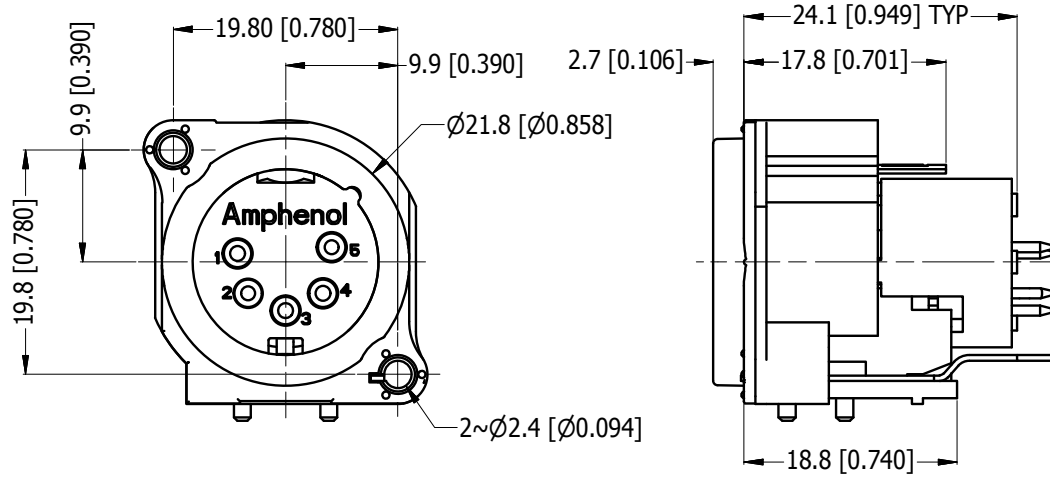


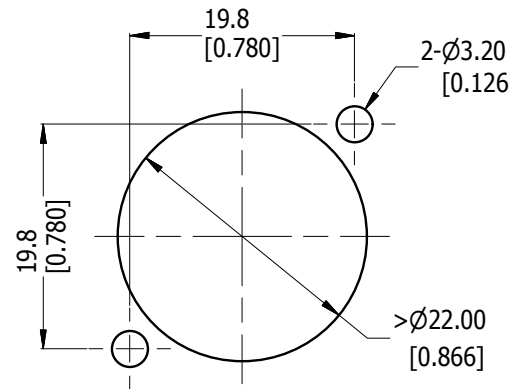
LEGEND = KEY PRODUCT CHARACTERISTICS



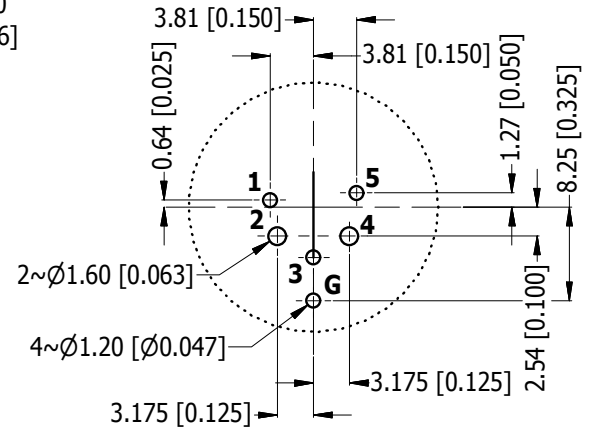
REVISION HISTORY				
REV	DESCRIPTION	DATE	BY	ECN
1	FIRST ISSUED	17-03-17	MH	----



SCHEMATIC CHART



PANEL CUT OUT
REAR VIEW



PCB LAYOUT
COMPONENT SIDE
TOLERANCE: $\pm 0.05\text{mm}$ [.002"]

PART NUMBER TABLE	
PART NUMBER	METAL FLANGE FINISH
AC5MBV-AU-PRE	SATIN NICKEL
AC5MBVB-AU-PRE	MATT BLACK

UNLESS OTHERWISE SPECIFIED TOLERANCE TO BE	
LINEAR	ANGULAR
X ± 0.5	X' ± 1
X.X ± 0.2	X.X' $\pm 30'$
X.XX ± 0.1	X.XX" $\pm 15'$

BREAK ALL SHARP EDGES AND REMOVE ALL BURRS

DO NOT SCALE

THIS DOCUMENT IS THE PROPERTY OF AMPHENOL AUSTRALIA PTY. LTD.
NO PART THEREOF MAY BE REPRODUCED AND USED
WITHOUT THE PRIOR WRITTEN CONSENT OF THE OWNER

MATERIAL: **SEE COMPONENT**

FINISH: **SEE COMPONENT**

DRN: M.H	DATE: 14-03-17
CKD: M.H	DATE: 17-03-17
APP'D: P.M	DATE: 17-03-17

DIMENSIONS IN MILLIMETRES



SCALE: **3:2** SIZE: **A4**

Amphenol Amphenol Australia Pty.Ltd,
22 Industry Blvd, Carrum Downs, VIC 3201

TITLE:
**AC5MBV/B-AU-PRE
B-TYPE VERTICAL
CUSTOMER DWG**

PART No.
SEE PN TABLE

DRAWING No. **55011256-000-2** SHEET **2/2**

CAD FILE 55011256000111