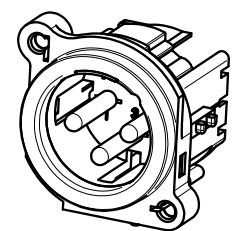
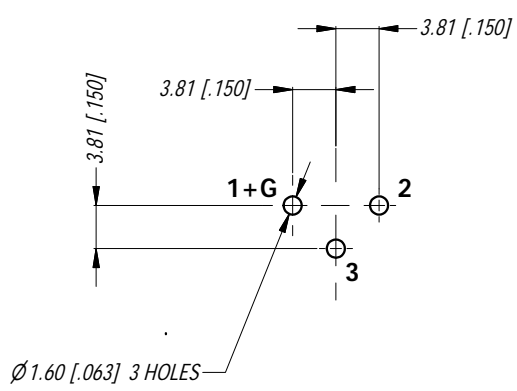
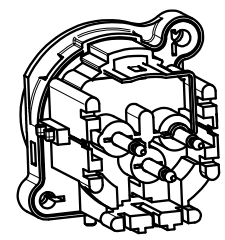


MIN MOUNTING PITCH (1:1)



3D VIEW (1:1)

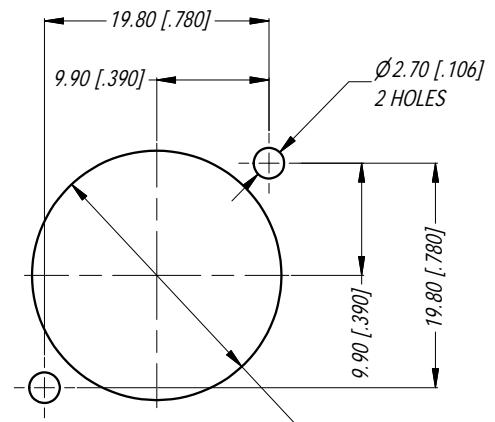


PCB LAYOUT

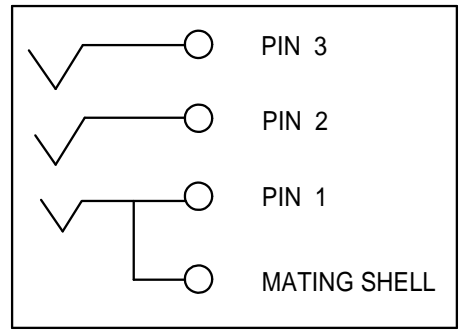
TOLERANCE: ± 0.05 [± .002]

NOTES: DIMENSIONS IN PARENTHESES ARE IN INCHES.

NOTE: SUFFIX "B" IN THE PART No. INDICATES BULK PACK



PANEL CUT OUT
REAR VIEW



SCHEMATIC CHART

REV	DESCRIPTION	DATE	BY	CHG No
2	ADD SUFFIX -B TO PART No	27/08/15	T.N	9318
1	ADD SCHEMATIC CHART	06/26/09	A.O	8791
0	FIRST ISSUE	03/09/07	T.N	8686

REVISION HISTORY

UNLESS OTHERWISE SPECIFIED TOLERANCE TO BE:		THIS DOCUMENT IS THE PROPERTY OF AMPHENOL AUSTRALIA PTY. LTD. NO PART THEREOF MAY BE REPRODUCED AND USED WITHOUT THE PRIOR WRITTEN CONSENT OF THE OWNER			
LINER	ANGULAR	CAD FILE:	DRN:	DATE:	
X ± 0.5	X° ± 1	55010485000211	T.N	04/09/07	
X.X ± 0.1	X.X° ± 30°	MATL:	CKD:	DATE:	
X.XX ± 0.05	X.XX° ± 15°	REFER TO COMPONENTS	P.M	06/26/09	
BREAK ALL SHARP EDGES AND REMOVE ALL BURRS		FINISH:	APP'D:	DATE:	
DO NOT SCALE		REFER TO COMPONENTS	P.M	06/26/09	
DIMENSIONS IN MILLIMETRES		THIRD ANGLE PROJECTION	SCALE:	PART No:	
			1.5:1	AC3MBV3-AU-B	

TITLE:		Amphenol	
XLR MALE B TYPE CONNECTOR		Amphenol Australia Pty.Ltd, 2 Fiveways Blvd, Keysborough, Vic3173	
CUSTOMER DWG		DRAWING NO.	SHEET
		55010485-000-2	2/2