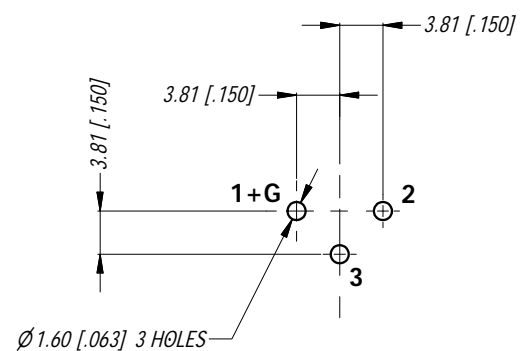


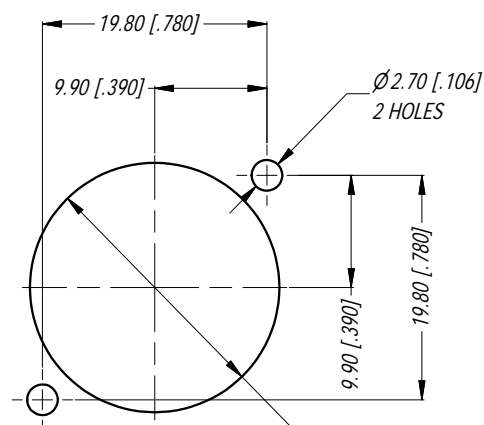
MIN MOUNTING PITCH (1:1)



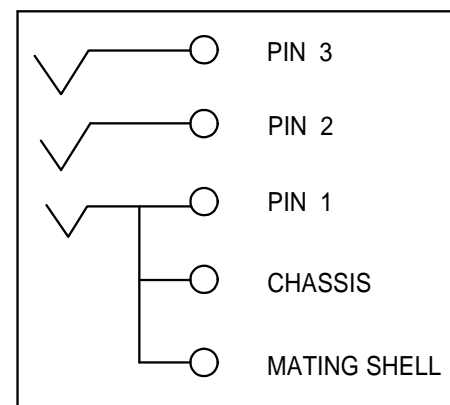
PCB LAYOUT

TOLERANCE: ± 0.05 [$\pm .002$]

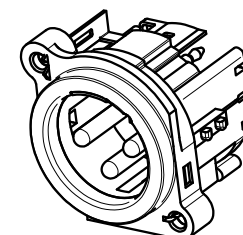
NOTES: DIMENSIONS IN PARENTHESES ARE IN INCHES.



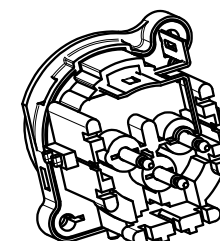
PANEL CUT OUT
REAR VIEW



SCHEMATIC CHART



3D VIEW (1:1)



REV	DESCRIPTION	DATE	BY	CHG No
2	ADD SUFFIX B TO PART No.	27/08/15	T.N	9318
1	ADD SCHEMATIC CHART	06/26/09	A.O	8793
0	FIRST ISSUE	03/09/07	T.N	8686

REVISION HISTORY

UNLESS OTHERWISE SPECIFIED TOLERANCE TO BE:		THIS DOCUMENT IS THE PROPERTY OF AMPHENOL AUSTRALIA PTY. LTD. NO PART THEREOF MAY BE REPRODUCED AND USED WITHOUT THE PRIOR WRITTEN CONSENT OF THE OWNER			
LINER	ANGULAR	CAD FILE:	DRN:	DATE:	
X ±0.5	X° ±1	55010483000211	T.N	04/09/07	
X.X ±0.1	X.X° ±30°	MATL:	P.N	DATE:	
X.XX ±0.05	X.XX° ±15°	REFER TO COMPONENTS		06/26/09	
BREAK ALL SHARP EDGES AND REMOVE ALL BURRS		APP'D:	P.M	DATE:	
DO NOT SCALE		REFER TO COMPONENTS		06/26/09	
DIMENSIONS IN MILLIMETRES		SCALE:	1.5:1	PART No:	AC3MBV1-AU-B

TITLE:
**XLR MALE
B TYPE CONNECTOR
CUSTOMER DWG**

Amphenol

Amphenol Australia Pty.Ltd. 2 Fiveways Blvd. Keysborough, Vic3173

DRAWING NO. **55010483-000-2** SHEET **2/2**

NOTE: SUFFIX "B" IN THE PART No. INDICATES BULK PACK