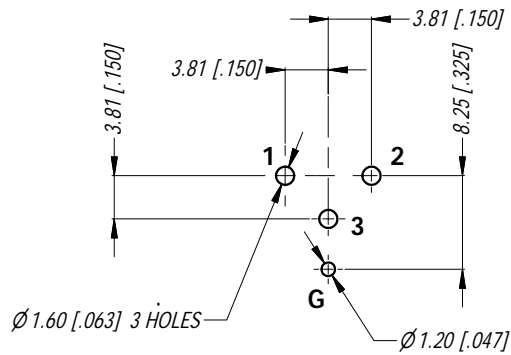


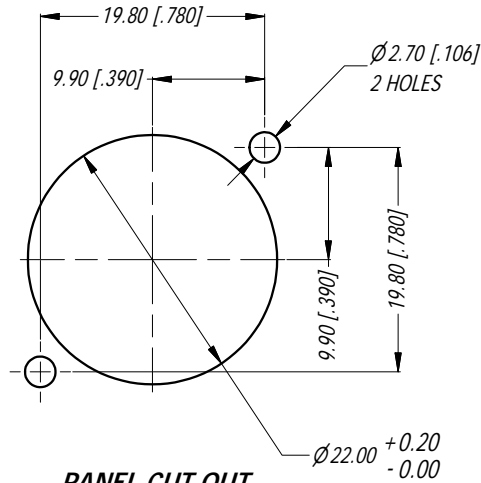
MIN MOUNTING PITCH (1:1)



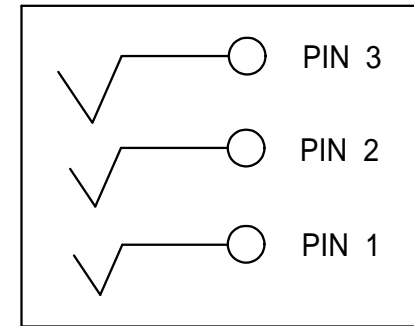
PCB LAYOUT

TOLERANCE: $\pm 0.05 [\pm .002]$

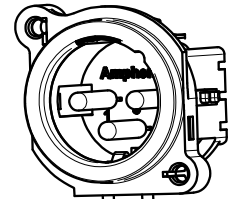
NOTE: DIMENSIONS IN PARENTHESES ARE IN INCHES.



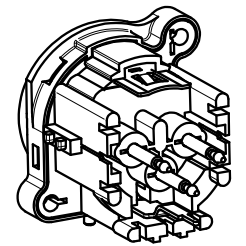
PANEL CUT OUT
REAR VIEW



SCHEMATIC CHART



3D VIEW (1:1)



REV	DESCRIPTION	DATE	BY	CHG No
2	ADD SUFFIX B TO PART No	27/08/15	T.N	9318
1	ADD SCHEMATIC CHART	06/26/09	A.O	8793
0	FIRST ISSUE	03/09/07	T.N	8686

REVISION HISTORY

TITLE: XLR MALE B TYPE CONNECTOR CUSTOMER DWG		Amphenol Amphenol Australia Pty.Ltd, 2 Fiveways Blvd, Keysborough, Vic3173	
DRAWING NO. 55010466-000-2	SHEET 2/2		

UNLESS OTHERWISE SPECIFIED TOLERANCE TO BE:		THIS DOCUMENT IS THE PROPERTY OF AMPHENOL AUSTRALIA PTY. LTD. NO PART THEREOF MAY BE REPRODUCED AND USED WITHOUT THE PRIOR WRITTEN CONSENT OF THE OWNER			
LINEAR	ANGULAR	CAD FILE:	DRN:	DATE:	
X ±0.5	X° ±1	55010466000211	T.N	04/09/07	
X.X ±0.1	X.X° ±30°	MATL:	P.M	DATE:	
X.XX ±0.05	X.XX° ±15°	REFER TO COMPONENTS		06/26/09	
BREAK ALL SHARP EDGES AND REMOVE ALL BURRS		APP'D:	P.M	DATE:	
DO NOT SCALE		REFER TO COMPONENTS		26/26/09	
DIMENSIONS IN MILLIMETRES		SCALE:	1.5:1	PART No:	AC3MBV-AU-B
		THIRD ANGLE PROJECTION		SIZE:	A4

NOTE: SUFFIX "B" IN THE PART No. INDICATES BULK PACK