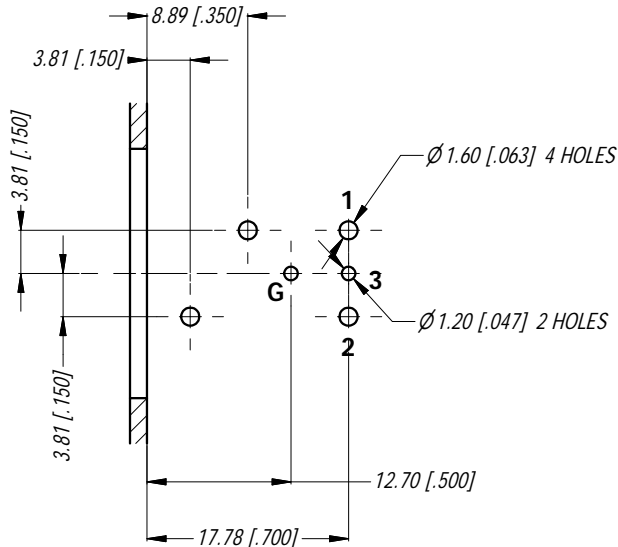


MIN MOUNTING PITCH (1:1)

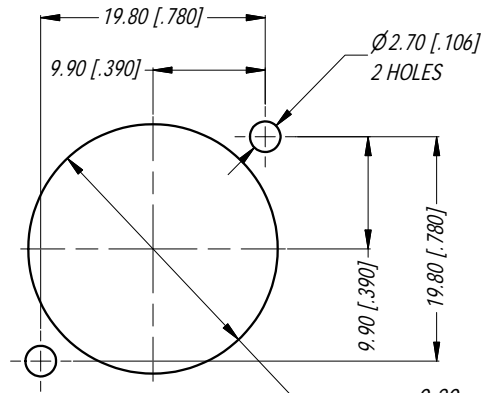


**PCB LAYOUT**

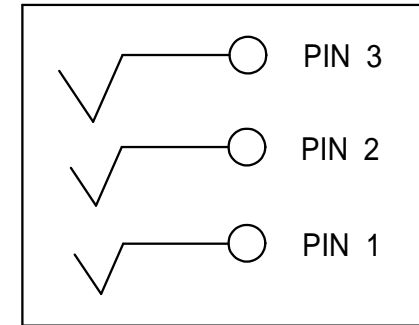
TOLERANCE:  $\pm 0.05$  [ $\pm 0.002$ ]

NOTE: DIMENSIONS IN PARENTHESES ARE IN INCHES.

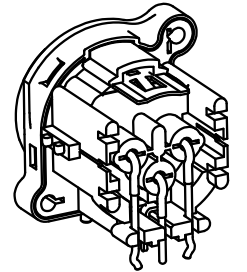
NOTE: SUFFIX "B" IN THE PART No. INDICATES BULK PACK



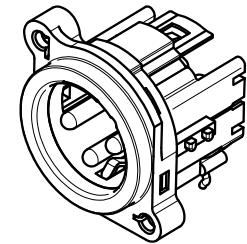
**PANEL CUT OUT  
REAR VIEW**



**SCHEMATIC CHART**



**3D VIEW (1:1)**



REV	DESCRIPTION	DATE	BY	CHG No
2	ADD SUFFIX B TO PART No.	27/08/15	T.N	9318
1	ADD SCHEMATIC CHART	06/26/09	A.O	8793
0	FIRST ISSUE	29/11/07	T.N	----

**REVISION HISTORY**

UNLESS OTHERWISE SPECIFIED TOLERANCE TO BE:		THIS DOCUMENT IS THE PROPERTY OF AMPHENOL AUSTRALIA PTY. LTD. NO PART THEREOF MAY BE REPRODUCED AND USED WITHOUT THE PRIOR WRITTEN CONSENT OF THE OWNER			
LINEAR	ANGULAR	CAD FILE:	DRN:	DATE:	
X ±0.5 X.X ±0.1 X.XX ±0.05	X° ±1 X.X° ±30 X.XX° ±15	55010515000211	T.N	29/11/07	
BREAK ALL SHARP EDGES AND REMOVE ALL BURRS	MATL:	REFER TO COMPONENTS	CKD:	M.N.H	DATE: 06/26/09
DO NOT SCALE	FINISH:	REFER TO COMPONENTS	APP'D:	P.M	DATE: 06/26/09
DIMENSIONS IN MILLIMETRES	THIRD ANGLE PROJECTION	SCALE:	1.5:1	PART No:	AC3MBHL-AU-B

TITLE: <b>XLR MALE B TYPE CONNECTOR CUSTOMER DWG</b>		<b>Amphenol</b> Amphenol Australia Pty.Ltd. 2 Fiveways Blvd. Keysborough, Vic3173	
DRAWING NO.	55010515-000-2	SHEET	2/2