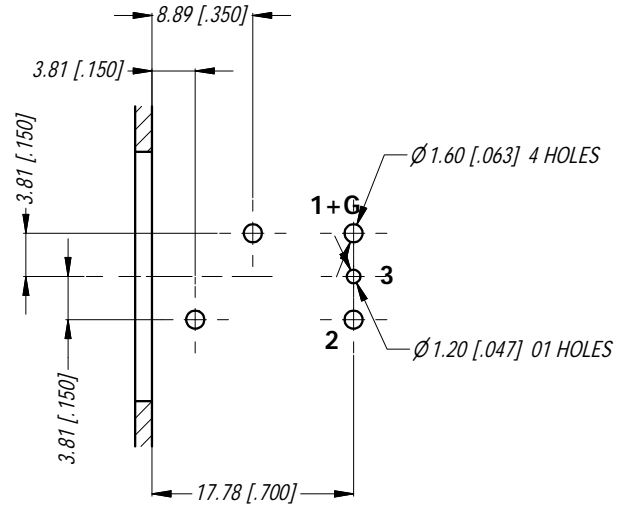
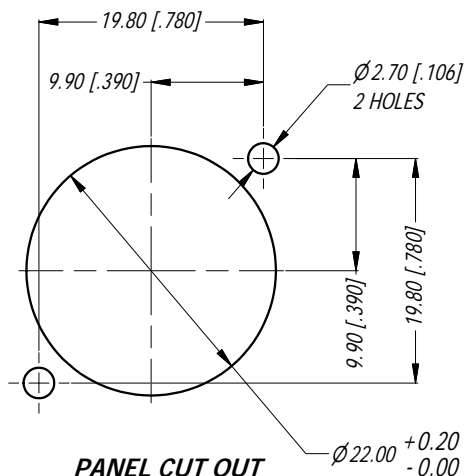


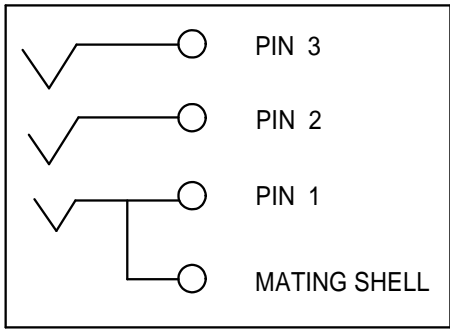
MIN MOUNTING PITCH (1:1)



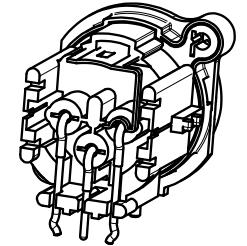
PCB LAYOUT



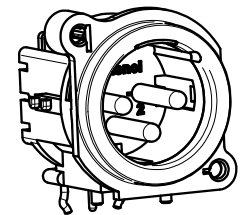
PANEL CUT OUT REAR VIEW



SCHEMATIC CHART



3D VIEW (1:1)



TOLERANCE: ± 0.05 [$\pm .002$]
 NOTE: DIMENSIONS IN PARENTHESES ARE IN INCHES.
 NOTE: SUFFIX "B" IN THE PART No. INDICATES BULK PACK

UNLESS OTHERWISE SPECIFIED TOLERANCE TO BE:		THIS DOCUMENT IS THE PROPERTY OF AMPHENOL AUSTRALIA PTY. LTD. NO PART THEREOF MAY BE REPRODUCED AND USED WITHOUT THE PRIOR WRITTEN CONSENT OF THE OWNER			
LINEAR	ANGULAR	CAD FILE: 55010481000211	DRN: T.N	DATE: 04/09/07	THIRD ANGLE PROJECTION
X ±0.5	X° ±1	MATL: REFER TO COMPONENTS	CKD: P.M	DATE: 06/26/09	
X.X ±0.1	X.X° ±30°	FINISH: REFER TO COMPONENTS	APP'D: P.M	DATE: 06/26/09	
X.XX ±0.05	X.XX° ±15°	DO NOT SCALE			
DIMENSIONS IN MILLIMETRES		SCALE: 1.5:1	PART No: AC3MBH3-AU	SIZE: A4	

REV	DESCRIPTION	DATE	BY	CHG No
2	ADD SUFFIX B TO PART No.	27/08/15	T.N	9318
1	ADD SCHEMATIC CHART	06/26/09	A.O	8793
0	FIRST ISSUE	03/09/07	T.N	8686

TITLE: **XLR MALE B TYPE CONNECTOR CUSTOMER DWG**

Amphenol
 Amphenol Australia Pty.Ltd. 2 Fiveways Blvd, Keysborough, Vic3173

DRAWING NO. **55010481-000-2** SHEET **2/2**