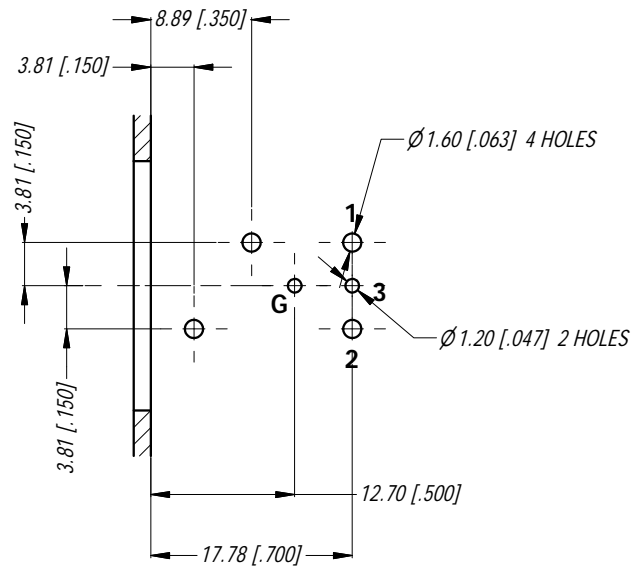


MIN MOUNTING PITCH (1 : 1)

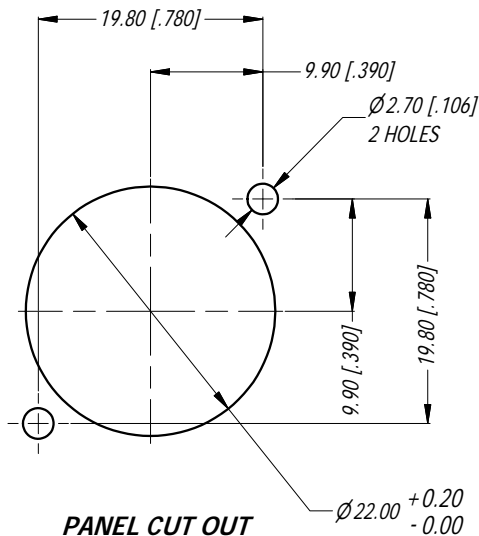


PCB LAYOUT

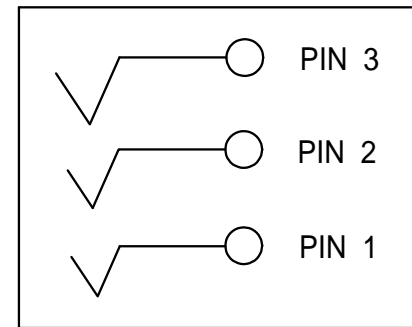
TOLERANCE: ± 0.05 [± 0.002]

NOTE: DIMENSIONS IN PARENTHESES ARE IN INCHES.

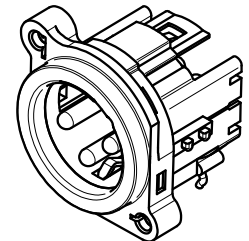
NOTE: SUFFIX "B" IN THE PART No. INDICATES BULK PACK



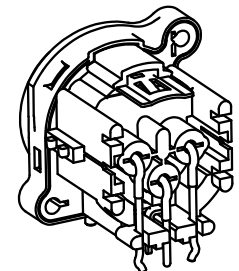
PANEL CUT OUT
REAR VIEW



SCHEMATIC CHART



3D VIEW (1 : 1)



UNLESS OTHERWISE SPECIFIED TOLERANCE TO BE:		THIS DOCUMENT IS THE PROPERTY OF AMPHENOL AUSTRALIA PTY. LTD. NO PART THEREOF MAY BE REPRODUCED AND USED WITHOUT THE PRIOR WRITTEN CONSENT OF THE OWNER			
LINEAR	ANGULAR	CAD FILE:	DRN:	DATE:	
X ±0.5	X° ±1	55010414000211	T.N	04/09/07	
X.X ±0.1	X.X° ±30°	MATL: REFER TO COMPONENTS	CKD: P.M	DATE: 06/26/09	
X.XX ±0.05	X.XX° ±15°	DO NOT SCALE	APP'D: P.M	DATE: 06/26/09	
BREAK ALL SHARP EDGES AND REMOVE ALL BURRS		FINISH: REFER TO COMPONENTS	SCALE: 1.5:1	PART No:	
DIMENSIONS IN MILLIMETRES		THIRD ANGLE PROJECTION			

REV	DESCRIPTION	DATE	BY	CHG No
2	ADD SUFFIX B TO PART No.	27/08/15	T.N	9318
1	ADD SCHEMATIC CHART	06/26/09	A.O	8793
0	FIRST ISSUE	03/09/07	T.N	8686

TITLE:		Amphenol	
XLR MALE B TYPE CONNECTOR		Amphenol Australia Pty.Ltd. 2 Fiveways Blvd. Keysborough, Vic3173	
CUSTOMER DWG		DRAWING NO.	SHEET
AC3MBH-AU-B		55010414-000-2	2/2