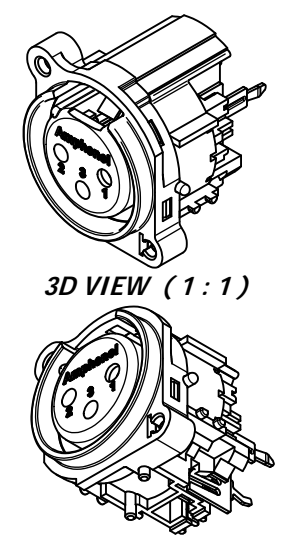
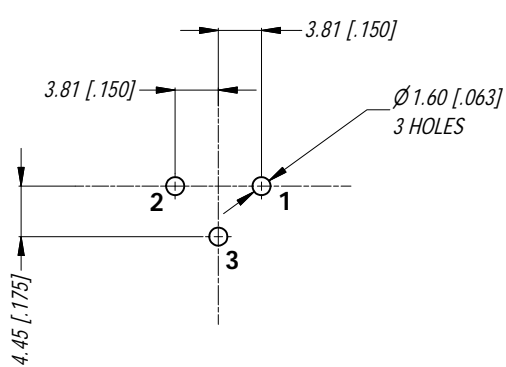


MIN MOUNTING PITCH (1:1)



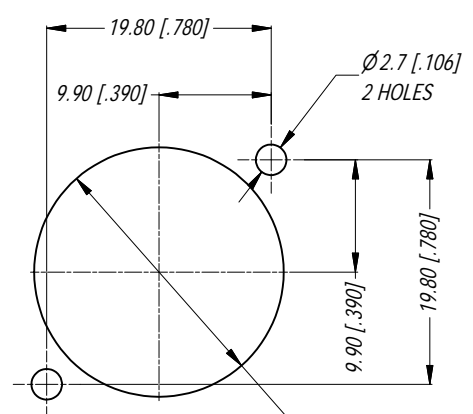
3D VIEW (1:1)



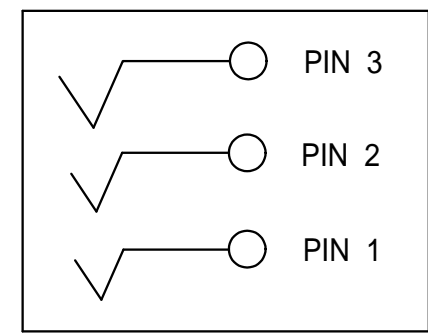
PCB LAYOUT

LAYOUT TOLERANCE : ±0.05 [±.002 in]

NOTE: DIMENSIONS IN PARENTHESES ARE IN INCHES.



PANEL CUT OUT REAR VIEW



SCHEMATIC CHART

NOTE: SUFFIX "B" IN THE PART No INDICATES BULK PACK.

UNLESS OTHERWISE SPECIFIED TOLERANCE TO BE:		THIS DOCUMENT IS THE PROPERTY OF AMPHENOL AUSTRALIA PTY. LTD. NO PART THEREOF MAY BE REPRODUCED AND USED WITHOUT THE PRIOR WRITTEN CONSENT OF THE OWNER			CAD FILE: 55010495000221		DRN: T.N	DATE: 17/04/07	TITLE: XLR FEMALE B TYPE CONNECTOR CUSTOMER DWG		Amphenol	
LINEAR		ANGULAR		MATERIAL: REFER TO COMPONENTS		CKD: P.M	DATE: 07/04/09	FINISH: REFER TO COMPONENTS		DRAWING NO. 55010495-000-2		SHEET
X ±	X' ± 1	X' ± 1	X' ± 30°	DO NOT SCALE		APP'D: P.M	DATE: 07/04/09	DIMENSIONS IN MILLIMETRES		SCALE: 3:2		PART No: AC3FBVL-AU-B
X.X ±	X.X' ± 15°			THIRD ANGLE PROJECTION		SCALE: 3:2		PART No: AC3FBVL-AU-B		SIZE: A4		55010495-000-2
BREAK ALL SHARP EDGES AND REMOVE ALL BURRS				SCALE: 3:2		PART No: AC3FBVL-AU-B		SIZE: A4		SHEET 2/2		

REV	DESCRIPTION	DATE	BY	CHG NO
2	ADD SUFFIX B TO PART No	27/08/15	T.N	9318
1	UPDATE FEMALE SHELL	2/4/2009	A.O	8793
0	FIRST ISSUE	03/09/07	T.N	8686

Amphenol Australia Pty.Ltd. 2 Fiveways Blvd, Keysborough, Vic3173	
DRAWING NO. 55010495-000-2	SHEET 2/2