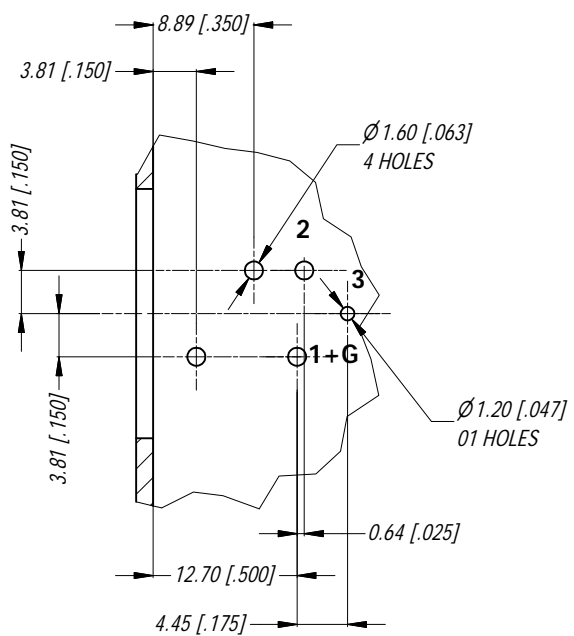


MIN MOUNTING PITCH (1:1)

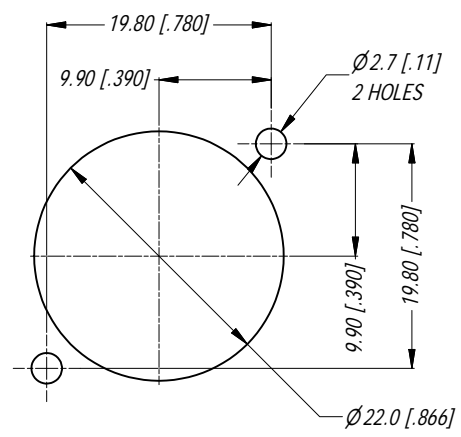


PCB LAYOUT

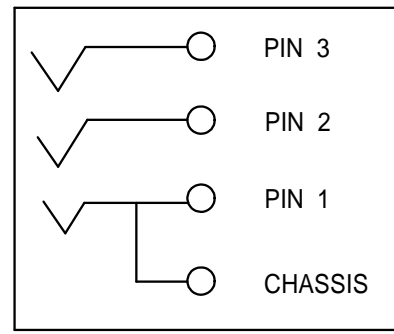
LAYOUT TOLERANCE : ±0.05 [0.002 in]

NOTE: DIMENSIONS IN PARENTHESES ARE IN INCHES.

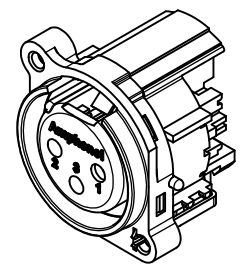
NOTE: SUFFIX "B" IN THE PART No. INDICATES BULK PACK.



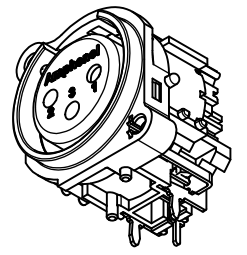
**PANEL CUT OUT
REAR VIEW**



SCHEMATIC CHART



3D VIEW (1:1)



UNLESS OTHERWISE SPECIFIED TOLERANCE TO BE:		THIS DOCUMENT IS THE PROPERTY OF AMPHENOL AUSTRALIA PTY. LTD. NO PART THEREOF MAY BE REPRODUCED AND USED WITHOUT THE PRIOR WRITTEN CONSENT OF THE OWNER			
LINEAR	ANGULAR	CAD FILE:	DRN:	DATE:	
X ±	X' ± 1	55010492000221	T.N	17/04/07	
X.X ±	X.X' ± 30°	MATL: REFER TO COMPONENTS	CKD: P.M	DATE: 07/04/09	
X.XX ±	X.X'X' ± 15°	DO NOT SCALE	APP'D: P.M	DATE: 07/04/09	
DIMENSIONS IN MILLIMETRES		SCALE: 3:2	PART No: AC3FBHL3-AU-B	SIZE: A4	

REV	DESCRIPTION	DATE	BY	CHG NO
2	ADD SUFFIX B TO PART No.	28/07/15	T.N	9318
1	UPDATE FEMALE SHELL	2/4/2009	A.O	8793
0	FIRST ISSUE	18/09/07	T.N	8686

TITLE:		Amphenol	
XLR FEMALE B TYPE CONNECTOR		Amphenol Australia Pty.Ltd. 2 Fiveways Blvd. Keysborough, Vic3173	
CUSTOMER DWG		DRAWING NO. 55010492-000-2	SHEET 2/2