

## ABT-30IR

Ver20.2

### ● Features

- Built-in micro controller for decoding infrared signal to avoid interference from the noise.
- With bi-color status LED (Power on: **Red**/ Proximity: **Blue**).
- Adjustable proximity range: **3~15cm** (Default: 15 cm), depending on the reflection rate of different object.
- Support **adjustable opening time 0.5~20 Sec.** (Default: 0.5 Sec.) or **latched ON or OFF output**.
- With **N.C.** and **N.O.** output.

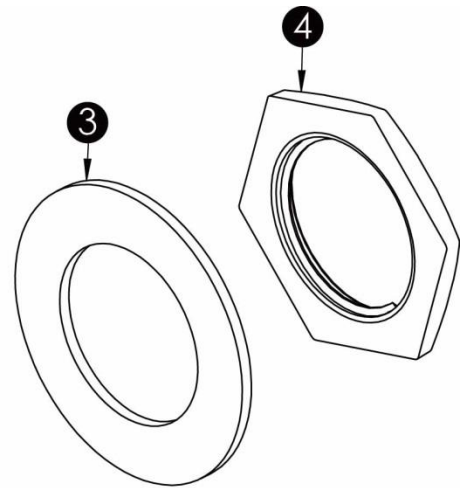
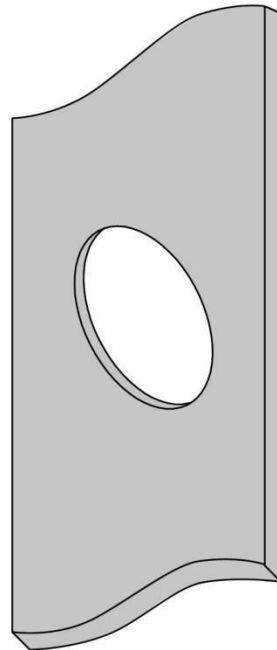
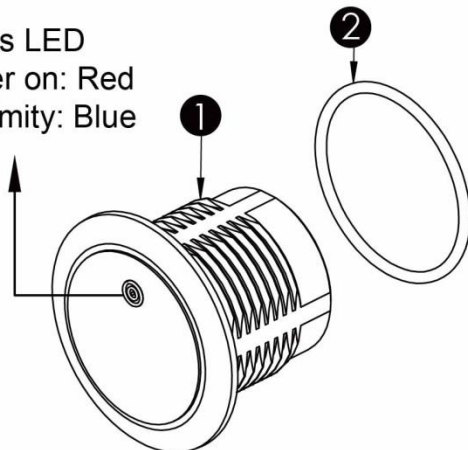
### ● Specification

Material	Polycarbonate fire & UV proof material
Waterproof	IP65
Power supply	DC 12V 1A
Relay contact rating	1A@ 30 VDC
Current	DC 12V Standby Current: 25mA±5% Operating Current: 37mA±5%
Operating temperature	-20°C ~ 75°C
Life	100,000 cycles (1A 30VDC, 0.3A 125VDC) 50,000,000 cycles (Dry Contact)

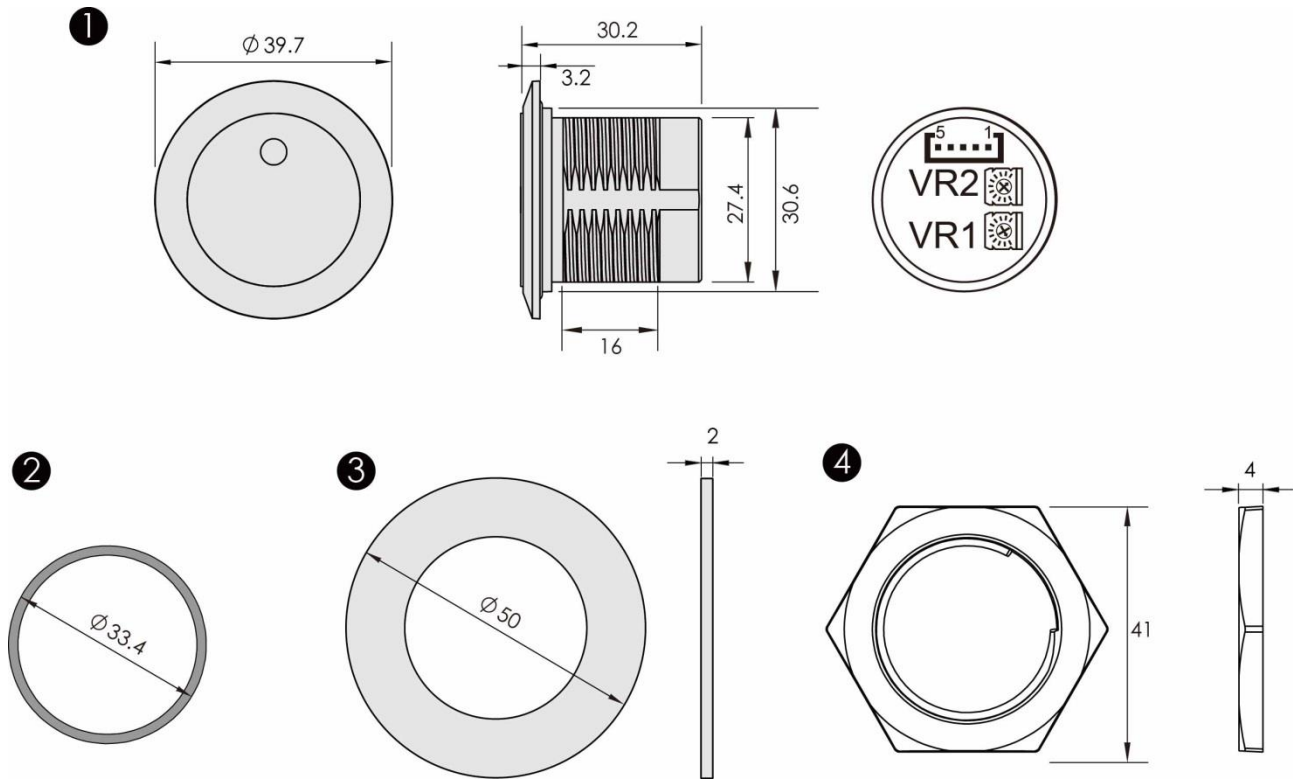
### ● Appearance



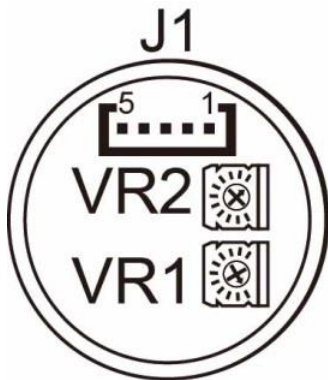
Status LED  
Power on: Red  
Proximity: Blue



● Dimension: Unit(mm)



● Pin definition



J1 - Power and relay output			
	Pin	Color	Function
	1	Red	+12V
	2	Black	GND
	3	Grey	COM.
	4	Brown	N.O.
5	Yellow	N.C.	

VR1 - Adjustable opening time. (Unit: Sec.)	
	<b>Adjustable opening time</b> : 0.5~20 Sec. <b>Latch ON or OFF:</b> Turn right to the end <b>(Default: 0.5 Sec.)</b>

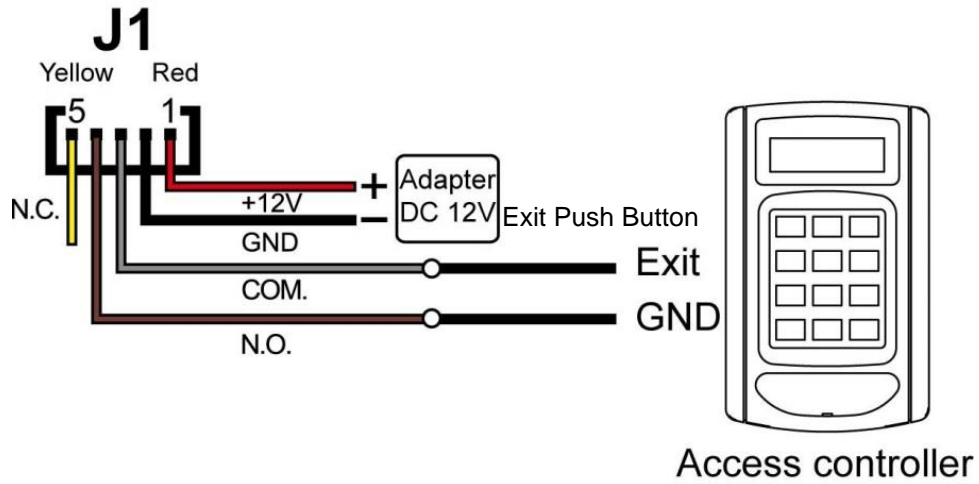
VR2 - Adjustable proximity range. (Unit: cm)	
	<b>Adjustable proximity range:</b> 3~15cm <b>(Default: 15 cm)</b>

- **Note**

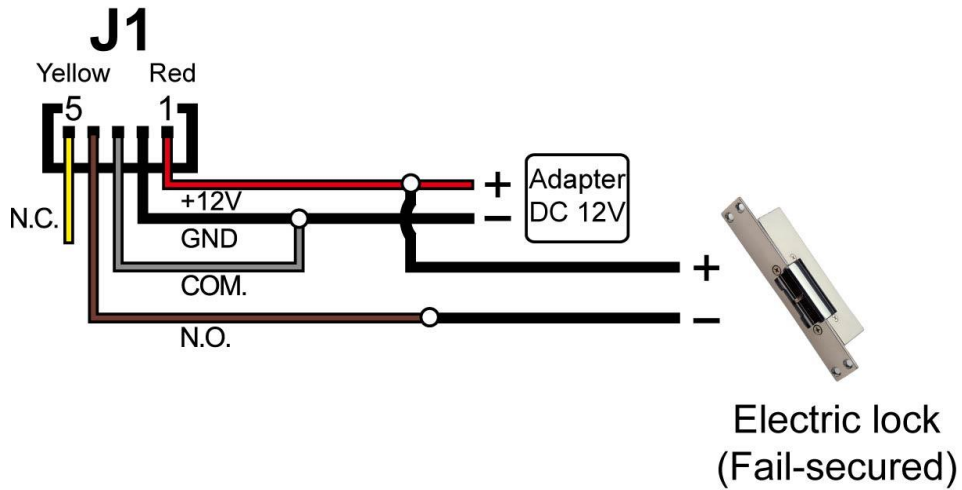
- Please make sure the voltage range before installing to avoid product damage.
- Please check no other object in front of the infrared sensor before turning on the power.
- Please re-transmission power or proximity the infrared sensor three times after adjusting VR1.
- Attention: Please do not turn the internal PCB to prevent light leak and further act incorrectly.

- **Wiring diagram**

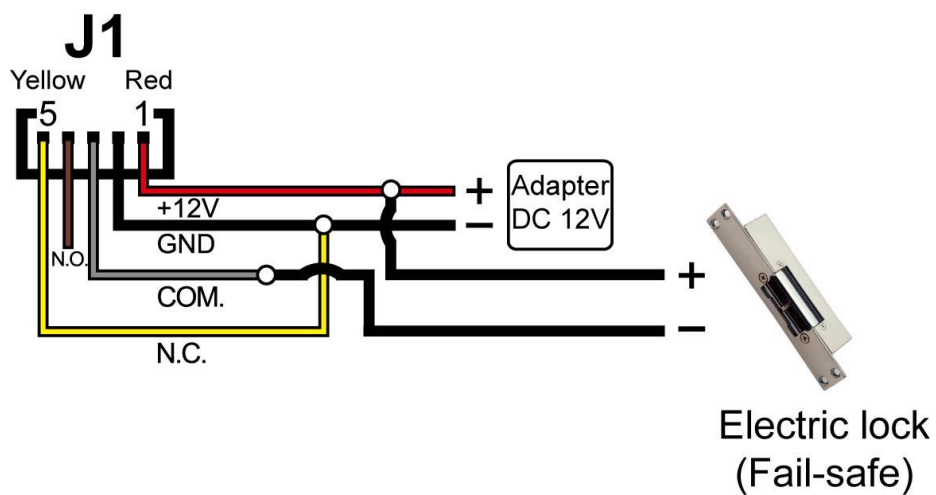
**Connect to access controller**



**Connect to electric lock (Fail-secured)**



### Connect to electric lock (Fail-safe)



### ● Packing list

Manual	: 1 pcs
5 Pin connector	: 1 pcs

**\* We reserve the right to change the specification without prior notice or obligation!**

W-04-ABT-30IR/E