




SPECIFICATION SHEET

SPECIFICATION SHEET NO.	N0626-ABS2100000S20A
DATE	June 26, 2021
REVISION	A0
DESCRIPTION	SMD Single Phase Glass Passivated Bridge Rectifier, ABS Series, ABS210 Type 4 Pins, Reverse Voltage 1000V Max. Forward Current 2.0A Max. Operating Temp. Range -55°C ~+150°C, Package in Tape/Reel, 5000pcs/R RoHS/RoHS III compliant
CUSTOMER	
CUSTOMER PART NUMBER	
CROSS REF. PART NUMBER	
ORIGINAL PART NUMBER	MDD ABS210
PART CODE	ABS2100000S20A

VENDOR APPROVE			
Issued/Checked/Approved			
DATE: June 26, 2021			

CUSTOMER APPROVE
DATE:

SMD BRIDGE RECTIFIER ABS SERIES

MAIN FEATURE



- Reliable low cost construction utilizing molded plastic technique
- Small size simple installation
- High surge current capability
- High temperature soldering guaranteed 260 °C/10 seconds, at 5 lbs (2.3kg) tension

APPLICATION

- For printed circuit board

RFQ

[Request For Quotation](#)

PART CODE GUIDE

ABS	2100000	S	20A
1	2	3	4

- 1) **ABS**: SMD Single Phase Glass Passivated Bridge Rectifier, 4 pins, ABS Series
- 2) **2100000**: Type code for original part number ABS210
- 3) **S**: Package code, Tape/reel, 3000pcs/reel.
- 4) **20A**: Specification code for Reverse Voltage 1000V Max. Forward Current 1.0A Max.

MORE ITEMS AVAILABLE

ABS2200000S220	ABS2400000S240	ABS2600000S260	ABS2800000S280	ABS2100000S20A

SMD BRIDGE RECTIFIER ABS SERIES

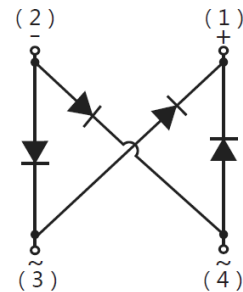
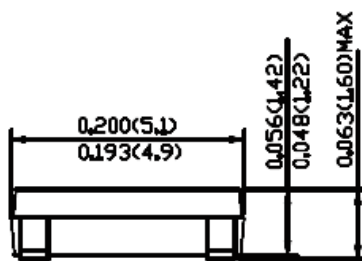
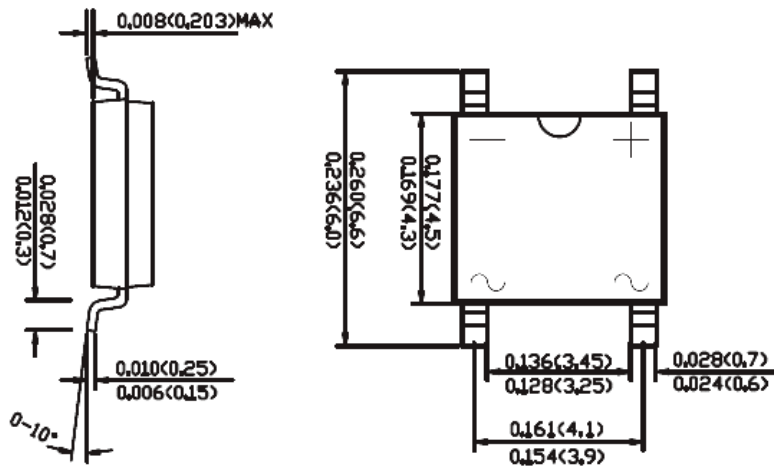
DIMENSION (Unit: Inch/mm)

Image for reference

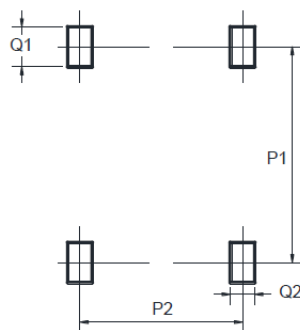


Marking: ABS210

ABS



Recommend Pad Layout



Symbol	Min. (Inch)	Min. (mm)
P1	0.225	5.72
P2	0.157	4.00
Q1	0.0393	1.00
Q2	0.0354	0.90

SMD BRIDGE RECTIFIER ABS SERIES
MECHANICAL DATA

Case	Terminals	Polarity	Mounting Position	Weight per piece
JEDEC ABS molded plastic body	Solder plated, Solderable per MIL-STD-750, Method 2026	Polarity symbol marking on case	Any	-

MAX. RATING & CHARACTERISTICS

Parameter	SYMBOLS	VALUE			UNITS
		Min.	Typical	Max.	
Repetitive peak reverse voltage	V _{RRM}			1000	Volts
RMS voltage	V _{RMS}			700	Volts
DC blocking voltage	V _{DC}			1000	Volts
Average forward output rectified current	I _{AV}			2.0	A
Peak forward surge current 8.3ms single half sine-wave superimposed on rated load (JEDEC Method)	I _{FSM}		60		A
Instantaneous forward voltage at 0.4A	V _F			1.1	Volts
DC reverse current at rated DC blocking voltage	I _R			5.0	μA
				0.5	mA
Junction capacitance	C _J		-		pF
Thermal resistance (see Note 4)	R _{QJA}		40		°C/W
Operating junction temperature range	T _J	-55		+150	
Storage temperature range	T _{STG}	-55		+150	°C

Note

1. Ratings at 25 C ambient temperature unless otherwise specified. Single phase half-wave 60Hz, resistive or inductive load, for capacitive load current derate by 20%.
2. On glass epoxy PCB mounted on 0.05*0.05" (1.3*1.3mm) pads
3. On aluminum substrate PCB with on area of 0.80*0.8" (20*20mm) mounted on 0.05*0.05" (1.3*1.3mm) solder pads
4. Thermal resistance from junction to ambient and junction to lead mounted on PCB with 0.2"*0.2")5.0*5.0mm) copper pads.

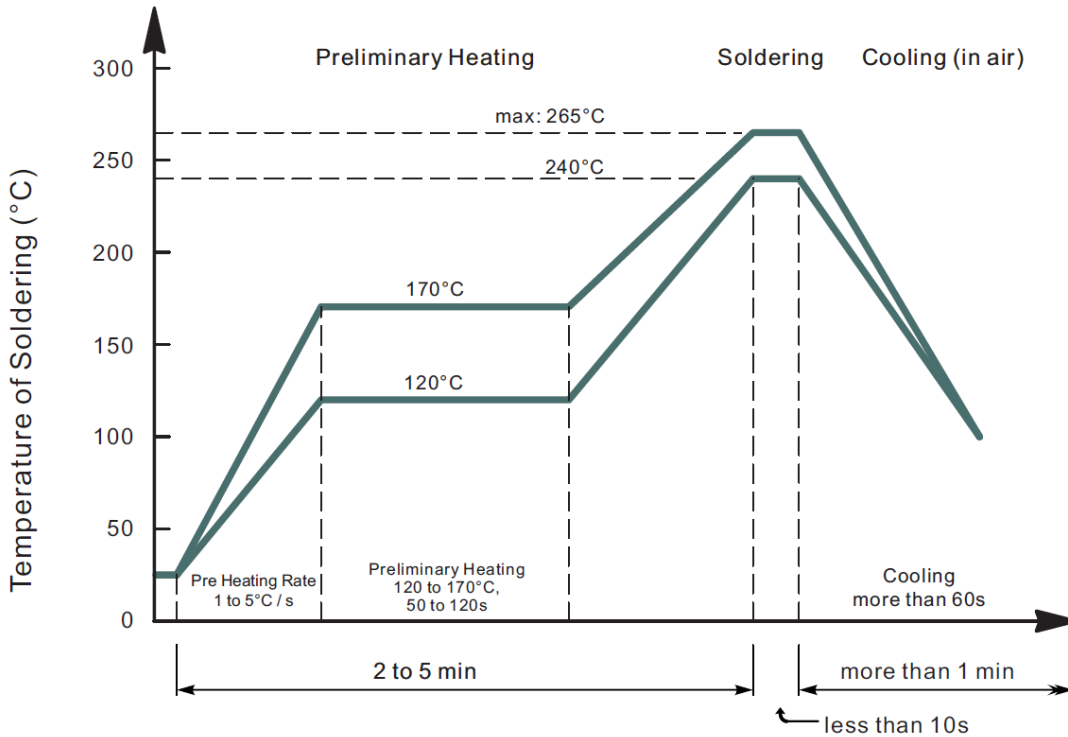
SMD BRIDGE RECTIFIER ABS SERIES

RELIABILITY

Number	Experiment Items	Experiment Method And Conditions	Reference Documents
1	Solder Resistance Test	Test 260°C± 5°C for 10 ± 2 sec. Immerse body into solder 1/16" ± 1/32"	MIL-STD-750D METHOD-2031.2
2	Solderability Test	230°C ±5°C for 5 sec.	MIL-STD-750D METHOD-2026.1 0
3	Pull Test	1 kg in axial lead direction for 10 sec.	MIL-STD-750D METHOD-2036.4
4	Bend Test	0.5Kg Weight Applied To Each Lead, Bending Arcs 90 °C ± 5 °C For 3 Times	MIL-STD-750D METHOD-2036.4
5	High Temperature Reverse Bias Test	TA=100°C for 1000 Hours at VR=80% Rated VR	MIL-STD-750D METHOD-1038.4
6	Forward Operation Life Test	TA=25°C Rated Average Rectified Current	MIL-STD-750D METHOD-1027.3
7	Intermittent Operation Life Test	On state: 5 min with rated IRMS Power Off state: 5 min with Cool Forced Air. On and off for 1000 cycles.	MIL-STD-750D METHOD-1036.3
8	Pressure Cooker Test	15 PSIG, TA=121°C, 4 hours	MIL-S-19500 APPENOIXC
9	Temperature Cycling Test	-55°C~+125°C; 30 Minutes For Dwelled Time 5 minutes for transferred time. Total: 10 cycles.	MIL-STD-750D METHOD-1051.7
10	Thermal Shock Test	0°C for 5 minutes., 100°C for 5minutes, Total: 10 cycles	MIL-STD-750D METHOD-1056.7
11	Forward Surge Test	8.3ms Single Sale Sine-wave One Surge.	MIL-STD-750D METHOD-4066.4
12	Humidity Test	TA=65°C, RH=98% for 1000 hours.	MIL-STD-750D METHOD-1021.3
13	High Temperature Storage life Test	150°C for 1000 Hours	MIL-STD-750D METHOD-1031.5

SMD BRIDGE RECTIFIER ABS SERIES

SUGGESTED REFLOW PROFILE (For Reference Only)



- Recommended peak temperature is over 245°C, If peak temperature is below 245 °C, you may adjust the following parameters; time length of peak temperature (longer), time length of soldering (longer), thickness of solder paste (thicker)
- Welding shall not exceed 2 times
- Remark: lead free solder paste (96.5 sn/3.0 Ag/0.5Cu)

SMD BRIDGE RECTIFIER ABS SERIES

RATINGS AND CHARACTERISTIC CURVES (For Reference Only)

FIG.1- MAXIMUM NON-REPETITIVE FORWARD SURGE CURRENT PER BRIDGE ELEMENT

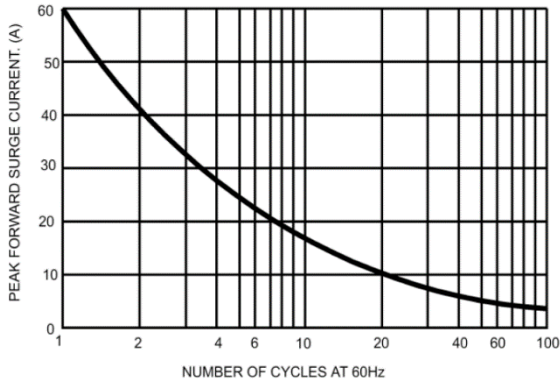


FIG.2- MAXIMUM FORWARD CURRENT DERATING CURVE

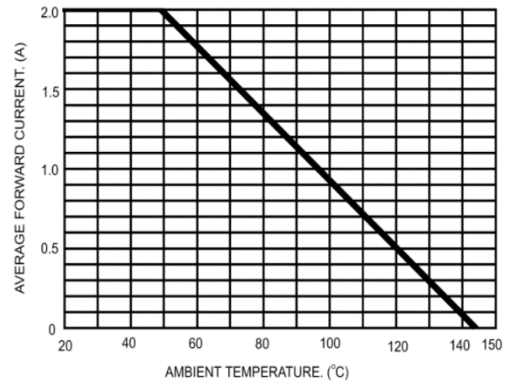


FIG.3- TYPICAL INSTANTANEOUS FORWARD CHARACTERISTICS PER BRIDGE ELEMENT

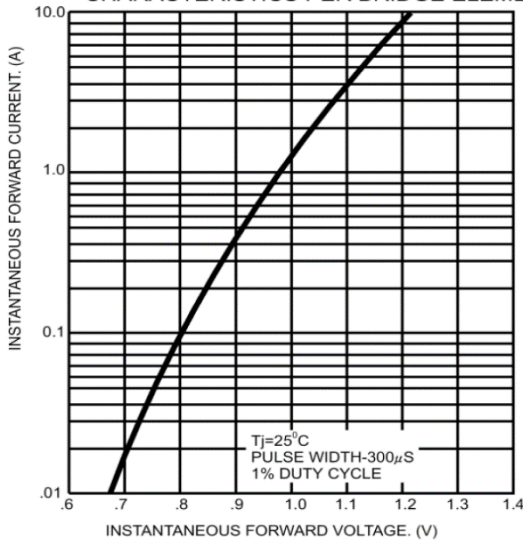
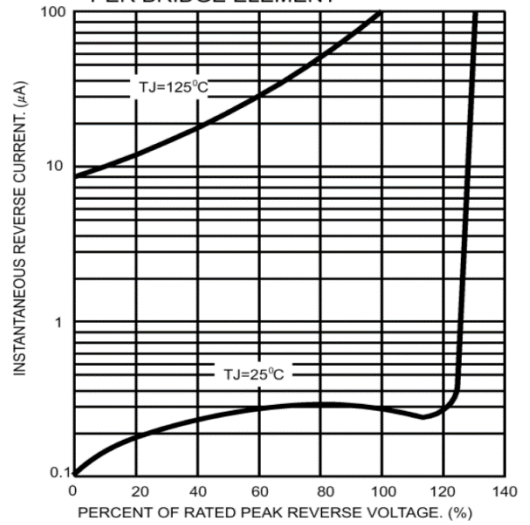


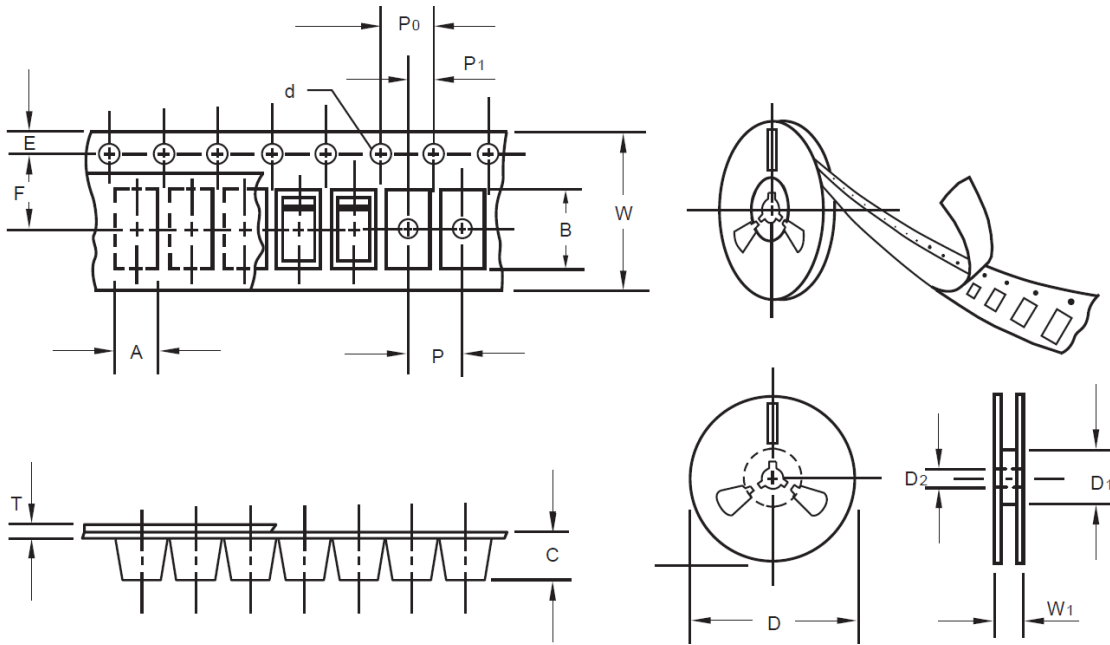
FIG.4- TYPICAL REVERSE CHARACTERISTICS PER BRIDGE ELEMENT



SMD BRIDGE RECTIFIER ABS SERIES

TAPE/REEL (Unit: mm)

All Devices are packed in accordance with EIA standard RS-481-A and specifications.

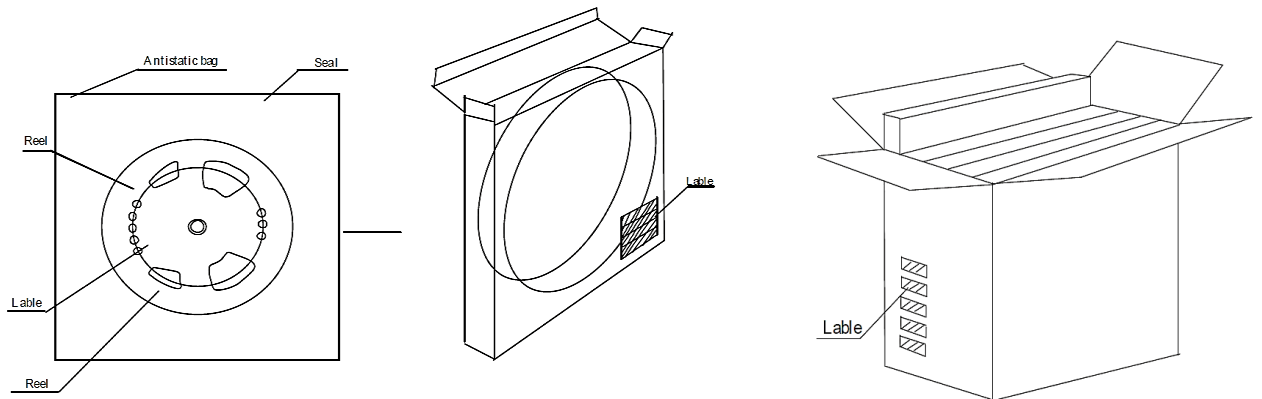


Item	Symbol	Tolerance	ABS
Carrier width	A	0.1	2.8
Carrier Length	B	0.1	5.33
Carrier Depth	C	0.1	2.36
Sprocket hole	d	0.05	1.50
13" Reel outside diameter	D	2.0	330.00
13" Reel inner diameter	D1	Min.	50.00
7" Reel outside diameter	D	-	-
7" Reel inner diameter	D1	-	-
Feed hole diameter	D2	0.5	13.00
Sprocket hole position	E	0.1	1.75
Punch hole position	F	0.1	5.50
Punch hole pitch	P	0.1	4.00
Sprocket hole pitch	P0	0.1	4.00
Embossment center	P1	0.1	2.0
Overall tape thickness	T	0.1	0.28
Tape width	W	0.3	12.00
Reel width	W1	1.0	18.0

SMD BRIDGE RECTIFIER ABS SERIES

PACKAGE

Case Code	Reel Size	MPQ (pcs)	Component Spacing (mm)	Qty. Per Box (pcs)	Inner Box L*W*H (mm)	Reel Size (mm)	Carton size L*W*H (mm)	Qty. Per Carton (pcs)	G. W (kg)
ABS	13"	3,000	-	6,000	290*290*40	280	300*300*360	48,000	10.0



DISCLAIMER

NextGen Component, Inc. reserves the right to make changes to the product(s) and or information contained herein without notice. No liability is assumed as a result of their use or application. No rights under any patent accompany the sale of any such product(s) or information